

Item # _____

Quantity _____

All-Terrain Meal Delivery Cart

Stainless Steel



Model 811



Designed For 'To-Go' Meal Order Delivery To Remote Locations

Benefits

- Ideal for meal delivery in urban areas
- Branding graphics available

Features

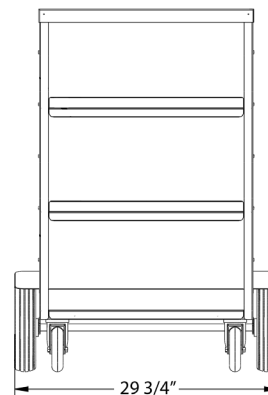
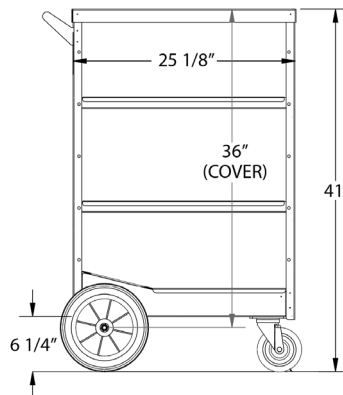
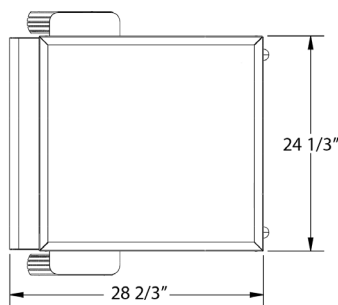
- Welded stainless steel construction is easy to clean and sanitize
- Solid stainless steel shelves
- Two shelves are height-adjustable for maximum meal capacity
- Water-resistant nylon cover with flapped front and velcro closures
- Cover available in multiple colors with custom logo graphics

Casters

- Heavy-duty 8" pneumatic wheels and 5" swivel casters for easy transport over uneven surfaces

Product Information

Model	Overall Size			Ship Wt.
	W	D	H	
811	29 3/4"	33"	41"	80 lb.



Spec. #

A/A #



Lakeside Manufacturing, Inc.
 4900 West Electric Avenue • West Milwaukee, WI 53219 U.S.A.
 800-558-8565 • 414-902-6400 • Fax 414-902-6446 • www.eLakeside.com