

Enclosed Tray Trucks

Compact Stainless Steel



Model 657



Compact Design With Up To 20 Tray Capacity

- Models for 14" x 18" (356 x 457) or 15" x 20" (381 x 508) trays with ample 6" (152) ledge spacing. 16 or 20 tray capacity.
- Redesigned long life door latch.
- Models 640-657 are available in standard dark mahogany vinyl exterior.
- Double door models available for loading and unloading from either side.
- Heavy-duty stainless steel stem casters.
- Door conveniently opens 270° out of your way.
- Stainless steel construction provides years of service life.

Specifications

Unit shall be of fully welded Type 304 stainless steel construction and shall accommodate either 14" x 18" (356 x 457 mm) or 15" x 20" (381 x 508 mm) meal trays. Unit back, top and sides shall be of 18-gauge stainless steel. Compartment floor shall be of 22-gauge stainless steel. Tray ledges shall be of .104 x 1" strip stainless steel. Ledges shall have 6" (152 mm) spacing and shall accommodate two trays per level. Door(s) shall be of 22-gauge double pan stainless steel, with 1" (25 mm) polystyrene insulation for sound deadening and shall have spring-loaded swing type latch. Door(s) shall swing open 270° and shall lock in an open position. Casters shall be stainless steel corner mounted stem type 5" (127 mm) diameter swivel, with shielded bearing and non-marking polyurethane wheels. Unit shall be NSF listed.

Model 640 and 650 Series only:

Exterior sides and door(s) shall have decorative woodgrain or solid teal vinyl applied over stainless steel.

Spec. #

AIA #

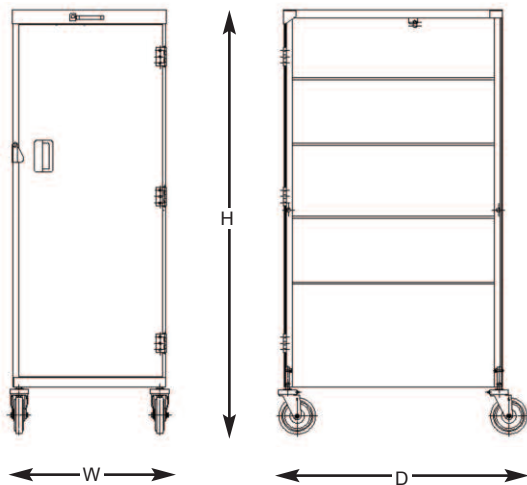


Lakeside Manufacturing, Inc.

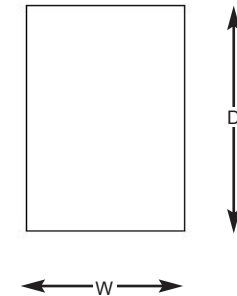
4900 West Electric Avenue • West Milwaukee, WI 53219 U.S.A.
800-558-8565 • 414-902-6400 • Fax 414-902-6446 • www.eLakesideFoodservice.com

Enclosed Tray Trucks

Compact Stainless Steel



Top View



AutoCAD drawings available through KCL CADalog



Model 840

Dimensions

Model Stainless Steel	Model SS w/Vinyl Exterior	Tray Capacity	Ledge Spacing	Door Description	Overall Size			Case Weight		Case Cube	
					W	D	H	lb.	(kg.)	ft. ³	(m ³)
840	640	16 ea. 14" x 18" (356 x 457)	6" (152)	1-front	21-5/8" (549)	31-1/4" (794)	58-1/4" (1480)	122	(55.3)	26.7	(.75)
845	645	16 ea. 14" x 18" (356 x 457)	6" (152)	1-front 1-back	21-5/8" (549)	31-1/4" (794)	58-1/4" (1480)	128	(58.1)	26.7	(.87)
842	642	20 ea. 14" x 18" (356 x 457)	6" (152)	1-front	21-5/8" (549)	31-1/4" (794)	70-1/4" (1784)	145	(65.8)	32.7	(.91)
847	647	20 ea. 14" x 18" (356 x 457)	6" (152)	1-front 1-back	21-5/8" (549)	31-1/4" (794)	70-1/4" (1784)	155	(70.3)	32.7	(.91)
850	650	16 ea. 15" x 20" (381 x 508)	6" (152)	1-front	23-3/4" (603)	33-1/4" (845)	58-1/4" (1480)	131	(59.4)	31	(1.08)
855	655	16 ea. 15" x 20" (381 x 508)	6" (152)	1-front 1-back	23-3/4" (603)	33-1/4" (845)	58-1/4" (1480)	136	(61.7)	31	(.87)
852	652	20 ea. 15" x 20" (381 x 508)	6" (152)	1-front	23-3/4" (603)	33-1/4" (845)	70-1/4" (1784)	154	(69.7)	38.4	(.75)
857	657	20 ea. 15" x 20" (381 x 508)	6" (152)	1-front 1-back	23-3/4" (603)	33-1/4" (845)	70-1/4" (1784)	161	(73)	38.4	(1.08)

Measurements in () denote metric millimeters, unless otherwise specified.

Optional Accessories

- Extended perimeter bumper
- Horizontal push handle (single door models)
- Ergonomic vertical push handles (single door models)
- Optional vinyl exterior finishes (640 and 650 series)

Standard Exterior Finishes



Red Maple



Walnut



Light Maple



Teal



Lakeside Manufacturing, Inc.

4900 West Electric Avenue • West Milwaukee, WI 53219 U.S.A.

800-558-8565 • 414-902-6400 • Fax 414-902-6446 • www.eLakesideFoodservice.com