

Item # _____

Quantity _____

Sheet Pan Drying Rack

Stainless Steel

Spec. #

A/A #



Model 848

Dry and Store Up To 120 Sheet Pans At A Time

- Rugged all-welded frame of stainless steel square tubing
- Solid stainless steel tray shelves
- Stainless steel channel slides with 1½" spacing
- Accommodates 18" x 26" and 14" x 18" pans or trays
- Pan-stop ledge prevents pans from sliding off of back side
- Rolls easily on 5" non-marking swivel casters (two with brake)
- Heavy-duty 14-gauge caster mount gussets

Specifications:

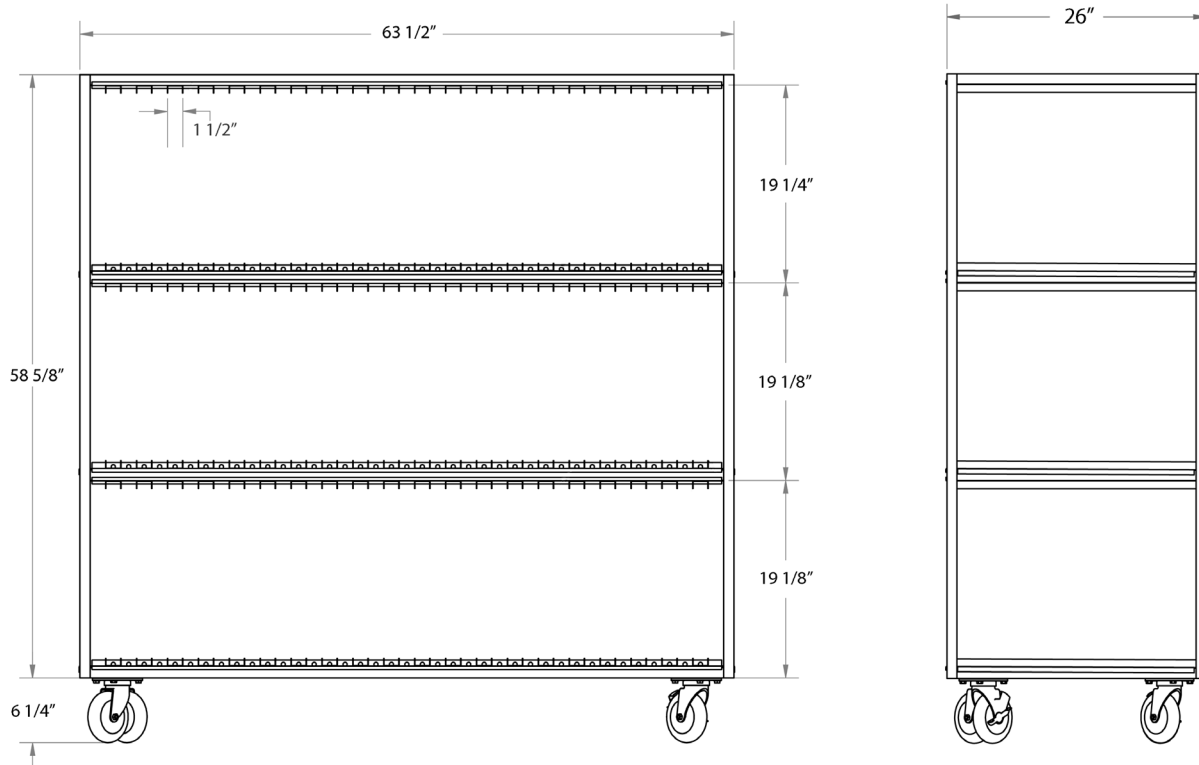
Shall be Lakeside Model #848 and shall be of welded stainless steel construction. Unit shall feature welded frame of 16-gauge 1" x 1" square tubing. Trays shall be stored on three each solid tray shelves of 18-gauge stainless steel. Tray shelves shall be supported front and back and sides by 16-gauge 1" x 1" square tubing, shall include a pan-stop ledge on one side, and shall be pitched slightly to allow drainage. Trays shall slide vertically into stainless steel channels welded to tray shelves. Channels shall have 1½" spacing. Unit shall accommodate up to 120 each 18" x 26" (240 each 14" x 18") pans. Triangular 14-gauge stainless steel gussets shall be welded under bottom corners to accommodate plate-mount casters. Casters shall be all-swivel, with 5" non-marking wheels. Two each of the casters shall have wheel brake.



Lakeside Manufacturing, Inc.
4900 West Electric Avenue • West Milwaukee, WI 53219 U.S.A.
800-558-8565 • 414-902-6400 • Fax 414-902-6446 • www.eLakeside.com

Sheet Pan Drying Rack

Stainless Steel



Dimensions:

Model	Overall Size			Accepts Pan Size	Casters		Case Wt. Lbs.
	W	D	H		Type	Dia.	
848	63 1/2"	26"	58 5/8"	18" x 26"	All Swivel	5"	305 (137.4 kg)
	(1613)	660	1489)	14" x 18"	2 w/Brake	(127)	

Dimensions in () denote metric millimeters, unless otherwise noted.

Spec. #

AIA #



Lakeside Manufacturing, Inc.
4900 West Electric Avenue • West Milwaukee, WI 53219 U.S.A.
800-558-8565 • 414-902-6400 • Fax 414-902-6446 • www.eLakeside.com