

# Hydration Cart

## Self-Serve Stainless Steel



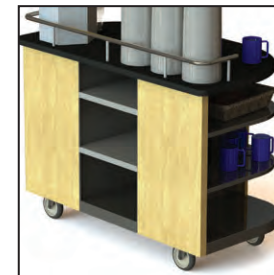
Model 8715  
In Victorian Cherry



Model 8713  
In Hard Rock Maple



Optional recessed front compartment



Reverse side with optional  
fixed stainless steel shelves

### Offer Hydrating Beverages And Healthy Snacks To Residents And Visitors

#### Benefits

- Provide healthy beverages and snacks in various locations
- Rolls easily to serving location
- Attractive presentation encourages fluid consumption

#### Features

- Stainless steel welded construction with laminate top and decorative exterior
- Plenty of concealed and open storage
- Choice of standard or custom finishes and graphics
- Top rails hold objects securely
- Extended sturdy HDPE base
- Rolled easily against a wall for convenient self-service

#### Casters

- All-swivel 5" cushion tread, 2 with brakes

Spec. # \_\_\_\_\_

AIA # \_\_\_\_\_

#### Specifications:

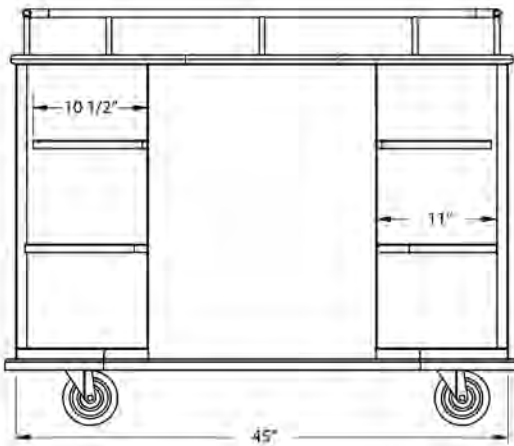
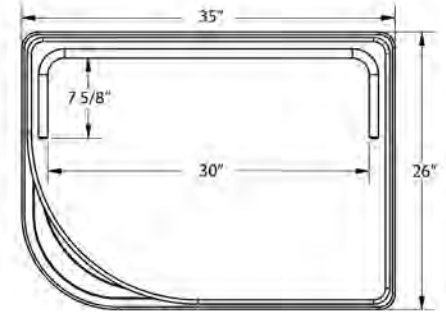
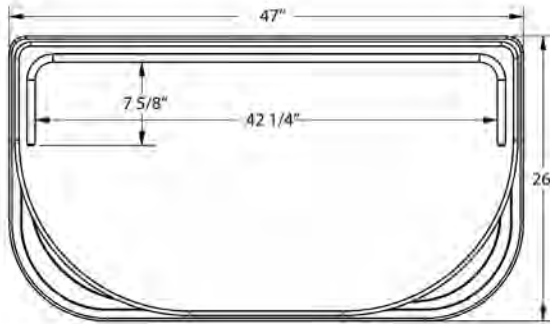
Unit shall be Lakeside model \_\_\_\_\_ (8713, 8715) to be of welded stainless steel construction. Unit base shall be of 1" thick high-density polyethylene and shall extend to become a perimeter bumper. Top shall be 1" black laminate with a 4" stainless steel rail across the back length and round back corners. Front corners shall be open and feature three (six on model 8715) open storage compartments. Front and back panels shall be available in a choice of standard or custom laminate finishes. Unit back shall have access to enclosed stainless steel storage compartment. Cart shall have 4 each, 5" (127mm) all-swivel Lake-Glide® cushion tread casters, two with brakes. Casters shall be fastened to a galvanized steel dolly for extra strength.

# Hydration Cart

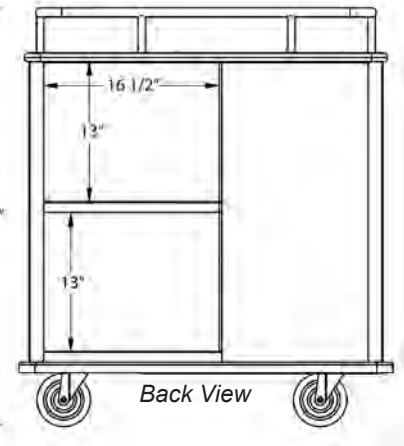
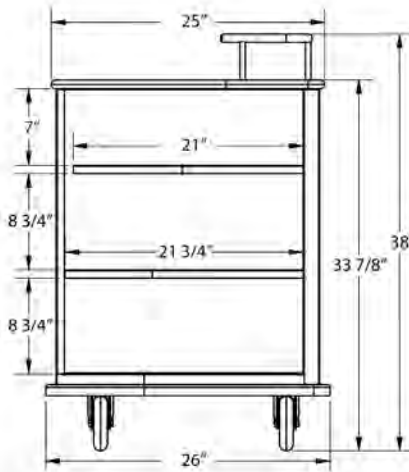
## Self-Serve Stainless Steel

Spec. #

AIA #



Model 8715



Model 8713

### Model Information:

| Model | Description                        | Top Height       | Corner Compartments |                |               | Overall Size  |            |            | Case Wt. Lbs. (Kg) |
|-------|------------------------------------|------------------|---------------------|----------------|---------------|---------------|------------|------------|--------------------|
|       |                                    |                  | W                   | D              | L             | W             | D          | H          |                    |
| 8713  | Compact,<br>3 Ea. Corner Shelves   | 33 7/8"<br>(860) | 13 1/2"<br>(343)    | 27 1/2"<br>572 | 8 3/4"<br>222 | 35"<br>(889)  | 26"<br>660 | 38"<br>965 | 108<br>(50)        |
| 8715  | Full Size,<br>6 Ea. Corner Shelves | 33 7/8"<br>(860) | 13 1/2"<br>(343)    | 27 1/2"<br>572 | 8 3/4"<br>222 | 47"<br>(1194) | 26"<br>660 | 38"<br>965 | 130<br>(59)        |

Dimensions in ( ) denote metric millimeters, unless otherwise noted. Please specify laminate choice.

### Available Laminate Finishes



- Walnut
- Gray Sand
- Light Maple
- Victorian Cherry



- Beige Suede
- Hard Rock Maple
- Red Maple
- Red
- Green
- Black
- Royal Blue
- Purple

### Options:

- Hinged door (reverse side)
- Stainless steel shelf (shelves)
- Group 2 laminate finish top (black is std.)
- Recessed front compartment



Lakeside Manufacturing, Inc.

4900 West Electric Avenue • West Milwaukee, WI 53219 U.S.A.

800-558-8565 • 414-902-6400 • Fax 414-902-6446 • www.eLakeside.com