

**Production Equipment 3000 Series**

Refrigerated Equipment Stands  
Stainless Steel Top, Self-contained



ITEM # \_\_\_\_\_

PROJECT \_\_\_\_\_

DATE \_\_\_\_\_

MODEL	DIM
3054-SR	54"L x 31.5"D
3076-SR	76"L x 31.5"D
3002-SR	102"L x 31.5"D

**FEATURES**

- Refrigerated System has expansion valve and control for rapid, accurate recovery
- Stainless Steel ends
- Condensate Evaporator
- Legs removable in field
- Uniform integration in design, quality, and parts
- Self-closing drawers w/ (2) 12x20x4 dp polycarbonate pans ea.

**OPTIONS**

- Casters in lieu of legs
- (1) Door in place of (2) Drawers
- Adjustable Wire Shelf (per door)
- Cutting boards: 9 1/2" x 1/2" Richlite board w/ s/s brackets
- Full Extension Drawer Slides

3076-SR shown with options

**SPECIFICATIONS:**

**TOP:** Die-formed construction of one-piece 18 GA stainless steel type 304-#4 finish with 1 1/8" high marine edge nosing, ends and back turned up to match front

**EXTERIOR:** Back and bottom of 20 GA steel with painted enamel finish, Body supported by 14 GA galvanized steel box channels for legs, Ends of 20 GA stainless steel, type 304-#4 finish

**CONDENSER HOUSING:** Fitted with an "easily removable" Clip-on Snap-in louvered panel

**INTERIOR:** Bottom, Back, and Ends of 22 GA stainless steel type 304-#2B finish, Top of aluminum

**INSULATION:** Rigid Polyurethane Foam

**DRAWER JAMS:** One-piece high-impact plastic with concealed magnets on perimeter for positive sealing

**DRAWERS:** Exterior of one-piece die-stamped 22 GA stainless steel type 304-#4 finish, Interior of high-impact plastic, Gasket mounted w/ aluminum strips and screws for easy removability and to ensure a proper seal, Drawer frame of combination 20 GA and 16 GA stainless steel and corrosion resistant 1 5/16" rollers w/ ball bearing assembly, Each drawer includes (2) removable 12x20x4 dp polycarbonate pans front to back with (1) stainless steel divider support bar

**LEGS:** Removable 6" high x 1 5/8" tubing welded to steel plate and fastened to body support channel, Bullet foot has 1 1/8" of adjustment, legs of stainless steel

**REFRIGERATION:** Self-Contained unit has balanced system using a hermetically-sealed condenser, Unit has forced air evaporator w/ protective coated coil and expansion valve, System comes assembled w/ cord & plug 5-15-P, tested to operate between 36 and 40 degrees F

# Production Equipment 3000-SR

Refrigerated Equipment Stand  
Self-contained



3054-SR



3076-SR



3002-SR

## OPTIONS

(1) Door in place of (2) drawers

9 1/2" x 1/2" Richlite Board  
w/ S/S Brackets



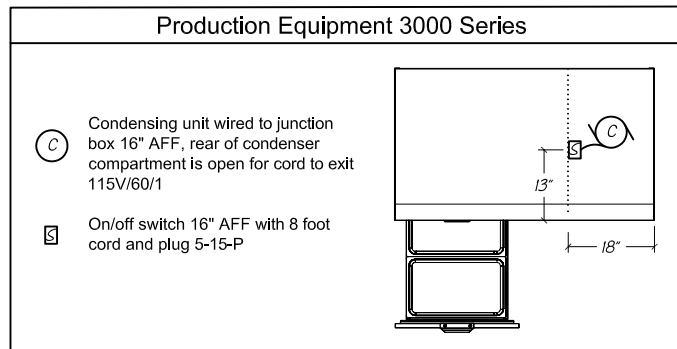
## STATISTICAL DATA

MODEL	LGTH	DRAWERS PER UNIT	CAPACITY CUBIC FOOT	CONDENSING UNIT 1	VOLTS/ CYCLE/ PHASE	TOTAL <sup>2</sup> AMPS	NEMA PLUG	SHIP WT.
3054-SR	54"	2	2.24	1/4-HP R134A	115v/60/1	7.75	5-15-P	430#
3076-SR	76"	4	4.48	1/4-HP R134A	115v/60/1	8.38	5-15-P	560#
3002-SR	102"	6	6.72	1/3-HP R134A	115v/60/1	10.78	5-15-P	675#

**NOTE:**

1. Custom Units may require upgraded BTU ratings on evaporator coil and/or condensing unit
2. Hot gas condensate evaporator is factory recommended, If electric condensate evaporator is required, add .39 AMPS to total

## MECHANICAL DATA



## SECTION VIEW

