

Production Equipment 3100 Series

Refrigerated Equipment Stands
Stainless Steel Top, Remote



3164-RR shown with options

SPECIFICATIONS:

TOP: Die-formed construction of one-piece 18 GA stainless steel type 304-#4 finish with 1 1/8" high marine edge nosing, ends and back turned up to match front

EXTERIOR: Back and bottom of 20 GA steel with painted enamel finish, Body supported by 14 GA galvanized steel box channels for legs, Ends of 20 GA stainless steel, type 304-#4 finish

INTERIOR: Bottom, Back, and Ends of 22 GA stainless steel type 304-#2B finish, Top of aluminum

INSULATION: Rigid Polyurethane Foam

DRAWER JAMS: One-piece high-impact plastic with concealed magnets on perimeter for positive sealing

DRAWERS: Exterior of one-piece die-stamped 22 GA stainless steel type 304-#4 finish, Interior of high-impact plastic, Gasket mounted w/ aluminum strips and screws for easy removability and to ensure a proper seal, Drawer frame of combination 20 GA and 16 GA stainless steel and corrosion resistant 1 5/16" rollers w/ ball bearing assembly, Each drawer includes (2) removable 12x20x4 dp polycarbonate pans front to back with (1) stainless steel divider support bar

LEGS: Removable 6" high x 1 5/8" tubing welded to steel plate and fastened to body support channel, Bullet foot has 1 1/8" of adjustment, legs of stainless steel

REFRIGERATION: Remote unit has air evaporator coil with protective coated coil and expansion valve, System comes assembled w/ a junction box ready for final connection, Recommended temperature to operate between 36 and 40 degrees F

ITEM # _____

PROJECT _____

DATE _____

MODEL	DIM
3142-RR	42"L x 31.5"D
3164-RR	64"L x 31.5"D
3190-RR	90"L x 31.5"D

FEATURES

- Stainless Steel ends
- Condensate Evaporator
- Legs removable in field
- Uniform integration in design, quality, and parts
- Self-closing drawers w/ (2) 12x20x4 dp polycarbonate pans ea.

OPTIONS

- Casters in lieu of legs
- (1) Door in place of (2) Drawers
- Adjustable Wire Shelf (per door)
- Cutting boards: 9 1/2" x 1/2" Richlite board w/ s/s brackets
- Full Extension Drawer Slides

Production Equipment 3100-SR

Refrigerated Equipment Stand

Remote



3142-RR



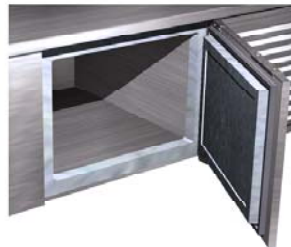
3164-RR



3190-RR

OPTIONS

(1) Door In place of (2) drawers



9 1/2" x 1/2" Richlite Board
w/ S/S Brackets



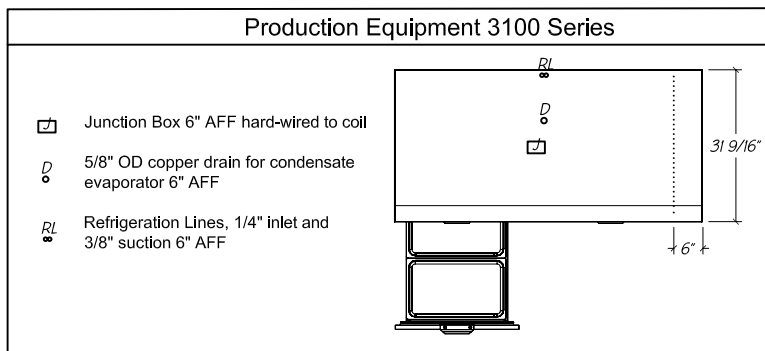
STATISTICAL DATA

MODEL	LGTH	DRAWERS PER UNIT	CAPACITY CUBIC FOOT	BTU PER HOUR TD ¹	VOLTS/ CYCLE/ PHASE	TOTAL ² AMPS	RECOM. ³ HP	SHIP WT.
3142-RR	42"	2	2.24	800 R-134A	115v/60/1	0.64	1/4	360#
3164-RR	64"	4	4.48	1200 R-134A	115v/60/1	1.28	1/4	490#
3190-RR	90"	6	6.72	1200 R134A	115v/60/1	1.28	1/3	600#

NOTE:

1. Custom Units may require upgraded BTU ratings on evaporator coil and/or condensing unit
2. If optional electric condensate evaporator is required, add .39 AMPS to total
3. Recommended HP up to 25' of refrigeration line (at installers discretion)

MECHANICAL DATA



SECTION VIEW

