

**Production Equipment 3200 Series**

Freezer Equipment Stands  
Stainless Steel Top, Self-contained

ITEM # \_\_\_\_\_

PROJECT \_\_\_\_\_

DATE \_\_\_\_\_

| MODEL   | DIM            |
|---------|----------------|
| 3262-SF | 62"L x 31.5"D  |
| 3288-SF | 88"L x 31.5"D  |
| 3216-SF | 116"L x 31.5"D |

**FEATURES**

- Refrigerated System has expansion valve and control for rapid, accurate recovery
- Stainless Steel ends
- Condensate Evaporator
- Legs removable in field
- Uniform integration in design, quality, and parts
- Self-closing drawers w/ (2) 12x20x4 dp polycarbonate pans ea.
- Automatic Defrost timer and evaporator heater provided
- Door jam heaters to prevent gasket freezing

**OPTIONS**

- Casters in lieu of legs
- (1) Door in place of (2) Drawers
- Adjustable Wire Shelf (per door)
- Cutting boards: 9 1/2" x 1/2" Richlite board w/ s/s brackets
- Full Extension Drawer Slides



3262-SF shown with options

**SPECIFICATIONS:**

**TOP:** Die-formed construction of one-piece 18 GA stainless steel type 304-#4 finish with 1 1/8" high marine edge nosing, ends and back turned up to match front

**EXTERIOR:** Back and bottom of 20 GA steel with painted enamel finish, Body supported by 14 GA galvanized steel box channels for legs, Ends of 20 GA stainless steel, type 304-#4 finish

**CONDENSER HOUSING:** Fitted with an "easily removable" Clip-on Snap-in louvered panel

**INTERIOR:** Bottom, Back, and Ends of 22 GA stainless steel type 304-#2B finish, Top of aluminum

**INSULATION:** Rigid Polyurethane Foam

**DRAWER JAMS:** One-piece high-impact plastic with concealed magnets on perimeter for positive sealing and jam heaters to prevent gasket freezing

**DRAWERS:** Exterior of one-piece die-stamped 22 GA stainless steel type 304-#4 finish, Interior of high-impact plastic, Gasket mounted w/ aluminum strips and screws for easy removability and to ensure a proper seal, Drawer frame of combination 20 GA and 16 GA stainless steel and corrosion resistant 1 5/16" rollers w/ ball bearing assembly, Each drawer includes (2) removable 12x20x4 dp polycarbonate pans front to back with (1) stainless steel divider support bar

**LEGS:** Removable 6" high x 1 5/8" tubing welded to steel plate and fastened to body support channel, Bullet foot has 1 1/8" of adjustment, legs of stainless steel

**REFRIGERATION:** Self-Contained unit has low temperature balanced system using a hermetically-sealed condenser, Unit has forced air evaporator w/ protective coated coil and expansion valve, defrost heater, and timer, System comes assembled w/ cord & plug 5-15-P, tested to operate between -5 and 0 degrees F

# Production Equipment 3200-SF

Freezer Equipment Stand  
Self-contained



3262-SF



3288-SF



3216-SF

## OPTIONS

(1) Door in place of (2) drawers



9 1/2" x 1/2" Richlite Board  
w/ S/S Brackets



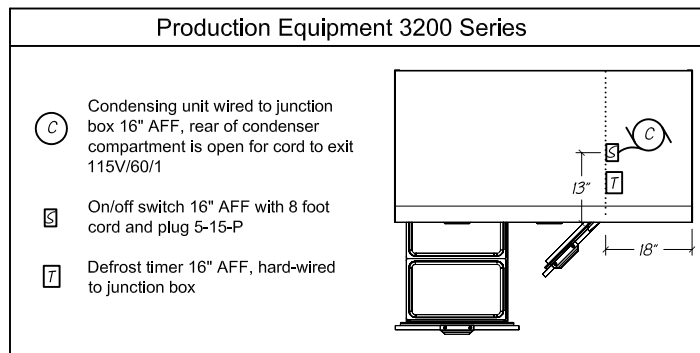
## STATISTICAL DATA

| MODEL   | LGTH | DRAWERS PER UNIT | CAPACITY CUBIC FOOT | CONDENSING UNIT 1 | VOLTS/ CYCLE/ PHASE | TOTAL 2 AMPS | NEMA PLUG | SHIP WT. |
|---------|------|------------------|---------------------|-------------------|---------------------|--------------|-----------|----------|
| 3262-SF | 62"  | 2                | 3.44                | 1/4-HP R404       | 115v/60/1           | 6.9          | 5-15-P    | 430#     |
| 3288-SF | 88"  | 4                | 5.68                | 1/3-HP R404       | 115v/60/1           | 9.7          | 5-15-P    | 560#     |
| 3216-SF | 116" | 6                | 7.92                | 1/2-HP R404       | 115v/60/1           | 12.6         | 5-15-P    | 675#     |

**NOTE:**

1. Custom Units may require upgraded BTU ratings on evaporator coil and/or condensing unit
2. Hot gas condensate evaporator is factory recommended, If electric condensate evaporator is required, add .39 AMPS to total

## MECHANICAL DATA



## SECTION VIEW

