

Production Equipment 4100 Series

**Bloomington-Style Recessed Opening
Mechanically-Cooled, Self-Contained Cold Pan
Drop-in**



CUSTOM-4157 shown, pans not incl.

SPECIFICATIONS:

TOP: Top and interior liner of one-piece construction of 18 GA stainless steel 304-#4 finish

TANK: Interior liner kinked to 1" MPT drain, adaptor bars provided for 12x20 pans (pans not incl.)

EXTERIOR: Exterior housing of 20 GA galvanized steel

INSULATION: High-Density closed cell polyurethane, Sides and bottom wrapped with refrigeration lines

BLOOMINGTON STYLE RECESSED

TANK: NSF Standard 7, mechanically cooled, 3" recessed opening wrapped tank is controlled by its own pressure control w/ on/off switch, Recessed openings can accommodate fractional sized pans up to 6" deep, Pans to sit on removable stainless clip mounted to inside of tank w/ stainless thumb screws, Tank designed to hold temperature between 33-41 degrees fahrenheit

CONDENSING UNIT: Suspended below cold pan on 14 GA galvanized steel frame, Self-contained unit has a high temperature balanced system using a hermetically-sealed compressor w/ expansion valve, System comes assembled w/ cord & plug (5-15-P) Optional louvered panel available for field installation

****RAIL PERFORMANCE:**

CONDIMENTS MUST BE REMOVED AT NIGHT TO PREVENT FREEZING OF RAIL/PRODUCT, ON/OFF SWITCH IS PROVIDED TO CONTROL RAIL

ITEM # _____

PROJECT _____

DATE _____

MODEL	LNNGTH
CUSTOM-4119	15 7/8"
CUSTOM-4132	31 5/8"
CUSTOM-4144	44 3/8"
CUSTOM-4157	57 1/8"
CUSTOM-4170	69 7/8"
CUSTOM-4183	82 5/8"

SUMMARY

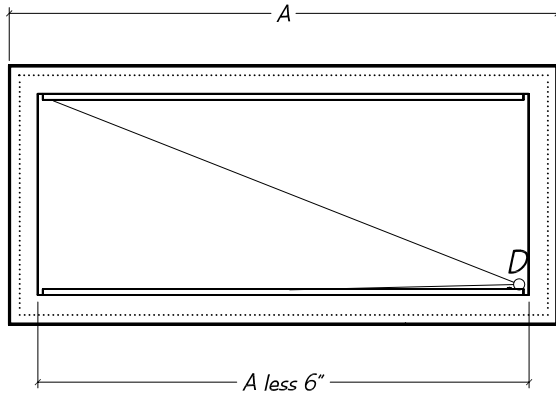
Mechanically Cooled
Drop in Cold pan
"Bloomington-Style"
cold wall construction
for full size pans, 115v
w/ expansion valve &
on/off switch

OPTIONS

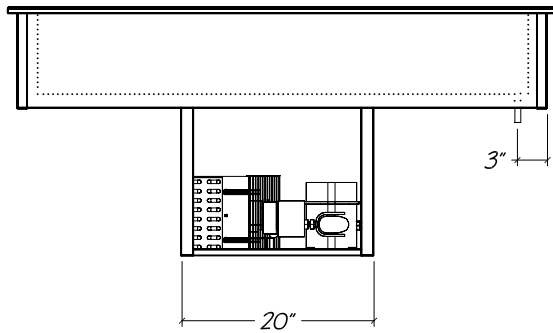
- Custom sizes and styles available, contact factory for details
- Optional louvered panel available for field installation

Production Equipment 4100

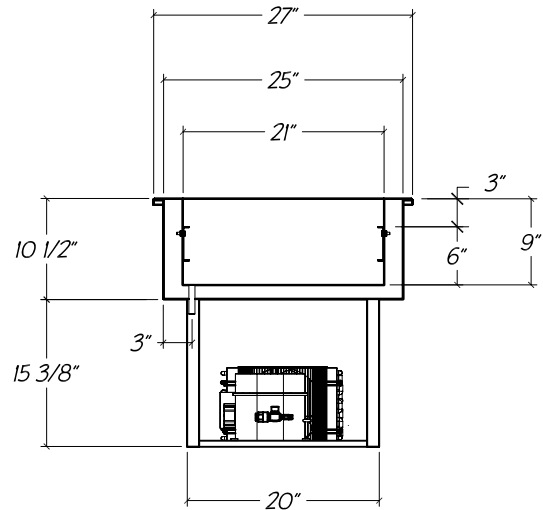
Mechanically Cooled Drop In
Self-contained



PLAN



FRONT ELEVATION



SIDE ELEVATION

STATISTICAL DATA

MODEL	DIM A	CAPACITY FULL SIZE PANS	CUTOUT SIZE	CONDENSING UNIT	VOLTS/ CYCLE/ PHASE	TOTAL AMPS	SHIP WT.
CUSTOM-4119	18 7/8"	1	17 3/8" x 25 1/2"	1/4-HP R134A	115v/60/1	7.12	111#
CUSTOM-4132	31 5/8"	2	30 1/8" x 25 1/2"	1/4-HP R134A	115v/60/1	7.12	176#
CUSTOM-4144	44 3/8"	3	42 7/8" x 25 1/2"	1/4-HP R134A	115v/60/1	7.12	243#
CUSTOM-4157	57 1/8"	4	55 5/8" x 25 1/2"	1/4-HP R134A	115v/60/1	7.12	268#
CUSTOM-4170	69 7/8"	5	68 3/8" x 25 1/2"	1/3-HP R134A	115v/60/1	9.50	275#
CUSTOM-4183	82 5/8"	6	81 1/8" x 25 1/2"	1/3-HP R134A	115v/60/1	9.50	294#