

Production Equipment 5020
Ice Cream Freezer, Self Contained
Drop-In



SPECIFICATIONS:

TOP: Top construction of 18 GA stainless steel

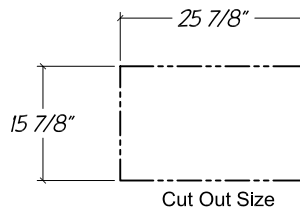
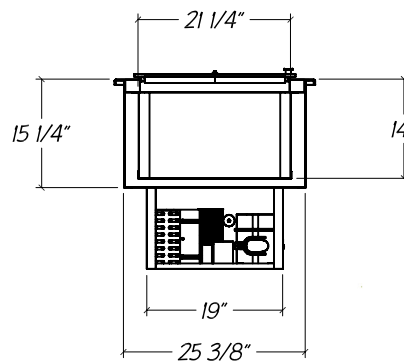
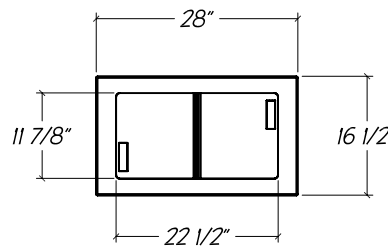
OPENING: (1) die-stamped 10 3/8" x 20 5/8" opening fitted with insulated split-hinged lid

INTERIOR: Freezer compartment interior is 11" x 21 1/4" x 13 3/4" high 22 GA stainless steel, Sides wrapped with refrigeration lines

INSULATION: Bottom and sides insulated with high-density closed cell polyurethane

CONDENSING UNIT: Mounted below freezer compartment on 14 GA galvanized steel frame, 1/4-HP 115v/60Hz/1Ph (6 amp) compressor with 8 foot cord & 5-15-P plug

REFRIGERATION: Self-contained unit has a low-temperature balanced system using a hermetically sealed condenser, Capillary tube system with temperature control, System comes assembled with cord and 5-15-P plug, Base tested to operate between -5 and 0 degrees F



ITEM # _____

PROJECT _____

DATE _____

MODEL 5020 DIM 16 1/2"W

SUMMARY

Ice Cream/Plate Chiller
w/ split hinged lid,
Drop-in, Self contained

OPTIONS

- Stainless Steel louvered panel available for field installation
- Custom S/S locking bar device