

Production Equipment 5500 Series

**Cocktail Station
Drop In**



ITEM # _____

PROJECT _____

DATE _____

MODEL	DIM
5534	34"L
5547	47"L
5559	59"L
5571	71"L

SUMMARY

Cocktail Station w/ insulated ice chest, condiment pan holding assembly w/ 2 1/2" dp pans, glass fillers, and full length troughs w/ waste containers

OPTIONS

- Ice cooled built-in cold plate

SPECIFICATIONS:

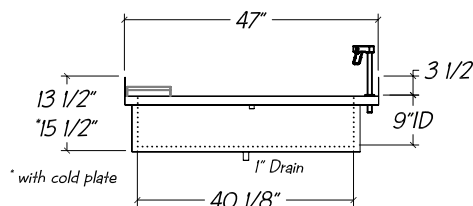
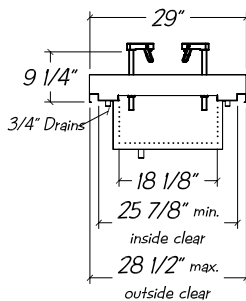
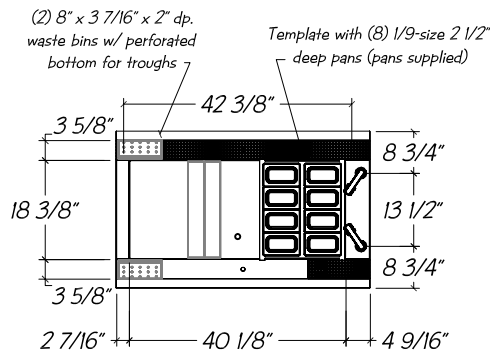
TOP: Top construction of 18 GA stainless steel, 3 1/2" turn up on ends

ICE BIN: Foamed in-place insulation w/ 1" drain, Movable ice bin partition includes (8) 1/9 size pans 2 1/2" dp

FILL FAUCETS: (2) Glass Fillers

TROUGHS: Full-length trough w/ removable grate and perforated waste container along each side, each trough to have 3/4" drain

EXTERIOR: Exterior body to be corrosion-resistant steel



MODEL	LGTH	SHIP WT.
5534	34"	140#
5547	47"	162#
5559	59"	184#
5571	71"	190#