

Modular Equipment 90101-3 Series

Soup/Food Warmer Units -
Stainless Steel Top



L-90101 & L-90103 shown with options

SPECIFICATIONS:

TOP: Die-formed continuation of adjacent unit(s) with nosing and backsplash, Backsplash to be 3/8" coved, 6" high x 2 1/8" wide, Sheared ends fitted with recessed 12 GA steel bars for adjoining units, producing a hairline seam

SOUP WARMER OPENINGS: Round cutouts provided for drop-in soup warmer for 8 1/2" 7qt. insets

FOOD WARMER OPENING: 12" X 20" stainless steel, deep-drawn tank for wet/dry application

HEAT TYPE: Tubular heating element attached to the underside of the compartment, Temperature controlled by infinite control with positive off position

INTERIOR: Back and bottom are open for rough-in flexibility and service

MODULAR: Warmer units constructed as freestanding units or as add-on pieces to utility stands, Partial sides & stainless steel aprons house add-on pieces, Top & body supported by 14 GA galvanized steel box channels when applicable, Sound deadening material applied between top of support channels and underside of top

FRONT: Exterior removable panel of one-piece die-stamped 20 GA stainless steel type 304-#4 finish, Warmer controls mounted in front panel with junction box ready for final connection in the field

LEGS: 8" high legs standard, 1 5/8" tubing welded to steel plate and fastened to body support channels, Bullet-foot has 1 1/8" of adjustment, All legs are stainless steel

ITEM # _____

PROJECT _____

DATE _____

MODEL	LENGTH
L-90101	14"
L-90102	16"
L-90103	18"

DEPTH
28" OR 32"

FEATURES

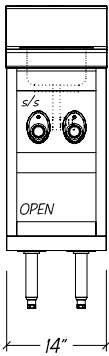
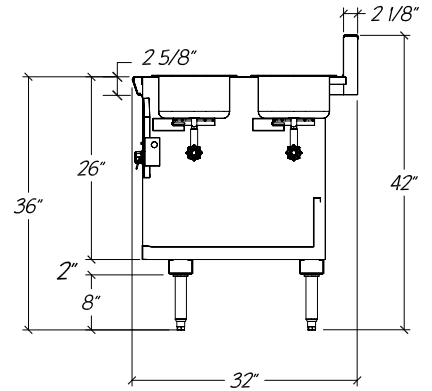
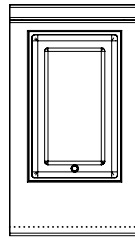
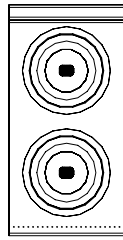
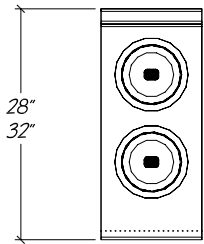
- Available with other modular equipment under one top up to 10 feet in length
- 16 GA reinforced top
- Individual compartments for wet/dry application
- Individual infinite control with positive off-position
- Drains & gate valves available
- Uniform integration in design, quality and parts

OPTIONS

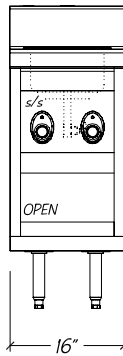
- Gate Valves
- Manifold Drains
- 8 1/2" Insets
- Custom Sizes
- Built-in to utility stand or freestanding units

Modular Equipment L-90101-3 Series - Soup/Food Warmer Unit Options

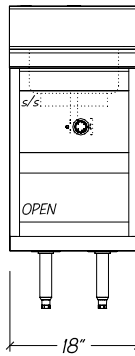
DIMENSIONAL DATA



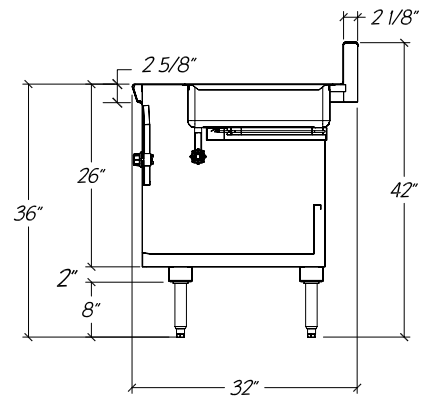
L-90101



L-90102



L-90103



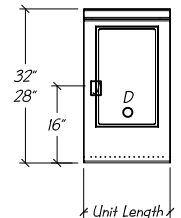
STATISTICAL DATA

MODEL	LGTH	INSET CAPACITY		TOTAL AMPS ii			SHIP WT.
		1 OPNG	2 OPNG	115V	208V	240V	
L-90101	14"	7QT	14QT	3.8	1.6	1.9	95#
L-90102	16"	11QT	22QT	3.8	1.6	1.9	120#
L-90103	18"	(1) 12X20 PAN i		10.0	4.3	5.0	125#

- Notes:**
- i. 7QT warmer - Wells #SS-8
11QT warmer - Wells #SS-10
12x20 warmer - Wells #SS-206
 - ii. Per opening, Double values for (2) openings

Modular Equipment 90101-3 Series MECHANICAL DATA

- Junction Box hard-wired to warmers, 22" AFF
- D 3/4" copper drain FPT w/ gate valve, 25" AFF (optional)



32" dp. unit has 5 1/4" rear chaseway
28" dp. unit has 1 1/4" rear chaseway