



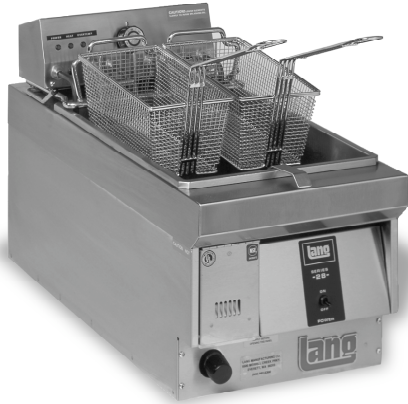
Item No. _____

Project _____

Quantity _____

Electric, Counter Top Fryer

Model: 130F



Model 130F

PERFORMANCE GUIDE

Power Input	12-kW
Fat Capacity	30 lbs.
Preheat Time [350°F]	7 minutes
Frozen Fries Production	68 lbs./hr

SHORT/BID SPECIFICATION

Fryer shall be a **LANG Manufacturing Model 130F**, a 15" wide counter top electric heated unit with 12-kW power input; 30 pound shortening capacity and 68 lbs/hr frozen fries production capacity; twin half size baskets with manual basket lifts; all stainless steel tank and exterior; plus the features listed and options/accessories checked:

STANDARD PRODUCT WARRANTY

- One year, parts & labor
- Fry pot is guaranteed to never leak.

CONSTRUCTION FEATURES

- One piece heavy duty 430 Series stainless steel exterior, with attractive No. 4 finish
- Stainless steel fry kettle
- 12-kW [total] rod type low watt density heating elements
- Twin frying baskets with manual basket lift system
- Front mounted oil drain ball valve

PERFORMANCE FEATURES

- High production from a 15" wide counter top unit
- Kettle and element design provide a large cool zone where food particles can collect
- Low watt density heating elements provide even heating and extend shortening life
- Heating elements hinge up and out of kettle for easy cleaning
- All service is done from front, without moving the unit

CONTROL PACKAGE

- Power ON-OFF switch
- Thermostat
- POWER, HEAT & OVER TEMP indicator lights



Sheet No. LSP-F1 (rev. 06/07)

Electric, Counter Top Fryer

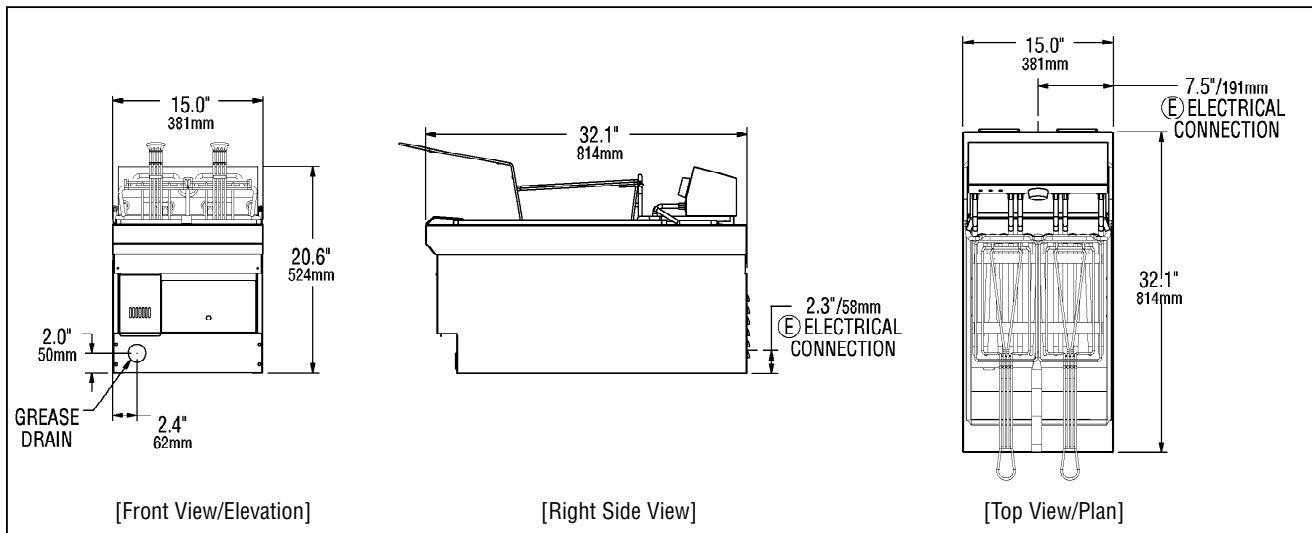
Model: 130F

INSTALLATION REQUIREMENTS

- (E) Single 208V or 240V, 3-phase or optional 480V, 3-Phase electrical connection
- Installation under approved vent hood required. Consult local codes. [Power connection from rear or bottom. See below]

OPTIONS & ACCESSORIES

- Full-size basket
- Half-size basket [two provided]
- Quick disconnect grease drain pipe
- 480 Volt, 3-phase model
- 4" adjustable legs



Model	Height x Width x Depth	Clearance from combustible surface	Weight		Freight Class
			Actual	Shipping	
130F	20.6" x 15.0" x 32.1" 524mm x 381mm x 814mm	Sides: 0" Back: 0"	100 lbs. 45 kg	115 lbs. 52 kg	85

Model	(E) Electrical Requirements			
	Voltage	Total kW	Phase	Amps/Line
130F	208V/60Hz	12.0	3	33.3
	240V/60Hz	12.0	3	28.9
	480V/60Hz	12.0	3	14.4

CAD SYMBOLS & PRICING



AutoQuotes

Due to continuous improvements, specifications subject to change without notice.

Lang
World Class Cooking Solutions

Sheet No. LSP-F1 (rev. 06/07)

LANG MANUFACTURING - A DIVISION OF STAR MANUFACTURING INT'L, INC. • 10 SUNNEN DR. ST. LOUIS, MO 63143
TOLL FREE: 800.264-7827 • FAX: 314-781-3636 • www.langworld.com