



Item No. _____

Project _____

Quantity _____

ChefSeries™ Electric, Counter Model Griddles Model: 124,136,148,160,172 [ZT, ZTC]



Model 148ZT Shown with optional CSE12AG flare reduction shield

SIZING AND PERFORMANCE GUIDE

Model	Width	Surface Area	Controls	kW Input*
<input type="checkbox"/> 124	24"	552 sq. in.	2	12-kW
<input type="checkbox"/> 136	36"	828 sq. in.	3	18-kW
<input type="checkbox"/> 148	48"	1104 sq. in.	4	24-kW
<input type="checkbox"/> 160	60"	1380 sq. in.	5	30-kW**
<input type="checkbox"/> 172	72"	1656 sq. in.	6	36-kW**

* 6-kW per foot of griddle

** Total power input, two power connections required

SHORT/BID SPECIFICATION

Griddle shall be a **LANG Manufacturing Model 124, 136, 148, 160, 172** with: standard ACCU-TEMP Snap-action Thermostat Controls for every 12" of griddle width; 6-kW per foot of Incoloy sheathed heating elements, pressure clamped to plate bottom; 1" thick polished cooking surface, with 5-1/2" high side and back splash and full front 1" deep X 3-1/2" wide grease trough; and all the features listed and the options/accessories checked:

STANDARD PRODUCT WARRANTY

- Three year parts & labor
- 5 year guarantee on chrome plated surfaces when ordered

CONSTRUCTION FEATURES

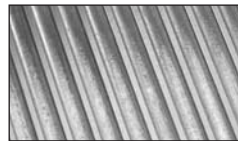
- 1" thick precision machined, polished steel cooking surface
- Continuously bottom welded 5-1/2" high rear & side splash shields
- Full front 3-1/2" wide X 1" deep stainless steel grease trough
- 8 quart capacity grease drawer, with removable fully enclosed sleeve
- All stainless steel base cabinet construction
- 4" adjustable legs provided [Stand option available]

PERFORMANCE FEATURES

- Thick griddle plate reduces hot & cold spots and retains heat
- Highly polished surface and continuously welded splash and grease trough speed cleanup
- Heating elements Incoloy sheathed for long life
- Elements are pressure clamped to bottom of griddle plate for more even heating
- Recessed control panel protects control knobs
- Accurate temperature control

CONTROL PACKAGE

- ACCU-TEMP™ Thermostat Controls [Standard]**
 - Snap-action thermostats
 - Independent temperature control every 12"
 - Power-to-element pilot lights for each control
 - 200° to 550°F temperature



FOCUS OPTIONS

Custom Grooving [Specified in 12" increments, from left to right. 24" maximum, from either side.]

Chrome griddle plate surface also available



Sheet No. LSP-GDZ (rev. 04/13)

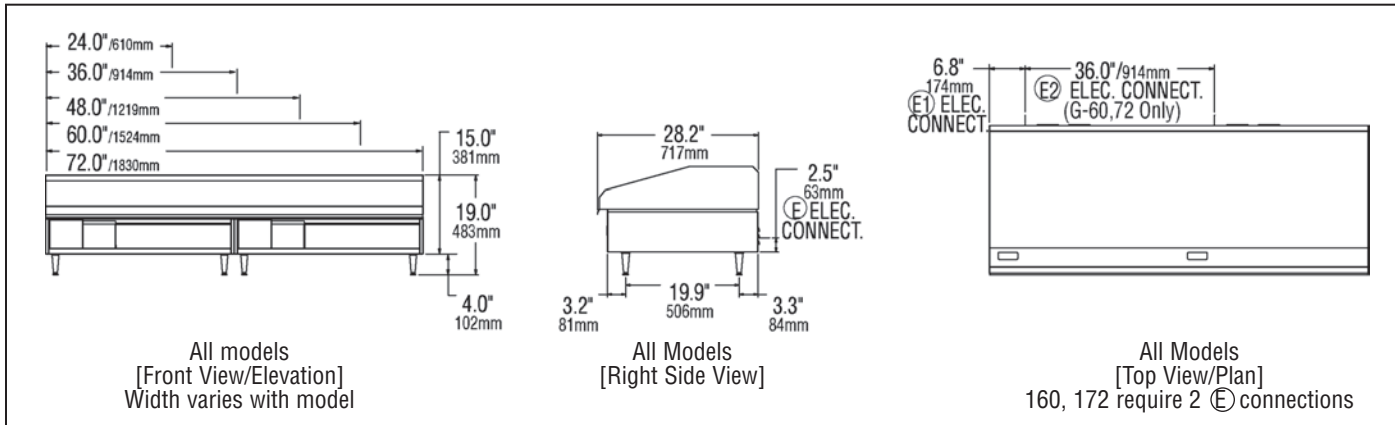
ChefSeries™ Electric, Counter Model Griddles Model: 124,136,148,160,172 [ZT, ZTC]

INSTALLATION REQUIREMENTS

- ⓔ 208V, 3-phase, field convertible to 240V or 1-phase; or 408V, 3-phase power connection
- ⓔ1 ⓔ2 Two electric connections required for 60 & for 72" wide units
- Installation under approved vent hood required. [Connections from rear. See other below for location and power requirements]

OPTIONS & ACCESSORIES

- Custom Grooving [Specified in 12" increments, from left to right. 24" maximum, from either side.]
- Top-welded – adds a continuous weld around inside splash perimeter
- Stainless steel tubular-leg stand with undershelf & adjustable feet
- Stainless steel tubular-leg stand with undershelf & casters
- Chrome griddle plate surface



Model	Height x Width x Depth (Not including legs)	Clearance from combustible surface	Weight		Freight Class
			Actual	Shipping	
124	16.57" x 24.0" x 29.67" 421mm x 610mm x 754mm	Sides: 2" Back: 2"	243 lbs. 110 kg	280 lbs. 127 kg	85
136	16.57" x 36.0" x 29.67" 421mm x 914mm x 754mm		368 lbs. 167 kg	410 lbs. 186 kg	85
148	16.57" x 48.0" x 29.67" 421mm x 1219mm x 754mm		483 lbs. 220 kg	515 lbs. 234 kg	85
160	16.57" x 60.0" x 29.67" 421mm x 1524mm x 754mm		621 lbs. 282 kg	665 lbs. 302 kg	85
172	16.57" x 72.0" x 29.67" 421mm x 1830mm x 754mm		724 lbs. 329 kg	800 lbs. 364 kg	85

Model	Total kW	Maximum AMP Per Line				
		208V/3-Phase	240V/3-Phase	408V/3-Phase	208V/1-Phase	240V/1-Phase
124	12.0	50.0	43.3	21.7	57.7	50.0
136	18.0	50.0	43.3	21.7	86.5	75.0
148	24.0	75.0	65.0	32.5	115.2	100.0
160	30.0 [12/18]*	50.0	43.3	21.7	86.5	75.0
172	36.0 [18/18]*	50.0	43.3	21.7	86.5	75.0

* Load split for the two power connections required.

CAD SYMBOLS & PRICING



Due to continuous improvements, specifications subject to change without notice.



Sheet No. LSP-GDZ (rev. 04/13)

LANG MANUFACTURING • 10 SUNNEN DR. ST. LOUIS, MO 63143
PHONE: 314-678-6315 • FAX: 314-781-5445 • www.langworld.com