



Item No. _____

Project _____

Quantity _____

ChefSeries™ Gas, Counter Model Griddles, Extended Depth Models: [224,236,248,260,272][ZTD/ZSD/ZTDC/ZSDC]



Model 236ZTD

SIZING AND PERFORMANCE GUIDE

Model	Unit Width	Approx.Surface Area	Burners	Approx. BTU Input*
<input type="checkbox"/> 224[ZTD/ZSD]	24"	720 sq. in.	2	70,000
<input type="checkbox"/> 236[ZTD/ZSD]	36"	1080 sq. in.	3	105,000
<input type="checkbox"/> 248[ZTD/ZSD]	48"	1440 sq. in.	4	140,000
<input type="checkbox"/> 260[ZTD/ZSD]	60"	1800 sq. in.	5	175,000
<input type="checkbox"/> 272[ZTD/ZSD]	72"	2160 sq. in.	6	210,000

* For both natural and propane gas

SHORT/BID SPECIFICATION

Griddle shall be a **LANG Manufacturing Model** __ [specify width: **24", 36", 48", 60" or 72"**]__ with: ACCU-TEMP Snap-action Thermostat Controls [ZTD], ACCU-TEMP Snap-action Thermostat Controls with chrome plate [ZTDC], SELECTRONIC Solid State Controls [ZSD] or SELECTRONIC Solid State Controls with chrome plate [ZSDC], gas heated aluminized burner system, with bottom baffles and direct spark electronic ignition; 1" thick polished cooking surface; 5-1/2" high side and back splash and full front 1" deep x 3-1/2" wide grease trough; double wall base construction; and all the features listed and the options/ accessories checked:

STANDARD PRODUCT WARRANTY

- Three year parts & labor
- 5 year guarantee on chrome plated surfaces when ordered

CONSTRUCTION FEATURES

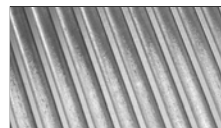
- 1" thick precision machined, polished steel cooking surface
- Continuously bottom welded 5-1/2" high rear & side splash shields
- Full front 3-1/2" wide X 1" deep stainless steel grease trough with...
- One or two [48", 60" & 72" models] drops provided to one or two grease drawers
- Double wall base construction
- Aluminized burner system spaced every 12"
- Heat shield provided below burners
- 4" adjustable legs provided [Stand option available]

PERFORMANCE FEATURES

- Thick griddle plate reduces hot & cold spots and retains heat
- Highly polished surface and continuously welded splash and grease trough speed cleanup
- Electronic spark ignition, double wall construction and heats shields increase operating efficiency
- Double wall construction and heat shells reduce side, back and bottom clearances

CONTROL PACKAGE [Specify One]

- ACCU-TEMP™ Thermostat Controls [-T]**
 - Snap-action thermostats
 - Independent temperature control every 12"
 - Electronic ignition, griddle-ON switch
 - 200° and 550°F temperature control range
- SELECTRONIC™ Solid State Controls [-S]**
 - Area sensitive Resistance Temperature Detector system
 - RTD probe reacts to a 1°F temperature change
 - Control for every 12" of cook surface
 - 175° to 450°F temperature control



FOCUS OPTION

Custom Grooving [Specified in 12" increments, from left to right. 24" maximum, from either side.]



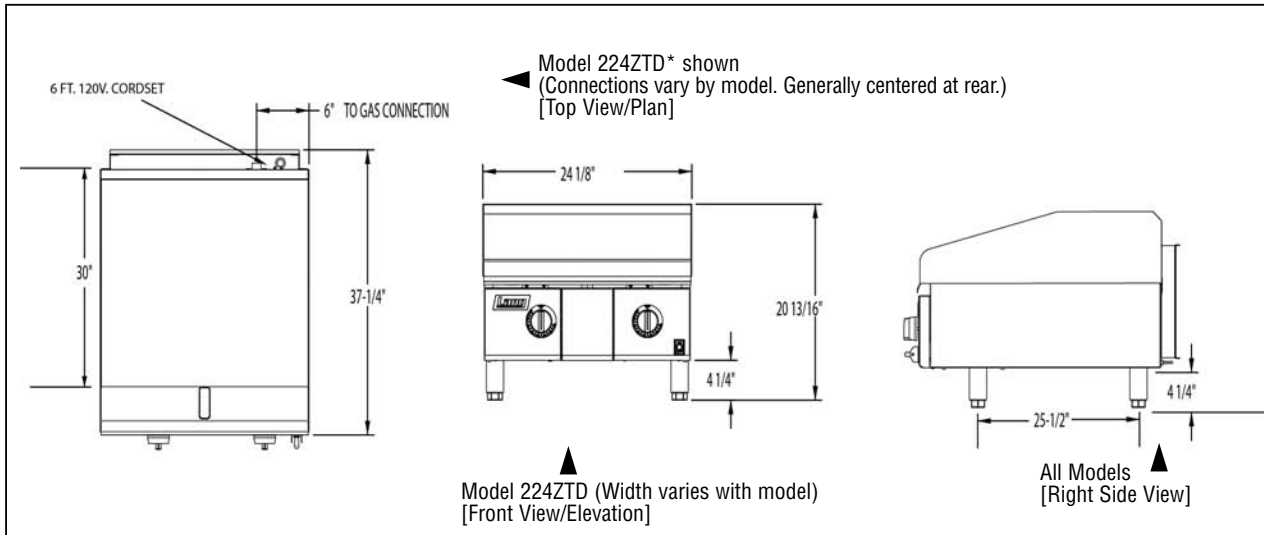
Sheet No. LSP-CSGD (rev. 06/14)

INSTALLATION REQUIREMENTS

- ⓐ Specify: natural gas or propane gas: via 3/4" NPT connection
 - Gas pressure regulator provided
 - Specify elevation if project is over 2000 feet.
 - ⓔ 115V, 1-Phase, 50/60 Hz, 2-AMP electrical connection
 - Cord & plug is provided
 - Installation under approved vent hood required.
- [All connections from rear. See below for location and delivery requirements]

OPTIONS & ACCESSORIES

- Custom Grooving [Specified in 12" increments, from left to right. 24" maximum, from either side.]
- Stainless steel tubular-leg stand with adjustable feet
- Stainless steel tubular-leg stand with casters & shelf
- Clamshell™ two sided cooking
- Chrome plated griddle surface



Model	Height x Width x Depth (Not including legs)	Clearance from combustible surface	Weight		Freight Class
			Actual	Shipping	
224Z[TD/SD]	16.5" x 24.0" x 37.25" 420mm x 610mm x 943mm	Sides: 4" Back: 4" Bottom: 4"	400 lbs. 181 kg	440 lbs. 199 kg	85
236Z[TD/SD]	16.5" x 36.0" x 37.25" 420mm x 914mm x 943mm		530 lbs. 240 kg	565 lbs. 256 kg	85
248Z[TD/SD]	16.5" x 48.0" x 37.25" 420mm x 1219mm x 943mm		680 lbs. 308 kg	730 lbs. 331 kg	85
260Z[TD/SD]	16.5" x 60" x 37.25" 420mm x 1524mm x 943mm		820 lbs. 372 kg	870 lbs. 395 kg	85
272Z[TD/SD]	16.5" x 72.0" x 37.25" 420mm x 1830mm x 943mm		960 lbs. 435 kg	1020 lbs. 463 kg	85

Model	ⓔ Electrical Requirements				ⓐ Gas Requirements (3/4" NPT)
	Voltage	Total kW	Phase	Amps/Line	
224Z[TD/SD]	115V/60Hz	0.5	1	2.0	70,000 BTU/hr
236Z[TD/SD]					105,000 BTU/hr
248Z[TD/SD]					140,000 BTU/hr
260Z[TD/SD]					175,000 BTU/hr
272Z[TD/SD]					210,000 BTU/hr

CAD SYMBOLS & PRICING



Due to continuous improvements, specifications subject to change without notice.



Sheet No. LSP-CSGD (rev. 06/14)