

# QuietQube® i-870C Remote Ice Cube Machine

Air-Cooled Ice Cube Machine with Patented CVD Technology®

## Model

- ID-0872C   
  IY-0874C



ID-0874C Ice Cube Machine - 115V



CVD Condensing Unit - 230V



IY-0874C Ice Machine  
on a B-570 Bin

QuietQube Series Remote System consists of a remote condensing unit, interconnecting refrigerant lines, ice machine head section along with an ice storage bin, countertop dispenser, or floor dispenser. All ordered separately. QuietQube ice machine with CVD condensing unit is designed as a Manitowoc system and cannot be used with any other ice machine or remote condenser brand.

- **Space-Saving Design** – Up to 815 lbs. (370 kgs.) daily ice production and only 30" (76.20 cm) wide.
- **Intelligent Diagnostics** – provide 24 hour preventative maintenance and diagnostic feedback for trouble free operation.
- **Acoustical Ice Sensing Probe** – for reliable operation in challenging water conditions.
- **EasyRead Display** – communicates operating status, cleaning reminders, and asset information through a blue illuminated display.
- **Programmable Ice Production** – by On/Off Time, Ice Volume or Bin Level (with accessory bin level control) further improves energy efficiency and savings.
- **Easy to Clean Foodzone** – Removable water-trough, distribution tube, splash shield, and sensing probes for fast and efficient cleaning. Select components made with AlphaSan® antimicrobial.
- **DuraTech™ Exterior** – provides superior corrosion resistance. Stainless finish with innovative clear-coat resists fingerprints and dirt.
- Available **LuminIce™ Growth Inhibitor** controls the growth of bacteria and yeast within the foodzone.

COMMERCIAL WARRANTY		
ICE MAKER	EVAPORATOR	COMPRESSOR
<b>3</b>	<b>5</b>	<b>5</b>
YEAR	YEAR	YEAR PARTS
PARTS AND LABOR	PARTS AND LABOR	3 YEAR LABOR

## Ice Shape



**Half Dice**  
 $\frac{3}{8}'' \times 1\frac{1}{8}'' \times \frac{7}{8}''$   
 (.95 x 2.86 x 2.22 cm)

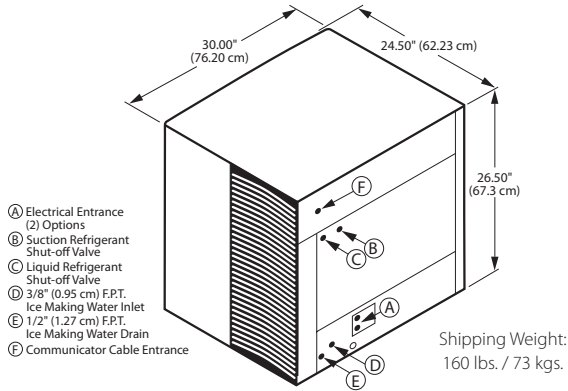


**Dice**  
 $\frac{7}{8}'' \times \frac{7}{8}'' \times \frac{7}{8}''$   
 (2.22 x 2.22 x 2.22 cm)





### i-870C Ice Machine



### Specifications

#### Operating Limits:

- Ambient Temperature Range: 35° to 110°F (1.7° to 43.3°C)
- Water Temperature Range: 35° to 90°F (1.7° to 32.2°C)
- Water Pressure Ice Maker Water In: Min. 20 psi (137.9 kPA) Max. 80 psi (551.1 kPA)

### Ice Machine Electric

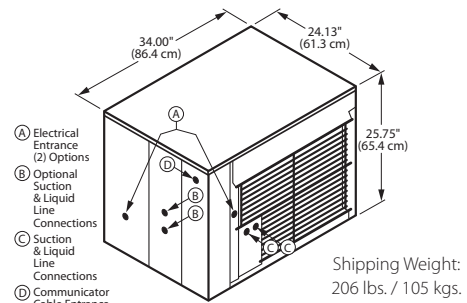
**115/60/1 standard.** (230/50/1 also available, consult factory.)  
**Total Amps: 1.1**  
**Max. fuse size: 15 amps**  
 HACR-type circuit breakers can be used in place of fuses.

### AuCS® Accessory

Automatic Cleaning System purchased as an option and installed in the field.



### iCVD-0895 Remote Condensing Unit



### Condensing Unit Electric

**208-230/60/1 standard.** 208-230/60/3 and 230/50/1 also available. 50 Hz version of this model meets the international standard, IEC335-1, requirements for "tropical rating," the most severe duty rating an ice machine can obtain, (consult factory). HACR-type circuit breakers can be used in place of fuses.

**Note:** QuietQube ice machine power supply is wired independent of CVD condensing unit.

#### Min. circuit ampacity:

11.8 1ph      9.1 3ph

#### Max. fuse size:

20 amps 1ph      15 amps 3ph

HACR-type circuit breakers can be used in place of fuses.

#### BTU Per Hour:

13,000 (average) 16,000 (peak)

#### Compressor:

Nominal rating: 1.5 HP

#### Operating Limits:

- Ambient Temperature Range: -20° to 130°F (-29° to 54°C)

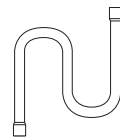
#### Installation Information and Dimensions:

**Maximum Line Length**  
 —100' (30.5 m)\*

**Maximum Vertical Rise\***  
 —35' (10.7 m) above ice machine.

**Maximum Vertical Drop**  
 —15' (4.5 m) below ice machine.

\*A rise over 20' (6 m) requires S-Trap Kit K-00172 - ordered separately.



### Interconnecting Tubing with Required Communication Wire\*

Communication wire comes with each of the following line sets

Model	Line Length		Weight	
	ft.	m.	lbs.	kgs.
RC-26	20	6	12	5
RC-36	30	9	20	9
RC-56	50	15	28	13

\*When using a non-Manitowoc line-set, a 186A 5-conductor communication cable must be installed between the head and condenser sections.

### Remote Air-cooled Ice Machine

Model	Ice Shape	Ice Production 24 Hours		Power kWh/100 lbs* @ 90°/70°F
		70°Air/50°F Water	90°Air/70°F Water	
ID-0872C	dice	665 lbs.	580 lbs.	6.54
		302 kgs.	263 kgs.	
IY-0874C	half-dice	815 lbs.	615 lbs.	6.09
		370 kgs.	279 kgs.	
Water usage/100 lbs./45.4 kgs. of Ice				
Potable Water: 20 gallons, 75.7 liters				

Ice machine for use with ice storage bin or ice dispenser and ICVD condensing unit all ordered separately.

\*kWh per 100 lbs. is total power of ice machine and condensing unit. Ice machine is 1 ph only. Condensing unit is 1 ph or 3 ph.