

Indigo™ Series 1000 Ice Cube Machine

Model: ID-1002A IY-1004A ID-1003W IY-1005W ID-1092N IY-1094N



Indigo Series i-1000
Ice Machine on B-570 Bin

Designed for operators who know that ice is critical to their business, the Indigo™ Series ice machine's preventative diagnostics continually monitor itself for reliable ice production. Improvements in cleanability and programmability make your ice machine easy to own and less expensive to operate.

- **Space-Saving Design** – Up to 1,020 lbs. (463 kgs.) daily ice production and only 30" (76.20 cm) wide.
- **Intelligent Diagnostics** – provide 24 hour preventative maintenance and diagnostic feedback for trouble free operation.
- **Acoustical Ice Sensing Probe** – for reliable operation in challenging water conditions.
- **EasyRead Display** – communicates operating status, cleaning reminders, and asset information through a blue illuminated display.
- **Programmable Ice Production** – by On/Off Time, Ice Volume or Bin Level (with accessory bin level control) further improves energy efficiency and savings.
- **Easy to Clean Foodzone** – Hinged front door swings out for easy access. Removable water-trough, distribution tube, curtain, and sensing probes for fast and efficient cleaning. Select components made with AlphaSan® antimicrobial.
- **DuraTech™ Exterior** – provides superior corrosion resistance. Stainless finish with innovative clear-coat resists fingerprints and dirt.
- Available **LuminIce™ Growth Inhibitor** controls the growth of bacteria and yeast within the foodzone.

Ice Machine Electric

208-230/60/1 standard
(208-230/60/3 and 230/50/1 also available.)

Minimum circuit ampacity:

| | | |
|---------------|----------|---------|
| Air-cooled: | 13.5 1ph | 9.5 3ph |
| Water-cooled: | 9.7 1ph | 8.5 3ph |
| Remote: | 10.7 1ph | 9.5 3ph |

Maximum fuse size:

| | | |
|---------------|--------|--------|
| Air-cooled: | 20 1ph | 15 3ph |
| Water-cooled: | 15 1ph | 15 3ph |
| Remote: | 15 1ph | 15 3ph |

Specifications

BTU Per Hour:

16,250 (average) 18,600 (peak)

Refrigerant:

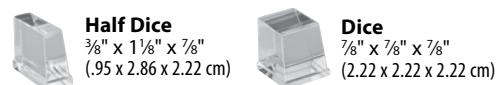
R-404A CFC-free

Operating Limits:

- Ambient Temperature Range: 35° to 110°F (1.7° to 43.3°C)
Water Temperature Range: 35° to 90°F (1.7° to 32.2°C)
- Water Pressure Ice Maker Water In:
Min. 20 psi (137.9 kPa)
Max. 80 psi (551.1 kPa)



Ice Shape



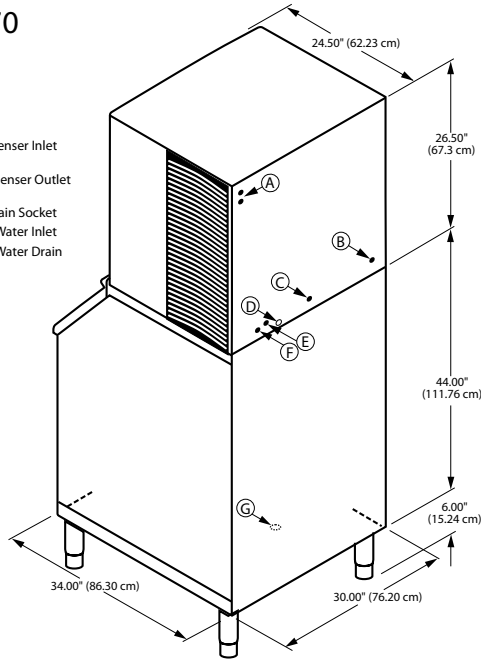
COMPANY WITH QUALITY SYSTEM



Indigo™ Series 1000 Ice Cube Machine

i-1000 on B-570 Storage Bin

- (A) Electrical Entrance (2) Options
- (B) 3/8" (0.95 cm) F.P.T. Water Condenser Inlet (water-cooled units)
- (C) 1/2" (1.27 cm) F.P.T. Water Condenser Outlet (water-cooled units)
- (D) 1/2" (1.27 cm) Auxillary Base Drain Socket
- (E) 3/8" (0.95 cm) F.P.T. Ice Making Water Inlet
- (F) 1/2" (1.27 cm) F.P.T. Ice Making Water Drain
- (G) 3/4" (1.91 cm) Bin Drain



Installation Note
Minimum installation clearance:
Top/sides: 8" (20.32 cm);
Back is 5" (12.7 cm)

Space-Saving Designs



| | i-1000 B-570 | i-1000 B-970* |
|-------------|----------------------|------------------------|
| Height | 76.50" 194.30 cm | 76.50" 194.30 cm |
| Width | 30.00" 76.20 cm | 48.00" 121.92 cm |
| Depth | 34.00" 86.30 cm | 34.00" 86.30 cm |
| Bin Storage | 430 lbs. 195 kgs. | 710 lbs. 322.2 kgs. |

Height includes adjustable bin legs 6.00" to 8.00", (15.24 to 20.32 cm) set at 6.00" (15.24 cm).

*K-00370 bin adapter required.

Specifications

| | Model | Ice Shape | Ice Production 24 Hours | | Power Usage kWh/100 lbs. @90°Air/70°F | | Water Usage/ 100 lbs. 45.4 kgs. of Ice | | ENERGY STAR* |
|---|----------|-----------|-------------------------|--------------------|---------------------------------------|------|--|----|--------------|
| | | | 70°Air/ 50°F Water | 90°Air/ 70°F Water | 1 Ph | 3 Ph | Potable Water | | |
| AIR-COOLED | ID-1002A | dice | 990 lbs. | 735 lbs. | 5.41 | 5.41 | 19.8 Gal. | | |
| | | | 449 kgs. | 333 kgs. | | | 75.0 L | | |
| AIR-COOLED | IY-1004A | half-dice | 1,010 lbs. | 745 lbs. | 5.36 | 5.36 | 19.8 Gal. | | |
| | | | 458 kgs. | 338 kgs. | | | 75.0 L | | |
| WATER-COOLED | ID-1003W | dice | 1,000 lbs. | 855 lbs. | 4.23 | 4.23 | 19.8 Gal. | NA | |
| | | | 454 kgs. | 388 kgs. | | | 75.0 L | | |
| WATER-COOLED | IY-1005W | half-dice | 1,010 lbs. | 870 lbs. | 4.07 | 4.07 | 19.8 Gal. | NA | |
| | | | 458 kgs. | 395 kgs. | | | 75.0 L | | |
| * Water-cooled Condenser Water Usage / 100 lbs. /45.4 kgs. Of Ice: 180 gal/681 L. * Water-cooled models are excluded from ENERGY STAR qualification. | | | | | | | | | |
| REMOTE-COOLED | ID-1092N | dice | 960 lbs. | 725 lbs. | 5.50 | 5.50 | 19.8 Gal. | | |
| | | | 435 kgs. | 329 kgs. | | | 75.0 L | | |
| REMOTE-COOLED | IY-1094N | half-dice | 1,020 lbs. | 775 lbs. | 5.28 | 5.28 | 19.8 Gal. | | |
| | | | 463 kgs. | 352 kgs. | | | 75.0 L | | |

Order ice storage bin separately. Ice storage bin and JC-0995 remote condenser must be ordered separately. Consult remote condenser specification sheet for details. To order 3 phase add "3" suffix to model # (ID-1002A3).

Accessories

LuminIce™ Growth Inhibitor reduces yeast and bacteria growth for a cleaner ice machine.



Bin Level Control Allows ice bin level to be automatically set. Built-in LED light illuminates bin.



Arctic Pure® Water Filters Reduces sediment and chlorine odors for better tasting ice.



AuCS® schedules and performs routine ice machine cleaning automatically.

