

# Manitowoc Marine Model Ice Cube Machine



**Manitowoc**



Series 850 Ice Machine  
MB-3044 Bin

| Marine Bins |                       |                  |
|-------------|-----------------------|------------------|
| Model       | Dimension             | Storage Capacity |
| MB-2238     | 22" W x 34" D x 38" H | 243 lbs.         |
| MB-3038     | 30" W x 34" D x 38" H | 332 lbs.         |
| MB-3044     | 30" W x 34" D x 44" H | 397 lbs.         |
| MB-4844     | 48" W x 34" D x 44" H | 672 lbs.         |
| MB-5244     | 52" W x 34" D x 44" H | 733 lbs.         |

## Marine Ice Machine Features

Five ice machine units available with Special Marine Specifications. Choose Series 600, 850, 1000, 1400 or 1800 water-cooled models. Ice production from 650 to 1,870 pounds per day.

- Water-proof control box housing
- Compressor ground wire
- Rugged, corrosion-free base
- Patented cleaning and sanitizing technology
- R-404A CFC-free refrigerant
- Cupra-nickel condenser adds protection from corrosive water elements
- Warranty
  - 5-year parts-and-labor on evaporator
  - 5-year parts and 3-year labor on compressor
  - 3-year parts-and-labor on all other components



Stainless Steel Bulkhead

- Stainless Steel
  - Top Cover
  - Cabinet Panels
  - Bulkhead
  - Frame
  - Brackets
  - Fasteners

## Marine Ice Bin Features

- Outer cabinet – 18 ga 304 stainless
- Inner cabinet – 18 ga 304 stainless
- Radius (cove) corners in liner
- Stainless steel flanged 6" legs
- Stainless steel ice scoop on stainless cable
- Warranty
  - 1-year material and workmanship



Bin leg



Ice scoop and chain



Bin cove corners



ISO 9001:2000  
Quality System  
Certified

**America's #1 Selling Ice Machine**

Ice Cube & Flake Machines • Ice Storage Bins • Ice Dispensers



# Manitowoc Marine Ice Cube Machine

| Series 600                     |           |
|--------------------------------|-----------|
| Model                          | Cube Size |
| SD-0603WMM                     | dice      |
| SY-0605WMM                     | half-dice |
| 21.50" H x 30.00" W x 24.50" D |           |

Order ice storage bin separately.

**Note:** Placing S-600 ice machine on non-Manitowoc bin or "F" model Manitowoc bin, requires installation of ice deflector K-00347.

**Electric:** 208-230/60/1 standard. (230/50/1 also available.)

**Min. circuit ampacity:** 7.9

**Max. fuse size:** 15 amps

**BTU Per Hour:** 9,000 (average) 13,900 (peak)

**Compressor:** Nominal rating: 1 HP

| Series 850                     |           |
|--------------------------------|-----------|
| Model                          | Cube Size |
| SD-0853WMM                     | dice      |
| SY-0855WMM                     | half-dice |
| 26.50" H x 30.00" W x 24.50" D |           |

Order ice storage bin separately.

To order 3 phase add "3" suffix to model # (SR-0851WMM3).

**Note:** Placing S-850 ice machine on non-Manitowoc bin or "F" model Manitowoc bin, requires installation of ice deflector K-00347.

**Electric:** 208-230/60/1 standard. (230/50/1 and 208-230/60/3 also available.)

**Min. circuit ampacity:** 10.3 - 1ph, 6.8 - 3ph

**Max. fuse size:** 20 amps - 1ph  
15 amps - 3ph

**BTU Per Hour:** 12,000 (average) 18,000 (peak)

**Compressor:** Nominal rating: 1-1/2 HP

| Series 1000                    |           |
|--------------------------------|-----------|
| Model                          | Cube Size |
| SD-1003WMM                     | dice      |
| SY-1005WMM                     | half-dice |
| 29.50" H x 30.00" W x 24.50" D |           |

Order ice storage bin separately.

To order 3 phase add "3" suffix to model # (SR-1001WMM3).

**Note:** Placing S-1000 ice machine on non-Manitowoc bin or "F" model Manitowoc bin, requires installation of ice deflector K-00347.

**Electric:** 208-230/60/1 standard. (230/50/1 and 208-230/60/3 also available.)

**Min. circuit ampacity:** 12.6 - 1ph, 8.9 - 3ph

**Max. fuse size:** 20 amps - 1ph  
15 amps - 3ph

**BTU Per Hour:** 16,000 (average) 22,000 (peak)

**Compressor:** Nominal rating: 1-3/4 HP

| Series 1400                    |           |
|--------------------------------|-----------|
| Model                          | Cube Size |
| SD-1403WMM                     | dice      |
| SY-1405WMM                     | half-dice |
| 26.50" H x 48.00" W x 24.50" D |           |

Order ice storage bin separately.

To order 3 phase add "3" suffix to model # (SR-1301WMM3).

**Note:** Placing S-1400 ice machine on non-Manitowoc bin or "F" model Manitowoc bin, requires installation of ice deflector K-00349.

**Electric:** 208-230/60/1 standard. (230/50/1 and 208-230/60/3 also available.)

**Min. circuit ampacity:** 16.1 - 1ph, 11.8 - 3ph

**Max. fuse size:** 30 amps - 1ph  
20 amps - 3ph

**BTU Per Hour:** 19,000 (average) 28,000 (peak)

**Compressor:** Nominal rating: 2 HP

| Series 1800                    |           |
|--------------------------------|-----------|
| Model                          | Cube Size |
| SD-1803WMM                     | dice      |
| SY-1805WMM                     | half-dice |
| 29.50" H x 48.00" W x 24.50" D |           |

Order ice storage bin separately.

To order 3 phase add "3" suffix to model # (SR-1801WMM3).

**Note:** Placing S-1800 ice machine on non-Manitowoc bin or "F" model Manitowoc bin, requires installation of ice deflector K-00349.

**Electric:** 208-230/60/1 standard. (230/50/1 and 208-230/60/3 also available.)

**Min. circuit ampacity:** 22.1 - 1ph, 12.0 - 3ph

**Max. fuse size:** 40 amps - 1ph  
20 amps - 3ph

**BTU Per Hour:** 24,000 (average) 36,000 (peak)

**Compressor:** Nominal rating: 3 HP

| WATER COOLED UNIT — 24-HOUR PRODUCTION † |            |     |            |            |     |             |            |     |             |            |     | lbs. kgs.   |            |       |       |
|--|------------|-----|------------|------------|-----|-------------|------------|-----|-------------|------------|-----|-------------|------------|-------|-------|
| SERIES 600                               |            |     | SERIES 850 |            |     | SERIES 1000 |            |     | SERIES 1400 |            |     | SERIES 1800 |            |       |       |
| air temp                                 | water temp |     | air temp   | water temp |     | air temp    | water temp |     | air temp    | water temp |     | air temp    | water temp |       |       |
| °F                                       | 50°        | 70° | 90°        | °F         | 50° | 70°         | 90°        | °F  | 50°         | 70°        | 90° | °F          | 50°        | 70°   | 90°   |
| °C                                       | 10°        | 21° | 32°        | °C         | 10° | 21°         | 32°        | °C  | 10°         | 21°        | 32° | °C          | 10°        | 21°   | 32°   |
| 70°                                      | 650        | 630 | 590        | 70°        | 880 | 810         | 730        | 70° | 1,000       | 930        | 830 | 70°         | 1,380      | 1,280 | 1,130 |
| 21°                                      | 295        | 286 | 268        | 21°        | 399 | 367         | 331        | 21° | 454         | 422        | 376 | 21°         | 627        | 582   | 514   |
| 80°                                      | 640        | 620 | 580        | 80°        | 870 | 800         | 720        | 80° | 990         | 920        | 820 | 80°         | 1,380      | 1,280 | 1,120 |
| 27°                                      | 290        | 281 | 263        | 27°        | 395 | 363         | 327        | 27° | 449         | 417        | 372 | 27°         | 627        | 582   | 509   |
| 90°                                      | 630        | 610 | 580        | 90°        | 860 | 790         | 710        | 90° | 980         | 910        | 810 | 90°         | 1,380      | 1,300 | 1,100 |
| 32°                                      | 286        | 277 | 263        | 32°        | 390 | 358         | 322        | 32° | 445         | 413        | 367 | 32°         | 627        | 591   | 509   |

†Production for Dice and Half Dice cubes.

## AuCS®SI Accessory



Automatic Cleaning System purchased factory installed in the machine or as an option for field retrofit.

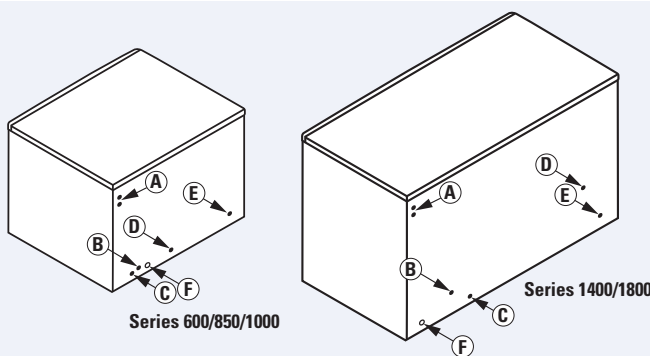
## 2 Cube Sizes Available

**Half Dice**  
3/8" x 1 1/8" x 7/8"  
(.95 x 2.86 x 2.22 cm)

**Dice**  
7/8" x 7/8" x 7/8"  
(2.22 x 2.22 x 2.22 cm)

## Operating Limits

- Ambient Temperature Range: 35°-110°F (4.4°-43.3°C)
- Water Temperature Range: 35°-90°F (4.4°-32.2°C)
- Water Pressure Ice Maker Water In: Min. 20 psi (137.9 kPa)  
Max. 80 psi (551.1 kPa)
- Condenser Inlet Water In: Min. 20 psi (137.9 kPa)  
Max. 150 psi (1,034.2 kPa)



- (A) Electrical Entrance (2) Options
- (B) 3/8" (0,95 cm) F.P.T. Ice Making Water Inlet
- (C) 1/2" (1,27 cm) F.P.T. Ice Making Water Drain
- (D) 1/2" (1,27 cm) F.P.T. Water Condenser Outlet
- (E) 3/8" (0,95 cm) F.P.T. Water Condenser Inlet
- (F) 1/2" (1,27 cm) Auxiliary Base Drain Socket

Installation Note: Minimum 2-3/4" clearance at back.

NSF c UL US LISTED D ISO 9001:2000 Quality System Certified

**FSC Mixed Sources**  
Product group from well-managed forests, controlled sources and recycled wood or fiber  
www.fsc.org Cert no. SW-COC-1886  
© 1996 Forest Stewardship Council



We are committed to protecting the environment and its resources. For up-to-date product data always view an electronic version on our web site.



Look for the EnergyMizer™ mark and you'll know you're getting the most from every energy dollar spent on foodservice equipment.  
[www.energymizer.com](http://www.energymizer.com)



MANITOWOC ICE, INC.  
2110 South 26th Street, P.O. Box 1720  
Manitowoc, WI 54221-1720, USA  
Ph: 920-682-0161 • Fax: 920-683-7589  
Visit us online at [www.manitowocice.com](http://www.manitowocice.com)

