



# RFS-0650 Flake Ice Machine

## Model

- RFS-0650A-161   
  RFS-0650W-161   
  RFS-0650A-261   
  RFS-0650W-261



Model RFS-0650A  
Flake Ice Machine  
on B-420 Bin

## Standard Features

- Up to 747 lbs. (339 kgs) daily flake ice production.
- Now in standard measurements for perfect pairing with 22" ice bins. No adapter needed.
- Service updates facilitate installation and make cleaning easier.
- Energy Improvements with RFS models averaging 5% across the line.
- Ice forms around object without bruising and holds objects in place without tipping/spilling.



## Specifications

### Condenser Heat of Rejection (BTU per hour):

Air: 10,250 (average)  
Water: 2,250 (average)

### Compressor:

Nominal rating: 1 HP

Refrigerant: R-404A

### Operating Limits:

- Ambient Temperature Range: 50°-110°F (10°-43°C)
- Water Temperature Range 37°-90°F (3°-32°C)
- Water Pressure Ice Maker Water In  
Min. 14 psi (96.5 kPa)  
Max. 80 psi (551.6 kPa)
- Condenser Inlet Water In: (water-cooled only)  
Min. 20 psi (137.9 kPa)  
Max. 150 psi (1034.2 kPa)  
Water Condenser not for sea water applications.

## Ice Machine Electric

208-230/60/1 and 115/60/1 standard. (230/50/1 also available.)

### Minimum circuit ampacity:

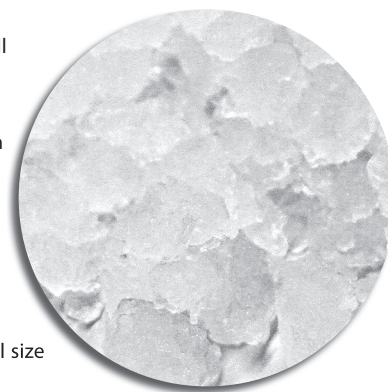
8.7 amps (208-230V air)  
8.2 amps (208-230V water)  
16.3 amps (115V air)  
15.4 amps (115V water)

### Maximum fuse size:

15 amps (208-230V)  
25 amps (115V)  
HACR-type circuit breakers can be used in place of fuses.

## Ice Shape

Flake ice is small hard bits of ice ideally suited for presentation applications.



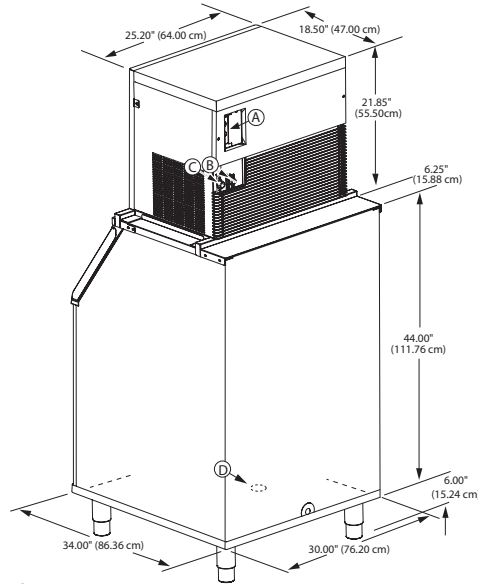
Ice shown actual size





# RFS-0650 Flake Ice Machine

## RFS-0650 on B-420 Storage Bin



- Ⓐ Electrical Entrance (2) Options
- Ⓑ 3/8" (0.95 cm) N.P.T. Ice Making Water Inlet
- Ⓒ 1/2" (1.27 cm) N.P.T. Ice Making Water Drain
- Ⓓ 3/4" (1.91 cm) Bin Drain

RF-Series 300

### Installation Note -

Minimum installation clearance:  
 Top/sides: 8" (20.32 cm),  
 Back: 5" (12.70 cm).

## Space-Saving Designs



### RFS-0650 on B-420

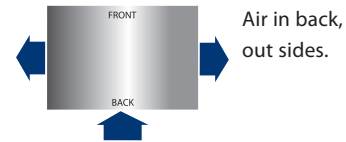
Height	76.00" 193.00 cm
Width	22.00" 55.90 cm
Depth	34.00" 86.36 cm
Bin Storage	310 lbs. 140.7 kgs

Height includes adjustable bin legs  
 6.00" to 7.00", (15.24 to 17.78 cm)  
 set at 6.00" (15.24 cm).

## Accessories

K-00365 30" B Style Bin Adapter

### Air Flow Overhead View



Model	Ice Shape	Ice Production 24 Hours Based on Air/Water Temp				Power kWh/100 lbs @ 90° Air/70°F Water	Potable Water Usage (100 lbs./ 45.4 kgs of Ice)	Condenser Water at 90/70°F 32° Air/21° C Water
		70° Air/50°F Water 21° Air/10° C Water	90° Air/70°F Water 32° Air/21° C Water					
RFS-0650A-261	Flake	747 lbs.	339 kgs	540 lbs.	245 kgs	4.74	12 gal./45.4 L	N/A
RFS-0650W-261	Flake	726 lbs.	329 kgs	586 lbs.	266 kgs	3.98	12 gal./45.4 L	70 gal./265 L
RFS-0650A-161	Flake	717 lbs.	325 kgs	530 lbs.	240 kgs	5.08	12 gal./45.4 L	N/A
RFS-0650W-161	Flake	722 lbs.	327 kgs	596 lbs.	270 kgs	3.93	12 gal./45.4 L	73 gal./276 L