

# NEO™ 310 Undercounter Ice Machines

## Models

- UR-0310A       UD-0310W       UY-0310W  
 UD-0310A       UY-0310A



U-310

- Up to 304 lbs (138 kg) of daily ice production
- 30" (76.20 cm) wide, 28.00" (67.31 cm) deep, and 38.50" (82.55 cm) high on 6" (15.24 cm) legs
- 100 lb. (45.35 kg) ice storage capacity

NEO undercounter ice machines are designed to provide ice right where you need it – within reach. Improvements in **Performance**, **Intelligence** and **Convenience** make your ice machine easy to own and less expensive to operate.

**Performance** – NEO produces more ice than ever before while using less water and energy. The storage bin provides industry leading capacity.

**Intelligence** – NEO provides feedback with full bin and service indicators. Delay function allows you to pause your machine for short periods or days when you're closed.

**Convenience** – NEO offers a forward-sliding storage bin for easy access to refrigeration components without having to move the entire ice machine. Smooth, sealed food-zone with removable water trough, distribution tube, and damper door for faster cleaning. AlphaSan added to key internal components.

Available **LuminIce™ Growth Inhibitor** extends cleaning intervals by reducing yeast and bacteria growth keeping your ice machine cleaner, longer.

## Specifications

**BTU Per Hour:**  
4,600 (average)  
5,450 (peak)

**Compressor:**  
Nominal rating: .75 HP

**Cupra-Nickel Condenser:**  
(Water-cooled models)  
Adds protection from corrosive water elements.

### Operating Limits:

- Ambient Temperature Range: 40° to 110°F (4.4° to 43.3°C)
- Water Temperature Range: 45° to 90°F (4.4° to 32.2°C)
- Water Pressure Ice Maker Water In: Min. 20 psi (137.9 kPa) Max. 80 psi (551.1 kPa)
- Condenser Inlet Water In: (Water-cooled only) Min. 20 psi (137.9 kPa) Max. 150 psi (1,034.2 kPa)



## Ice Shape



**Half Dice**  
3/8" x 1 1/8" x 7/8"  
(.95 x 2.86 x 2.22 cm)



**Dice**  
7/8" x 7/8" x 7/8"  
(2.22 x 2.22 x 2.22 cm)



**Regular**  
1 1/8" x 1 1/8" x 7/8"  
(2.86 x 2.86 x 2.22 cm)

## Ice Machine Electric

115/60/1. (208-230/60/1 and 230/50/1 available.) 115/60/1 ice machines are factory pre-wired with a 6' (180 cm) power cord and NEMA 5-15P-plug configuration. 208-230/60/1 ice machines are factory pre-wired with a 6' (180 cm) power cord only, no plug is supplied.

### Total Amps:

115/60/1 Air-cooled and Water-cooled: 10 amps

208-230/60/1 Air-cooled: 4.5 amps

### Maximum fuse size:

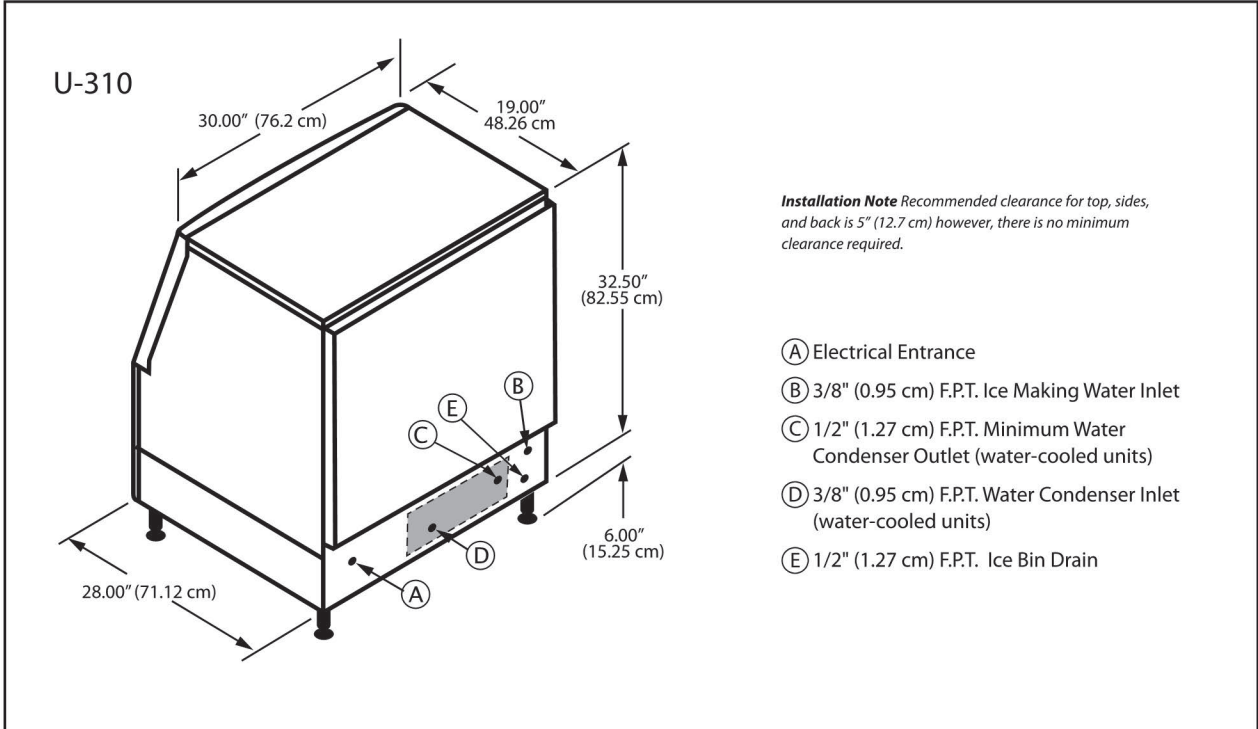
Air and Water-cooled: 15 amps

HACR-type circuit breakers can be used in place of fuses.





NEO™ 310 Undercounter Ice Machines



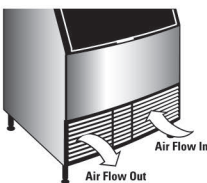
**Installation Note** Recommended clearance for top, sides, and back is 5" (12.7 cm) however, there is no minimum clearance required.

Specifications

Model	Ice Shape	Ice Production 24 Hours				Power kWh/ 100 lbs. @ 90°/70°F 32°/21°C	Potable water usage gal/100 lbs. ice @90/70°F	ENERGY STAR®
		70°Air/50°F Water 21°Air/10°C Water	90°Air/70°F Water 32°Air/21°C Water					
UR-0310A	regular	292 lbs	132 kg	226 lbs	103 kg	8.3	23.5	★
UD-0310A	dice	304 lbs	138 kg	235 lbs	107 kg	8.3	23.5	★
UD-0310W	dice	271 lbs	123 kg	250 lbs	114 kg	6.1	23.5	NA
UY-0310A	half-dice	304 lbs	138 kg	235 lbs	107 kg	8.3	23.5	★
UY-0310W	half-dice	271 lbs	123 kg	250 lbs	114 kg	6.1	23.5	NA

Water-cooled condensers Water Usage / 100 lbs/45.4 kgs. of Ice: 179 gal./677 liters

**Air Flow**



Air in right, air out left, no side vents. Great for installation under countertops and next to other equipment.

**Removable Bin**



**Air Filter**



Simple, tool-free removal for quick access during routine cleaning and maintenance.