



## BMG SERIES

### Bottom Mounted Medium Temp Glass Door Merchandisers

#### MODELS

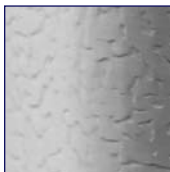
- BMG-27
- BMG-48
- BMG-52
- BMG-74
- BMG-80



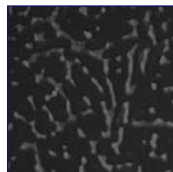
These ENERGY STAR® qualified models feature highly efficient compressors, generously-sized condensers and evaporators and EC evaporator motors. They may also qualify for energy rebate programs.

### FEATURES

#### NEW STANDARD TEXTURED FINISH



Standard white



Black also available

#### CONSTRUCTION

- 24 gauge painted textured steel interior and exterior
- Cord and plug standard on all self-contained models
- Replaceable magnetic vinyl door gaskets
- Five white epoxy-coated, heavy-duty, welded wire shelves with price tag molding per door (four cantilever and one bottom)
- Cantilever shelves are two-position and adjustable in 1" increments

- Equipped with T8 lamps and electronic ballasts
- Independent on/off light switch
- 2" foamed-in-place "zero ODP" urethane insulation

#### DOORS

- Door size:  
 BMG-27 .....30" x 63"  
 BMG-48/74 ..... 25<sup>1</sup>/<sub>8</sub>" x 63"  
 BMG-52/80 ..... 27<sup>1</sup>/<sub>8</sub>" x 63"
- Black door rails and handles
- Extra large, auto-close, triple pane, safety glass doors
- 90° hold-open feature
- Adjustable torsion bar hinges
- Door hinges easily adjustable for closing tension and leveling

#### REFRIGERATION

- Self-contained, factory tested, bottom mounted refrigeration system
- Top mounted low profile interior fan housing
- Automatic condensate evaporator
- Refrigerant: R-134a

- Minimum 4" clearance required between cabinet back and wall
- Temperature range:  
 34° to 41°F (1° to 5°C)
- R-factor (insulation efficiency rating): 17.24

#### WARRANTY

- Standard limited three year extended compressor and two year limited parts and labor

#### OPTIONS

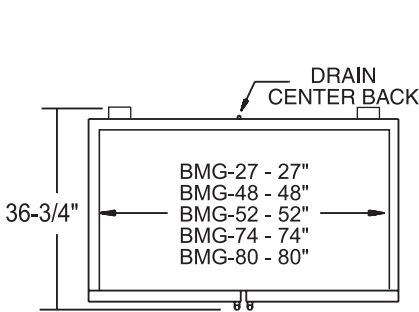
- Add suffix "R" for remote system (For BMG-48 and BMG-74 only)
- Custom colors
- Baskets
- Casters
- Additional shelves



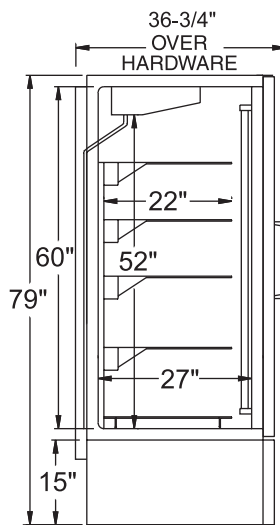
# BMG SERIES BOTTOM MOUNTED MEDIUM TEMP GLASS DOOR MERCHANDISERS

## TECHNICAL SPECIFICATIONS

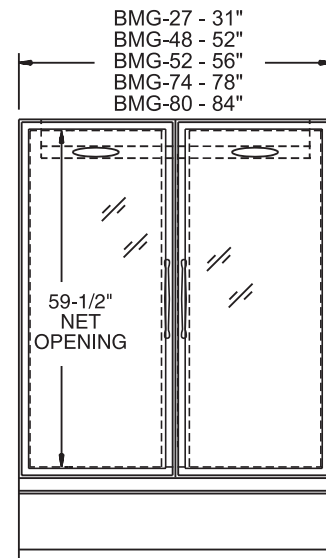
MODEL	DIMENSIONS (in.)			DIMENSIONS (mm)			VOLTS	AMPS	UNIT H.P.	NO. OF DOORS	CAP. CU. FT.	SHIP CU. FT.	SHIP WT. (LB/KG)
	L	D	H	L	D	H							
BMG-27	31	36 <sup>3</sup> / <sub>4</sub>	79	787	933	2007	115	6.5	1/5	1	27.5	79.0	520/236
BMG-48	52	36 <sup>3</sup> / <sub>4</sub>	79	1321	933	2007	115	7.5	1/3	2	49.0	117.0	755/343
BMG-52	56	36 <sup>3</sup> / <sub>4</sub>	79	1422	933	2007	115	7.5	1/3	2	53.0	128.0	775/352
BMG-74	78	36 <sup>3</sup> / <sub>4</sub>	79	1981	933	2007	115	11.3	1/2	3	75.5	168.0	1025/466
BMG-80	84	36 <sup>3</sup> / <sub>4</sub>	79	2134	933	2007	115	11.3	1/2	3	81.6	185.0	1065/484



PLAN VIEW



SIDE VIEW



ELEVATION VIEW

## LISTINGS



## HOOKUP

Via plug in, 9 foot long, flexible three wire 14/3 cord with molded plug.



## BID SPECIFICATIONS

Item no. BMG-\_\_\_\_\_ .  
Provide \_\_\_\_\_ ( )  
Bottom Mounted Medium Temp Glass Door Merchandiser(s), Master-Bilt model no. BMG- \_\_\_\_\_ .  
Merchandiser will feature textured finish on interior and exterior and will be provided with adjustable torsion bar hinges, top mounted low profile interior

fan housing, automatic condensate evaporator, T8 bulbs, independent on/off light switch and black door rails and handles. Merchandiser also to be equipped with five white epoxy-coated shelves (four cantilever and one bottom) with price tag molding per door.  
The refrigeration system is to be bottom mounted, self-contained and use R-134a re-

frigerant. The temperature range will be 34° to 41°F (1° to 5°C).  
Merchandiser to have standard limited three year extended compressor warranty and two year limited parts and labor warranty.  
Merchandiser to be UL, C-UL and NSF listed as well as ENERGY STAR qualified.

**NOTE: Cabinet designed for optimum performance in air-conditioned area at 75°F ambient and 55% relative humidity. All specifications subject to change without notice.**



908 Highway 15 North • New Albany, MS 38652  
PHONE: 800-647-1284 or 662-534-9061 • FAX: 800-232-3966 or 662-534-6049 • www.master-bilt.com

