



BSG-48



BSG SERIES

Bottom Mounted Medium Temp Sliding Glass Door Merchandisers

MODELS

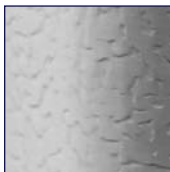
- BSG-48
- BSG-74



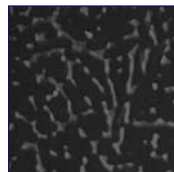
These ENERGY STAR[®] qualified models feature highly efficient compressors, generously-sized condensers and evaporators and EC evaporator motors. They may also qualify for energy rebate programs.

FEATURES

NEW STANDARD TEXTURED FINISH



Standard white



Black also available

CONSTRUCTION

- 24 gauge painted textured steel interior and exterior
- Cord and plug standard on all self-contained models
- Five white epoxy-coated, heavy-duty, welded wire shelves with price tag molding per door (four cantilever and one bottom)
- Cantilever shelves are two-position and adjustable in 1" increments

- Equipped with T8 lamps and electronic ballasts
- Independent on/off light switch
- 2" foamed-in-place "zero ODP" urethane insulation

DOORS

- Flush mount doors
- Self-closing
- Stainless steel roller tracks
- Black door rails and handles
- Door easily adjustable for closing tension and leveling

REFRIGERATION

- Self-contained, factory tested, bottom mounted refrigeration system
- Top mounted low profile interior fan housing
- Automatic condensate evaporator
- Refrigerant: R-134a
- Minimum 4" clearance required between cabinet back and wall

- Temperature range: 34° to 41°F (1° to 5°C)
- R-factor (insulation efficiency rating): 17.24

WARRANTY

- Standard limited three year extended compressor and two year limited parts and labor

OPTIONS

- Add suffix "R" for remote system
- Custom colors
- Baskets
- Casters
- Additional shelves

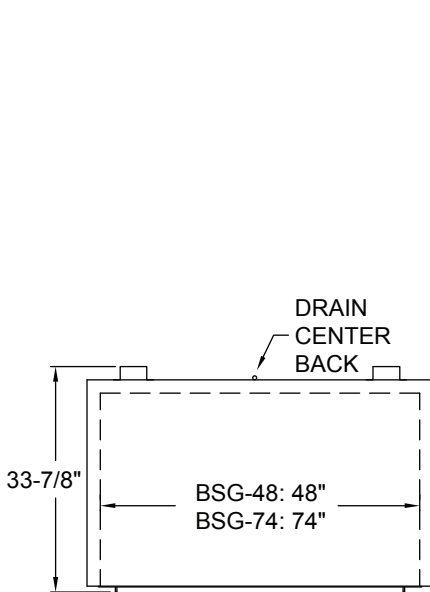


BSG SERIES

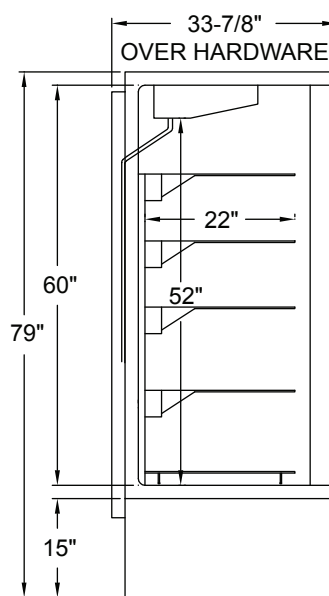
BOTTOM MOUNTED MEDIUM TEMP SLIDING GLASS DOOR MERCHANDISERS

TECHNICAL SPECIFICATIONS

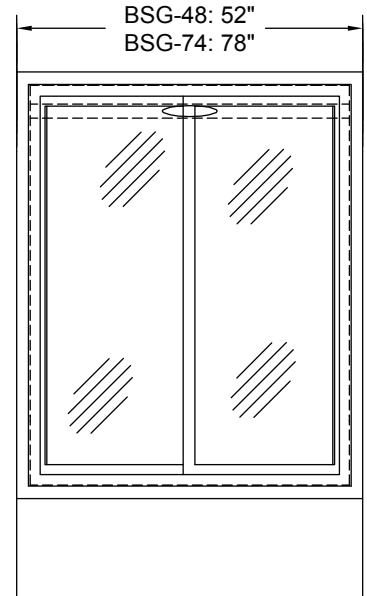
MODEL	DIMENSIONS (in.)			DIMENSIONS (mm)			VOLTS	AMPS	UNIT H.P.	NO. OF DOORS	CAP. CU. FT.	SHIP CU. FT.	SHIP WT. (LB/KG)
	L	D	H	L	D	H							
BSG-48	52	33 ⁷ / ₈	79	1321	860	2007	115	7.5	1/3	2	49.0	117.0	755/343
BSG-74	78	33 ⁷ / ₈	79	1981	860	2007	115	11.3	1/2	3	75.5	168.0	1025/466



PLAN VIEW



SIDE VIEW



ELEVATION VIEW

LISTINGS



HOOKUP

Via plug in, 9 foot long, flexible three wire 14/3 cord with molded plug.



BID SPECIFICATIONS

Item no. BSG- _____ .
 Provide _____ ()
 Bottom Mounted Medium Temp Sliding Glass Door Merchandiser(s), Master-Bilt model no. BSG-____ .
 Merchandiser will feature textured finish on interior and exterior and will be provided with top mounted low profile interior fan housing, automatic conden-

sate evaporator, T8 bulbs, independent on/off light switch and black door rails and handles. Merchandiser also to be equipped with five white epoxy-coated shelves (four cantilever and one bottom) with price tag molding per door.
 The refrigeration system is to be bottom mounted, self-contained and use R-134a refrigerant. The temperature range will be

34° to 41°F (1° to 5°C).
 Merchandiser to have standard limited three year extended compressor warranty and two year limited parts and labor warranty.
 Merchandiser to be UL, C-UL and NSF listed as well as ENERGY STAR qualified.

NOTE: Cabinet designed for optimum performance in air-conditioned area at 75°F ambient and 55% relative humidity. All specifications subject to change without notice.



908 Highway 15 North • New Albany, MS 38652
 PHONE: 800-647-1284 or 662-534-9061 • FAX: 800-232-3966 or 662-534-6049 • www.master-bilt.com