



CM/CL SERIES

Step-in Coolers & Freezers

COOLERS

- CM-3-50
- CM-156-50
- CM-156-75

FREEZERS

- CL-5-75
- CL-5-100
- CL-156-100
- CL-156-200

FEATURES

CONSTRUCTION

- Self-contained models intended for indoor use only
- Assembled storage space capacity:
 - CM-3-50, CL-5-75 & CL-5-100 95 cu. ft.
 - CM-156-50, CM-156-75, CL-156-100 & CL-156-200 156 cu. ft.
- Prefabricated, metal-clad panel construction
- .080 textured aluminum interior floor with stainless steel door sill plate
- Low profile, top mounted interior evaporator coil for extra clearance (low profile, top mounted interior fan housing in CM-3-50 model)
- Highly visible, exterior-mounted digital thermometer
- Moisture-proof interior lamp
- Exterior light switch with pilot indicator light
- Low wattage emergency light
- CM models feature 8 foot long power cord with molded plug
- 4" thick 97% closed cell rigid, pour-type foamed-in-place "zero ODP" urethane insulation

FINISH

- 26 gauge stucco embossed galvalume walls interior and exterior

DOOR

- Infitting type (28" x 63" clear opening) with self-closing spring-loaded hinges
- Hydraulic door closure (CM-156 & CL-156 models only)
- Magnetic, replaceable vinyl door gaskets
- Adjustable hinge backing plates
- Deadbolt-locking handle with pad locking provision
- Inside safety release
- Freezer models contain electric door perimeter warmer cable system

REFRIGERATION

- Factory-assembled, roof mounted refrigeration with thermostatic air control
- CL models feature hermetic compressors with expansion valve, electric defrost and defrost termination/fan delay control

- CM models feature hermetic compressors with capillary tube metering
- 22" vinyl tubing drain line
- Temperature ranges:
 - CM models 34° to 41°F (1° to 5°C)
 - CL-5-75 & CL-156-100 0° to -10°F (-18° to -24°C)
 - CL-5-100 & CL-156-200 0° to -20°F (-18° to -29°C)

WARRANTY

- Standard limited one year compressor (optional four year available), one year limited parts and labor, limited 10 year panel

OPTIONS

- Remote refrigeration systems
- Four year extended compressor warranty
- Automatic condensate evaporator
- Welded wire, chrome-plated shelving



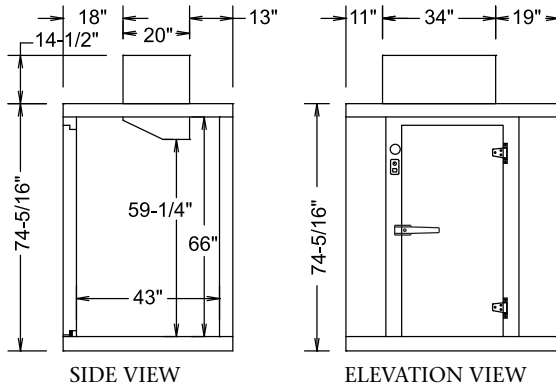
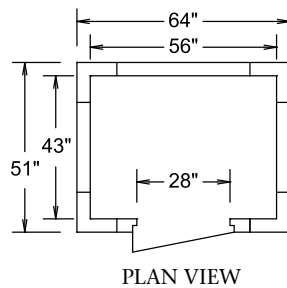
CM/CL SERIES STEP-IN COOLERS & FREEZERS

TECHNICAL SPECIFICATIONS

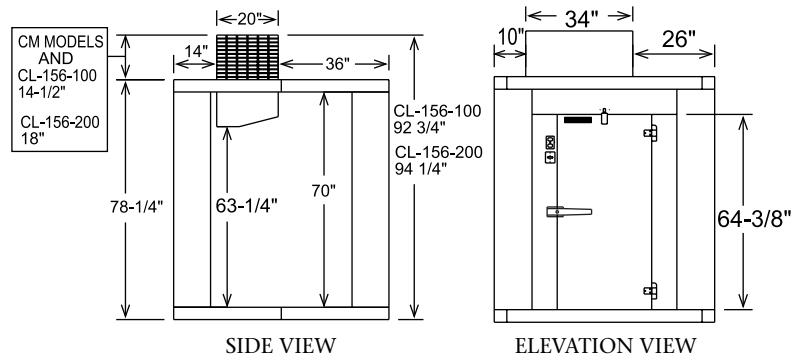
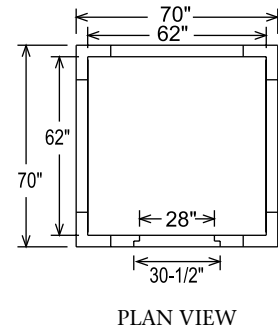
| MODEL | DIMENSIONS (in.) | | | DIMENSIONS (mm) | | | VOLTS | AMPS | UNIT H.P. | CAP. CU. FT. | SHIP CU. FT. | SHIP WT. LB/KG |
|---|------------------|----|---------------------|-----------------|------|------|-------------|----------|-----------|--------------|--------------|----------------|
| | L | D | H* | L | D | H* | | | | | | |
| COOLERS (SELF-CONTAINED MODELS FOR INDOOR USE ONLY) | | | | | | | | | | | | |
| CM-3-50 | 64 | 51 | 88 ^{13/16} | 1626 | 1295 | 2254 | 115 | 10.3 | 1/2 | 95.0 | 165.0 | 841/381 |
| CM-156-50 | 70 | 70 | 92 ^{3/4} | 1778 | 1770 | 2350 | 115 | 10.3 | 1/2 | 156.0 | 182.5 | 1110/503 |
| CM-156-75 | 70 | 70 | 92 ^{3/4} | 1778 | 1770 | 2350 | 115 | 13.8 | 3/4 | 156.0 | 182.5 | 1135/515 |
| FREEZERS (SELF-CONTAINED MODELS FOR INDOOR USE ONLY) | | | | | | | | | | | | |
| CL-5-75 | 64 | 51 | 88 ^{13/16} | 1626 | 1295 | 2256 | 115 | 18.7 | 3/4 | 95.0 | 165.0 | 891/404 |
| CL-5-100 | 64 | 51 | 88 ^{13/16} | 1626 | 1295 | 2256 | 115/208-230 | 1.3/12.1 | 1 | 95.0 | 165.0 | 896/406 |
| CL-156-100 | 70 | 70 | 92 ^{3/4} | 1778 | 1770 | 2356 | 115/208-230 | 1.6/8.5 | 1 | 156.0 | 182.5 | 1150/522 |
| CL-156-200 | 70 | 70 | 96 ^{1/4} | 1778 | 1770 | 2432 | 115/208-230 | 1.6/18.1 | 2 | 156.0 | 182.5 | 1190/540 |

*Height includes refrigeration unit mounted in roof panel.

CM-3-50/CL-5
MODELS



CM-156/CL-156
MODELS



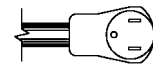
LISTINGS



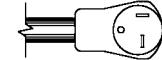
Factory Mutual System approval for panels only.

HOOKUP

- CM-3-50: Via plug in, 10 foot long, flexible 3 wire 16/3 cord with molded plug.
- CM-156-50 and CM-156-75: Via plug in, 10 foot long, flexible 3 wire cord (CM-156-50 with 16/3 cord, CM-156-75 with 14/3 cord) with molded plug.
- CL-156 models: Hardwired with separate junction boxes for 115V and 208-230V.
- CL-5-75: Hardwired for 115/60/1.
- CL-5-100: Hardwired with separate junction boxes for 115/60/1 and 208-230/60/1.



NEMA 5-15P
(CM-3-50 and CM 156-50)



NEMA 5-20P (CM 156-75)

NOTE: Cabinet designed for optimum performance in air-conditioned area at 75°F ambient and 55% relative humidity. All specifications subject to change without notice.



908 Highway 15 North • New Albany, MS 38652
PHONE: 800-647-1284 or 662-534-9061 • FAX: 800-232-3966 or 662-534-6049 • www.master-bilt.com

