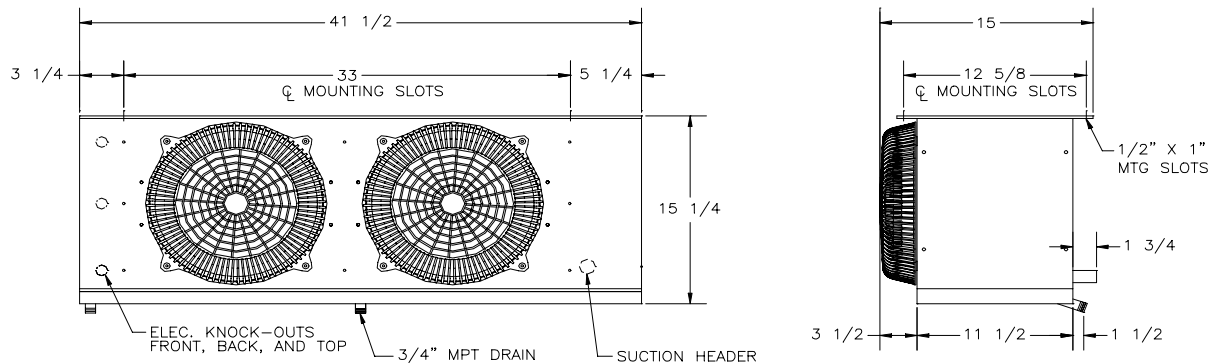




General				
Refrigerant	Voltage	Evaporator Model		
R-404A	208-230/60/1	SE26-60BD		
Capacity (Btuh)				
-20	-10	0	30	40
5700	6000	6200	0	0
Dimensional Data				
Overall				
L	W	H		
42	15	16		
Installation				
Ship Weight	Connections		Refrigerant	
	Liquid	Suction		
61	1/2	7/8	R-404A	
Electrical				
No. of Fans	Fan Amps	Defrost Amps		
2	0.9	7.0		
Expansion Valve				
TXV Part No.	Sporlan Part No.	Inlet	Outlet	Orifice
09-09444	EBFSE-A-ZP	3/8	1/2	



Due to continuous product development, specifications and other information listed here are subject to change without notice

