

ITEM NO. _____
PROJECT _____
LOCATION _____
DATE _____ QTY. _____



MPWW SERIES Heated Roll-Thru Cabinets

MODELS

- MPWW332
- MPWW724



FEATURES

STANDARD ELECTRONIC CONTROL

- Increases efficiency, reliability and convenience
- Convenient panel interface on the front of the merchandiser
- Decreases service time and calls
- Eliminates additional digital thermometer or other temperature indicator

CONSTRUCTION

- Exterior front, sides and doors are stainless steel
- Exterior top and bottom are galvanized steel
- All exterior joints and seams fold in without lap joints
- Interior liner and door panels are stainless steel
- 2" foamed-in-place polyurethane insulated walls

- Roll-in entrance ramp
- Digital thermometer
- Each compartment has stainless steel bumper/cart guides
- Interior incandescent light activated by a switch for the doors
- Maximum cart size:
24"L x 29³/₄"D x 65¹/₂"H

DOORS

- Available with lefthand or righthand door swing
- Heavy-duty pivot hinges
- Centered key locks
- Horizontal handles
- Self-adjusting magnetic gaskets

HEATING SYSTEM

- Electrically operated 1500 watt heating system for two-door model, 3000 watt system for four-door model
- System controlled by thermostat mounted on front of cabinet

- Heating element located in interior ducting
- Forced ducted air distribution maintains desired uniform temperature throughout cabinet
- Operating temperature adjustable from 180°F to 200°F (82°C to 93°C)

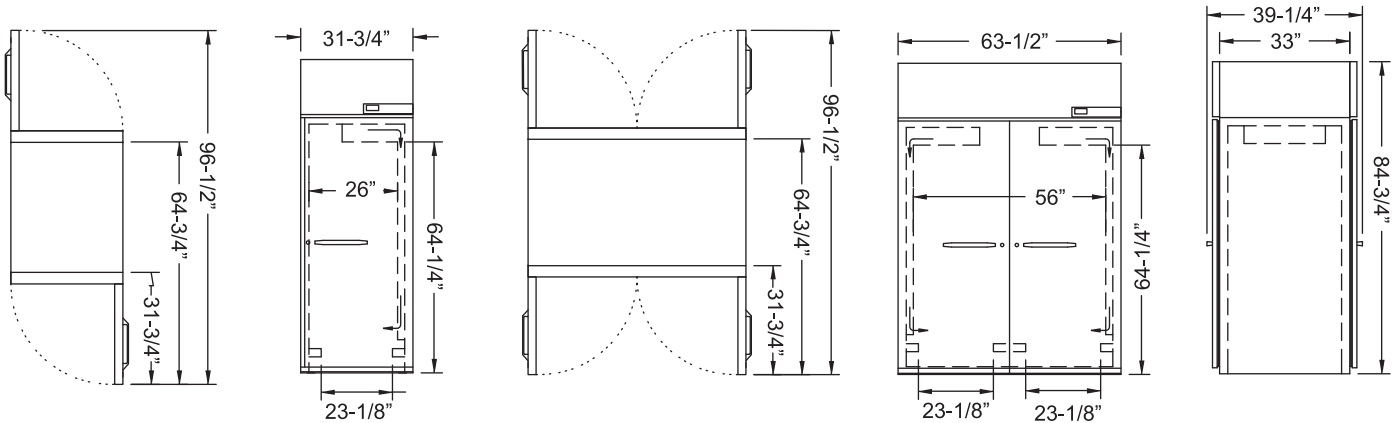
WARRANTY

- Limited two year parts and labor

TECHNICAL SPECIFICATIONS

MODEL	DIMENSIONS (in.)			DIMENSIONS (mm)			VOLTS*	AMPS	HEATER WATT-AGE	NO. OF DOORS	RAMP INCLINE (degrees)	CAP. CU. FT.	SHIP CU. FT.	SHIP WT. LB/KG
	L	D	H	L	D	H								
MPWW332	31 ³ / ₄	39 ¹ / ₄	84 ³ / ₄	806	997	2153	115	12.5	1500	2	7	36.4	76.9	375/170
MPWW724	63 ¹ / ₂	39 ¹ / ₄	84 ³ / ₄	1613	997	2153	115/208-230	15.2	3000	4	7	78.1	144.9	545/261

*MPWW724 operates on a minimum of 208 volts. A voltage boosting transformer (part no. 39-01087) must be used when the supply voltage is less than 208 volts.



**MPWW332
PLAN VIEW**

**MPWW332
ELEVATION
VIEW**

**MPWW724
PLAN VIEW**

**MPWW724
ELEVATION
VIEW**

**SIDE VIEW
(BOTH)**

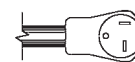
LISTINGS



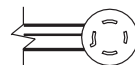
HOOKUP

MPWW332: 10 foot long flexible three wire 12/3 cord with molded plug.

MPWW724: Via plug in, 10 foot long flexible four wire 208-230v 12/4 cord with neutral and ground wires and molded plug.



NEMA 5-20P (MPWW332 model)



NEMA L14-20P (MPWW724)

BID SPECIFICATIONS

Item no. MPWW _____
Provide _____ () Heated Roll-Thru Cabinet(s), Master-Bilt model no. MPWW _____.

Cabinet will feature stainless steel ex-terior sides and doors. The exterior top and bottom will be galvanized steel while the interior liner and door panels will be stainless steel.

Standard features include an electronic controller system, stainless steel bumper/cart

guides for each compartment and an interior incandescent light activated by switch for the doors.

Doors will feature heavy-duty pivot hinges, centered key locks, horizontal handles and self-adjusting magnetic gaskets.

An electrically operated 1500 watt heating system will be standard on two-door models. A 3000 watt system will be standard on four-door models. The heating

system will be controlled by a thermostat mounted on the cabinet front. A forced ducted air distribution system will provide uniform temperature throughout cabinet. The operating temperature will be adjustable from 180°F to 200°F (82°C to 93°C).

Cabinet to have standard limited two year parts and labor warranty.

Cabinet to be UL and C-UL listed and UL EPH classified.

NOTE: Cabinet designed for optimum performance in air-conditioned area at 75°F ambient and 55% relative humidity. All specifications subject to change without notice.