



ITEM NO. _____
 PROJECT _____
 LOCATION _____
 DATE _____ QTY. _____



MRR152 (shown with optional refrigerated drawers)

MRR SERIES

Refrigerated Preparation Tables

MODELS

- MRR152
- MRR192
- MRR243
- MRR283
- MRR324



FEATURES

CONSTRUCTION

- Exterior front, sides, top and doors are stainless steel
- Exterior bottom and back are galvanized steel
- Interior liner and door panel are smooth aluminum
- Foamed-in-place polyurethane insulated walls
- Maximum number of pans:
 - MRR152: (6) 1/3 or (12) 1/6 size
 - MRR192: (8) 1/3 or (16) 1/6 size
 - MRR243: (9) 1/3 or (18) 1/6 size
 - MRR283: (11) 1/3 or (22) 1/6 size
 - MRR324: (12) 1/3 or (24) 1/6 size
- Four standard 4 1/2" casters
- Standard 1/6 size polycarbonate pans
- Standard cutting board
- Raised condiment rail with stainless steel lids
- One epoxy coated shelf per door

DOORS

- Standard pull door handles

Number of doors:

- MRR152 & MRR192.....2
- MRR243 & MRR283.....3
- MRR3244

REFRIGERATION

- Bottom mounted, self-contained refrigeration system
- Separate temperature controls for the pan well and storage areas
- Refrigerant: R-134a
- Automatic defrost in the storage area with a separate power switch in the pan well area for easy manual defrost
- Prep tables may be enclosed on three sides since air intake and exhaust is through the base of the unit
- Minimum 4" clearance from bottom of cabinet to floor
- Refrigerant controlled by expansion valve
- Temperature range: 33° to 41°F (1° to 5°C) in pan well area, 34° to 41°F (1° to 5°C) in storage area

WARRANTY

- Standard limited three year extended compressor and two year limited parts and labor

OPTIONS

- 6" legs in lieu of casters
- Door locks
- Self-standing bun pan rack
- Refrigerated drawers (set of 2 per door opening) except right door
- Stainless steel interior
- Stainless steel pans
- Extra polycarbonate pans

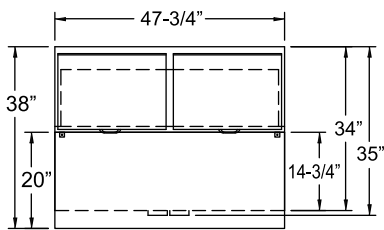


TECHNICAL SPECIFICATIONS

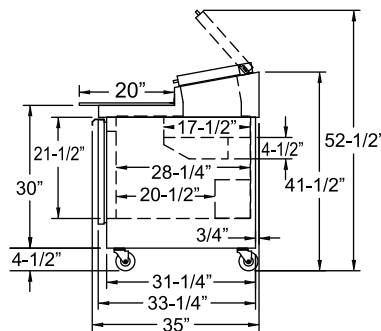
MODEL	DIMENSIONS (in.)			DIMENSIONS (mm)			VOLTS	AMPS	UNIT H.P.	NO. OF SHELVES	NO. OF 1/6 SIZE PANS***	CAP. CU. FT.	SHIP CU. FT.	SHIP WT. LB/KG
	L	D*	H**	L	D*	H**								
MRR152	47 ³ / ₄	38	43 ¹ / ₂	1213	889	1105	115	9.1	1/4	1 per door	12	15.0	62.6	420/191
MRR192	59 ³ / ₄	38	43 ¹ / ₂	1518	889	1105	115	8.5	1/4	1 per door	16	19.0	76.8	450/205
MRR243	71 ³ / ₄	38	43 ¹ / ₂	1822	889	1105	115	8.8	1/3	1 per door	18	24.0	90.9	470/214
MRR283	83 ³ / ₄	38	43 ¹ / ₂	2127	889	1105	115	8.8	1/3	1 per door	22	28.0	105.0	480/218
MRR324	95 ³ / ₄	38	43 ¹ / ₂	2432	889	1105	115	8.8	1/3	1 per door	24	32.0	119.2	490/223

*Depth includes cuttingboard. **Height includes casters. ***Pans are 6" deep, 2.25 liter capacity.

MODEL MRR152

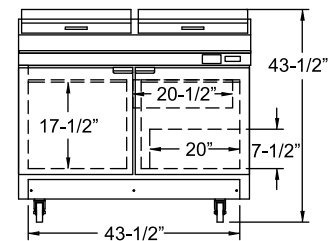


PLAN VIEW



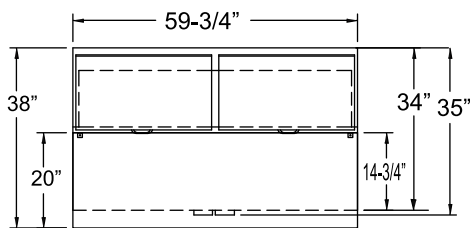
SIDE VIEW

DOOR OPENINGS - WIDTH: 20-1/4", HEIGHT: 18"

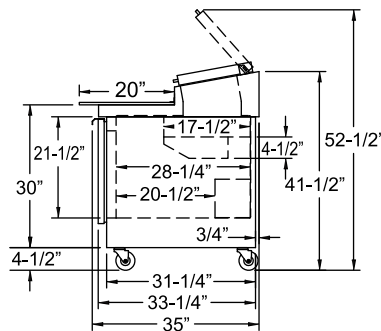


ELEVATION VIEW

MODEL MRR192

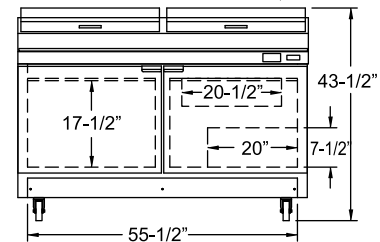


PLAN VIEW



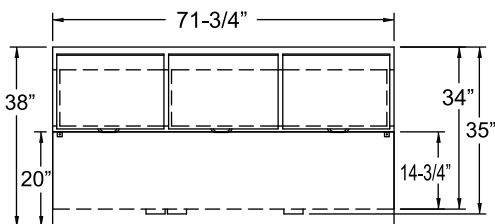
SIDE VIEW

DOOR OPENINGS - WIDTH: 26-1/4", HEIGHT: 18"

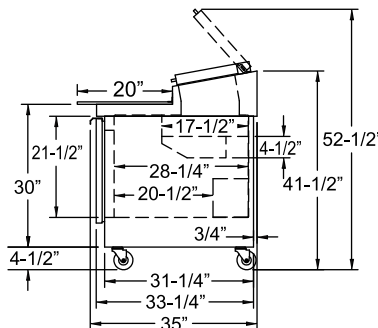


ELEVATION VIEW

MODEL MRR243

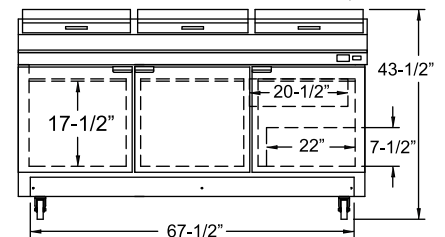


PLAN VIEW



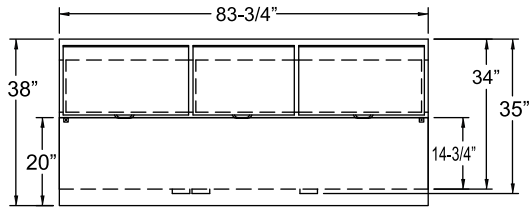
SIDE VIEW

DOOR OPENINGS - WIDTH: 20-1/4", HEIGHT: 18"

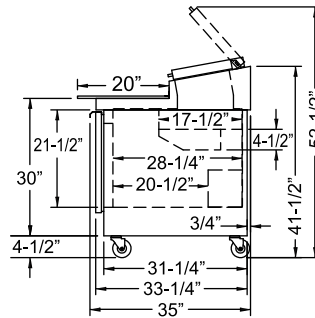


ELEVATION VIEW

MODEL MRR283

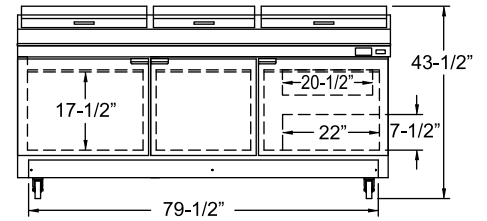


PLAN VIEW



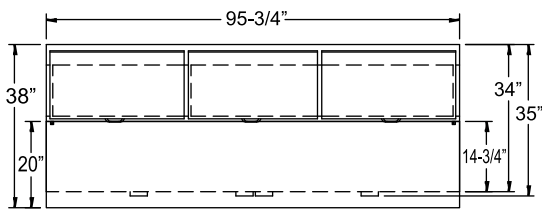
SIDE VIEW

LEFT DOOR OPENING	CENTER DOOR OPENING	RIGHT DOOR OPENING
WIDTH: 26-1/4"	WIDTH: 20-1/4"	WIDTH: 26-1/4"
HEIGHT: 18"	HEIGHT: 18"	HEIGHT: 18"

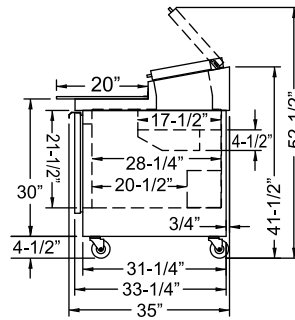


ELEVATION VIEW

MODEL MRR324

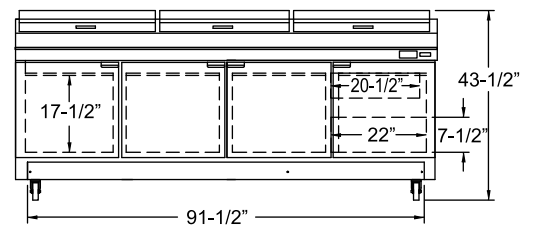


PLAN VIEW



SIDE VIEW

DOOR OPENINGS - WIDTH: 20-1/4", HEIGHT: 18"



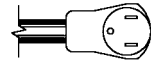
ELEVATION VIEW

LISTINGS



HOOKUP

Via plug in, 10 foot long flexible three wire 14/3 cord with molded plug.



NEMA 5-15P

BID SPECIFICATIONS

Item no. MRR _____
Provide _____ () Re-
frigerated Preparation Table(s),
Master-Bilt model no.
MRR _____.

Preparation table's exterior front, sides, top and doors will be stainless steel while the exterior bottom and back will be galvanized steel. The interior liner and door panel will be smooth aluminum.

Standard features will include 1/6 size pans, cutting board, one epoxy-coated shelf per door and

4 1/2" casters.

The refrigeration system will be bottom mounted and self-contained. The temperature range will be 33° to 41°F (1° to 5°C) in pan well area, 34° to 41°F (1° to 5°C) in storage area. System will also feature automatic defrost in the storage area with a separate power switch in the pan well area for easy manual defrost. There will also be separate temperature controls for the pan well and storage areas. Refrigeration system will

use R-134a refrigerant. Refrigerant will be controlled by expansion valve. Prep tables may be enclosed on three sides since air intake and exhaust is through the base of the unit.

Preparation table to have standard limited three year extended compressor warranty and two year limited parts and labor warranty.

Preparation table to be UL and C-UL listed and UL EPH classified.

NOTE: Cabinet designed for optimum performance in air-conditioned area at 75°F ambient and 55% relative humidity.
All specifications subject to change without notice.