



TEM/TEL-24 SC SERIES SELF-CONTAINED

Endless Glass Door Merchandisers
 With Top Mounted Refrigeration &
 24-Inch Wide Doors

MEDIUM TEMP MODELS

- TEM-3-24SC TEM-5-24SC
- TEM-4-24SC TEM-6-24SC

LOW TEMP MODELS

- TEL-3-24SC TEL-5-24SC
- TEL-4-24SC TEL-6-24SC



Optional curb front available.

FEATURES

CONSTRUCTION

- Standard electronic controller with these features:
 - Ability to monitor defrost functions from the front panel interface
 - Audible and visual alarm
 - Eliminates room thermostat, defrost termination/fan delay control, defrost timer and digital thermometer or other temperature indicator
- Standard LED lighting
- Baked-on polyester textured steel finish on exterior and interior
- Field installed 24 gauge steel shroud with finish matching cabinet exterior
- Condensing unit covered with fiberglass mat for sound insulation
- Factory pre-wired for easy field connection. Only field wiring required is main power connection between condensing unit and merchandiser.
- A large heavy duty rub rail and kick plate to protect from abuse
- 5 cantilever epoxy-coated welded wire shelves with price tag molding per door
- Shelves rated to support 135 lbs. each
- 2" foamed-in-place "zero ODP" urethane insulation
- Product stop feature to prevent product from falling behind shelves
- Ends must be ordered separately

DOORS

- 24" wide reversible glass doors
- Self-closing door hinge with adjustable torsion control
- Standard black door and frame (optional colors available)

REFRIGERATION

- Refrigerant: R-404A
- Factory tested refrigeration system
- Pre-charged with quick connect fittings and lines
- Heavy-duty copper tube evaporator coil
- Condensate vaporizer and condensate pump provided
- Electric defrost on low temp models
- Pre-mounted expansion valve
- Temperature ranges:
 - TEM models: 34° to 41°F (1° to 5°C)
 - TEL models: 0° to -15°F (18° to -26°C)
- R-factor (insulation efficiency rating): 18.75

WARRANTY

- Standard limited two year parts and labor
- Additional three year coverage on compressor part

When ordering multi-cabinet line-ups, please note:

- Pre-wired cabinet-to-cabinet electrical terminal block connectors are furnished
- A 2" thick partition is required between each endless module if:
 - Each utilizes its own condensing unit and
 - One module is a freezer and one is a cooler
- A 1/16" thick partition is required between each module of like temperatures
- Joining kits for linking together modules are standard
- Please allow an additional 1" clearance for case and assembly dimensional tolerance stack-up

OPTIONS

- Right or left hand end kits
- Custom colors
- Drip pans for interior
- Additional 30" cantilever shelves
- Partitions
- Motion sensors for LED lighting
- Kickplate
- Baskets



TEM/TEL-24 SC SERIES – SELF-CONTAINED

ENDLESS GLASS DOOR MERCHANDISERS WITH TOP MOUNTED REFRIGERATION SYSTEM & 24-INCH WIDE DOORS

TECHNICAL SPECIFICATIONS

MODEL	DIMENSIONS (in.)			DIMENSIONS (mm)			NO. OF DOORS	NO. OF SHELVES	SHELVING AREA SQ. FT.	USABLE CU. FT.	PRODUCT FACING SQ. FT.	NO. OF INTERIOR LIGHTS
	L*	D	H**	L*	D	H**						
TEM/TEL-3-24SC	72 ⁵ / ₁₆	38 ¹ / ₄	102	1837	972	2591	3	15	57.7	67.5	31.8	4
TEM/TEL-4-24SC	96 ¹ / ₁₆	38 ¹ / ₄	102	2440	972	2591	4	20	76.7	89.7	42.2	5
TEM/TEL-5-24SC	119 ¹³ / ₁₆	38 ¹ / ₄	102	3043	972	2591	5	25	95.7	111.8	52.6	6
TEM/TEL-6-24SC	143 ⁹ / ₁₆	38 ¹ / ₄	102	3646	972	2591	6	30	114.7	134.0	63.1	7

*Add 2" (51mm) to length for each end or insulated partition. Also allow an additional 1" clearance for case and assembly dimensional tolerance stack-up. **Height includes shroud.

ELECTRICAL

	TEM-3-24SC	TEM-4-24SC	TEM-5-24SC	TEM-6-24SC	TEL-3-24SC	TEL-4-24SC	TEL-5-24SC	TEL-6-24SC
115/208-230V/60/1 CIRCUIT AMPS (REQUIRES 4-WIRE 208-230 SERVICE)								
Condensing Unit Model Number*	MHHZ007FB	MHHZ007FB	MHHZ007FB	MHHZ007FB	MHLZ007FB	MHLZ007FB	MHLZ008FB	MHLZ009FB
Capacity BTU with 10° @ 90°F Ambient	6100	6100	6100	6100	6670	6670	7540	9640
Condensing Unit	5.7	5.7	5.7	5.7	8.2	8.2	8.4	11.4
Defrost Heater	N/A	N/A	N/A	N/A	5.6	6.7	9.5	12.5
Drain Line Heater	N/A	N/A	N/A	N/A	6.5	6.5	6.5	6.5
Horsepower	0.5	0.5	0.5	0.5	1.5	1.5	2	2.5
Evaporator Fan Motor	1.0	1.0	1.0	1.0	0.5	0.5	0.5	0.5
Anti-Sweat Amps/Mullion/Frame	1.38	2.18	2.37	2.48	3.37	4.83	5.67	6.7
LED Lights	0.37	0.5	0.62	0.75	0.37	0.5	0.62	0.75
Condensate Pump	1.5	1.5	1.5	1.5	1.5	1.5	1.5	1.5
Condensate Pan	3.3	3.3	3.3	3.3	3.3	3.3	3.3	3.3
Minimum Circuit (MCA)	12	12	12	12	22.1	22.1	23.7	28.3
Maximum Over-current Protector (MOP)	15	15	15	15	25	25	30	40

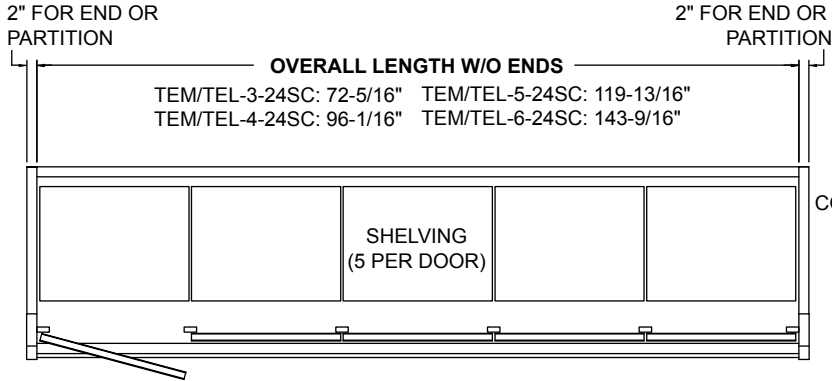
* Condensing units listed are for individual modules only. For multi-module line-ups, please contact factory for system recommendations.

EST. SHIP WEIGHTS

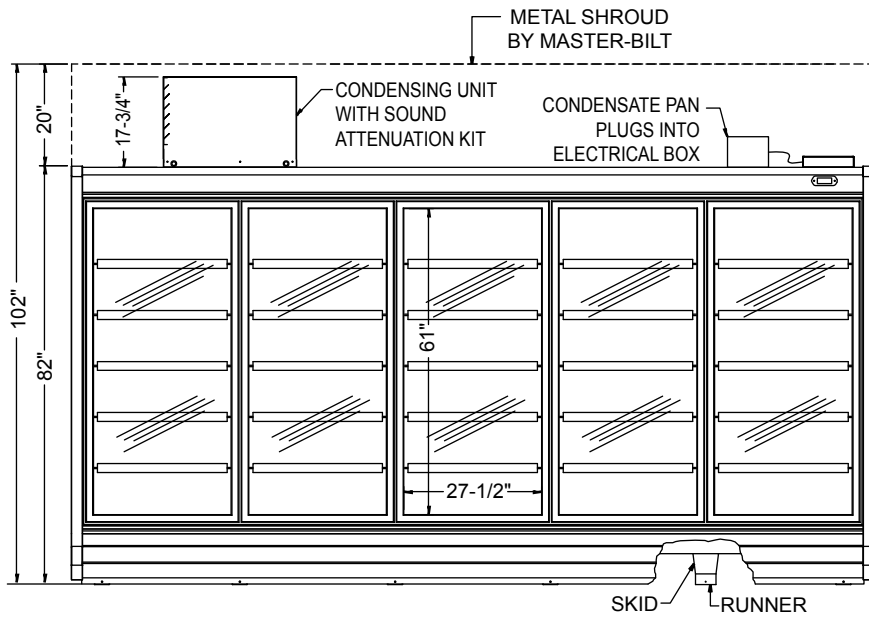
MODEL	CABINET WT. WITH ENDS LB/KG	CONDENSING UNIT WT. LB/KG	TOTAL WT. LB/KG
TEM-3-24SC	1120/509	97/44	1217/553
TEM-4-24SC	1490/677	97/44	1587/721
TEM-5-24SC	1806/821	97/44	1903/865
TEM-6-24SC	2080/945	97/44	2177/990

MODEL	CABINET WT. WITH ENDS LB/KG	CONDENSING UNIT WT. LB/KG	TOTAL WT. LB/KG
TEL-3-24SC	1150/523	100/45	1250/568
TEL-4-24SC	1520/677	100/45	1620/736
TEL-5-24SC	1785/811	156/71	1941/882
TEL-6-24SC	2100/945	158/72	2258/1026

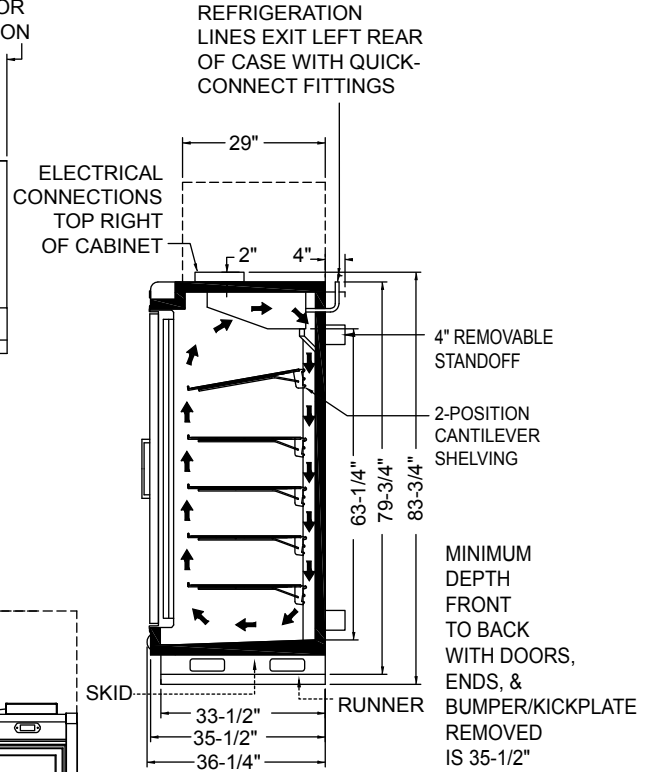
TECHNICAL DRAWINGS



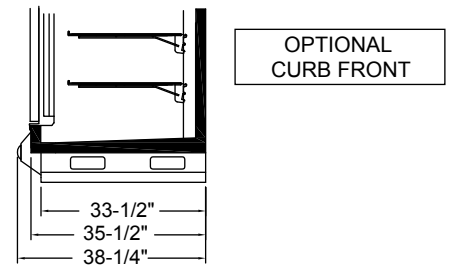
PLAN VIEW



ELEVATION VIEW



RUNNER SHIPS SEPARATELY TO FACILITATE ENTRANCE THROUGH STANDARD 80" TALL OPENING



SIDE VIEW

LISTINGS



HOOKUP

Hardwire.



TEM/TEL-24 SC SERIES – SELF-CONTAINED

ENDLESS GLASS DOOR MERCHANDISERS WITH TOP MOUNTED REFRIGERATION SYSTEM & 24-INCH WIDE DOORS

MODULES REQUIRED FOR 24" WIDE DOOR LINEUPS & BTU PERFORMANCE DATA

NO. OF DOORS	MODULES REQUIRED				TOTAL OVER-ALL LENGTH WITH ONE PAIR OF 2" ENDS	+20°F SUCTION MIN. BTUs (75°F STORE, 55% RH, +35°F AVERAGE PRODUCT TEMP.)	-11°F SUCTION MIN. BTUs (75°F STORE, 55% RH, -3°F AVERAGE PRODUCT TEMP.)	-18°F SUCTION MIN. BTUs (75°F STORE, 55% RH, -12°F AVERAGE PRODUCT TEMP.)
	3 DOOR	4 DOOR	5 DOOR	6 DOOR				
3	1				76 ⁵ / ₁₆	3750	4750	5125
4		1			100 ¹ / ₁₆	4600	6150	6550
5			1		123 ¹³ / ₁₆	5750	7625	8300
6				1	147 ⁹ / ₁₆	6900	9150	9960
7	1	1			172 ³ / ₈	8050	10,675	11,620
8		2			196 ¹ / ₈	9200	12,200	13,280
9		1	1		219 ⁷ / ₈	10,350	13,725	14,940
10			2		243 ⁵ / ₈	11,500	15,250	16,600
11			1	1	267 ³ / ₈	12,650	16,775	18,260
12				2	291 ¹ / ₈	13,800	18,300	19,920
13		2	1		315 ¹⁵ / ₁₆	14,950	19,825	21,580
14		2		1	339 ¹¹ / ₁₆	16,100	21,350	23,240
15			3		363 ⁷ / ₁₆	17,250	22,875	24,900
16		4			388 ¹ / ₄	18,400	24,400	26,560
17			1	2	410 ¹⁵ / ₁₆	19,550	25,925	28,220
18				3	434 ¹¹ / ₁₆	20,700	27,450	29,880
19		1	3		459 ¹ / ₂	21,850	28,975	31,540
20			4		483 ¹ / ₄	23,000	30,500	33,200
21	1			3	507	24,150	32,025	34,860
22		1		3	530 ³ / ₄	25,300	33,550	36,520
23			1	3	554 ¹ / ₂	26,450	35,075	38,180
24				4	578 ¹ / ₄	27,600	36,600	39,840
25			5		603 ¹ / ₁₆	28,750	38,125	41,500

BID SPECIFICATIONS

Item no. TEM/TEL-____-24SC

Provide _____ () Endless Self-Contained Glass Door Merchandisers - Top Mounted model no. TEM/TEL-____-24SC.

Merchandise to be constructed of baked-on polyester painted textured steel with 2" foamed-in-place "zero ODP" urethane insulation. Merchandise may be used as a stand-alone unit or combined in a modular endless design.

Merchandise will be equipped with standard electronically controlled monitoring system, LED lighting and five cantilever epoxy-coated welded wire shelves with price tag molding per door. In addition, a product stop feature will prevent product from falling

behind shelves. Other standard features to include:

- Condensate vaporizer and condensate pump
- Field installed, sound insulated 24 gauge steel shroud with finish matching cabinet exterior
- Standard joining kits when linking together multi-door modules

Glass doors will be supplied with self-closing door hinge and provision for easy adjustment of torsion and leveling. Merchandise supplied with 30" wide glass doors. Door and frame provided in standard black finish with optional colors available.

A pre-charged self-contained refrigeration

system will be furnished with quick connect fittings and lines. Each merchandiser will be equipped with a full-length heavy-duty copper tube evaporator coil and pre-mounted expansion valve. Electric defrost will be standard on low temp models. All models will use R-404A refrigerant.

Temperature range will be 34° to 41°F (1° to 5°C) for TEM models and 0° to -15°F (18° to -26°C) for TEL models.

Merchandise to have standard limited two year parts and labor with additional three year coverage on compressor part.

Merchandise to be UL listed and UL EPH classified.

NOTE: Cabinet designed for optimum performance in air-conditioned area at 75°F ambient and 55% relative humidity. All specifications subject to change without notice.



908 Highway 15 North • New Albany, MS 38652
PHONE: 800-647-1284 or 662-534-9061 • FAX: 800-232-3966 or 662-534-6049 • www.master-bilt.com

