

- Imagine the draft tower possibilities to match a theme or décor.
- Design and build a custom tower around Kool-Rite.
- Kool-Rite technology with patented cooling blocks and leak proof shanks.
- All stainless steel contact with the beer for the ultimate in draft purity.




1739



DP-332ELD-16-3

Matching Drip Tray

 Certified by the National Sanitation Foundation (Pending)

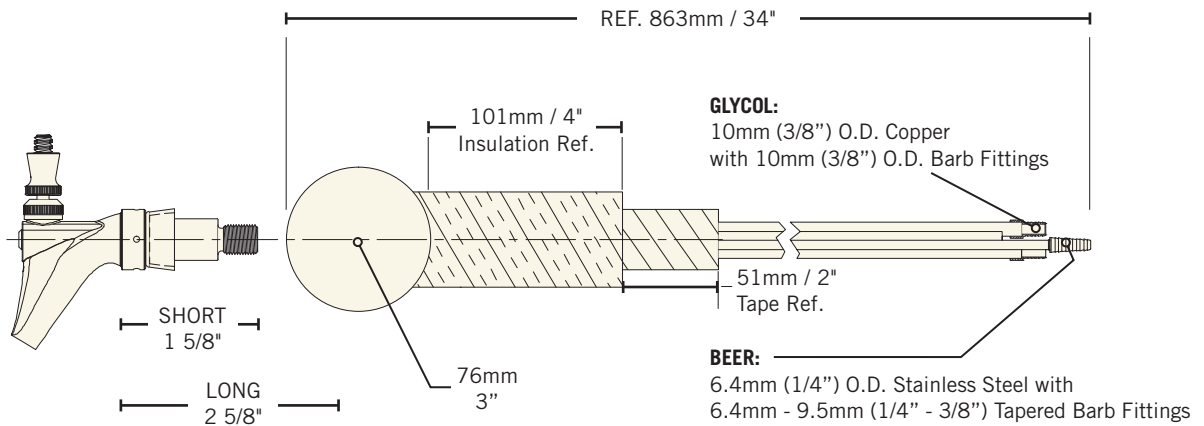
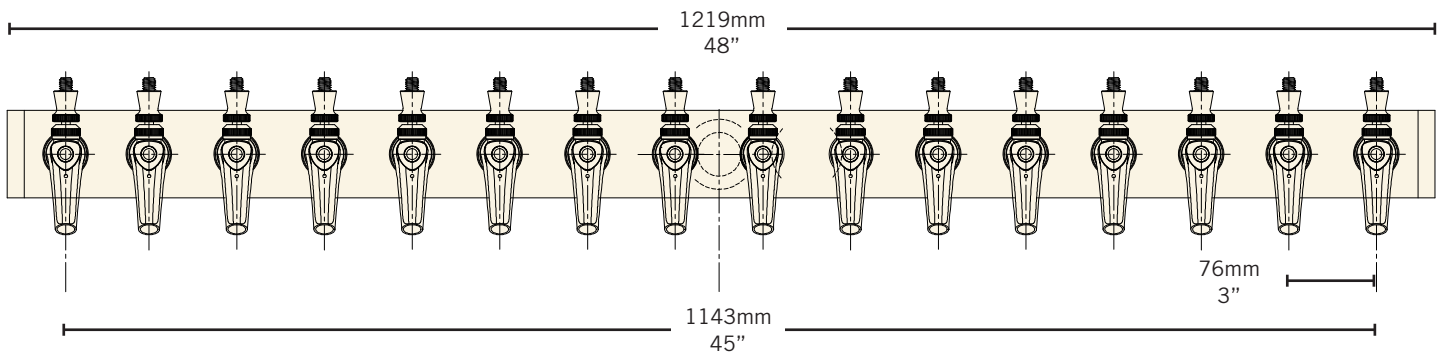
 Stainless Steel



The integrated Kool-Rite module provides optimum cooling at the point of dispense. The module construction makes the installation process as simple as PLUG "N" POUR.

Part No.	Faucets	Shank Length	Dispense System	Shipping Weight	Box Dimensions
□ 1739-L	16	Long	Kool-Rite (Glycol)	18 kg	1143mm L x 915mm W x 381mm H
				39 lbs	45"L x 36"W x 15"H
□ 1739-S	16	Short	Kool-Rite (Glycol)	18 kg	1143mm L x 915mm W x 381mm H
				39 lbs	45"L x 36"W x 15"H

Dimensions



Toll-Free: 1-866-327-4159
www.micromatic.com

West

19791 Bahama St.
 Northridge, CA 91324
 Tel. (818) 701-9765
 Fax. (818) 701-9844

Central

10726 North Second St.
 Machesney Park, IL 61115
 Tel. (815) 968-7557
 Fax. (815) 968-0363

Southeast

2364 Simon Ct.
 Brooksville, FL 34604
 Tel. (352) 799-6331
 Fax. (352) 796-2429

Northeast

4601 Saucon Creek Rd.
 Center Valley, PA 18034
 Tel. (610) 625-4464
 Fax. (610) 625-4466