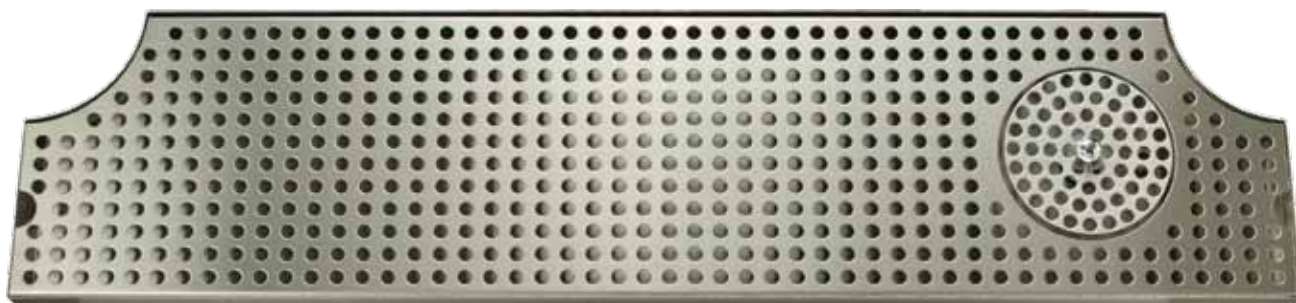


- Designed specifically for Metropolis H & M draft towers.
- Add European style while creating dispense excitement.
- Condition the glass before pouring – invert glass, push down on sprayer for cold water rinsing.
- Robust 18 gauge stainless steel construction.



Stainless Steel

DP-MET-H-40GR

Features

- S** Stainless Steel for improved hygiene and durability.

Part No.	Description	Faucets	Shipping Weight	Box Dimensions
<input type="checkbox"/> DP-MET-T-40GR	Stainless Steel	10 - 12	TBD	TBD
			TBD	TBD

Rinser Water Inlet Installation

Always check local plumbing codes first.

Install in-line water regulator set at 15 PSI from the street water supply (no greater, perfect operating pressure).

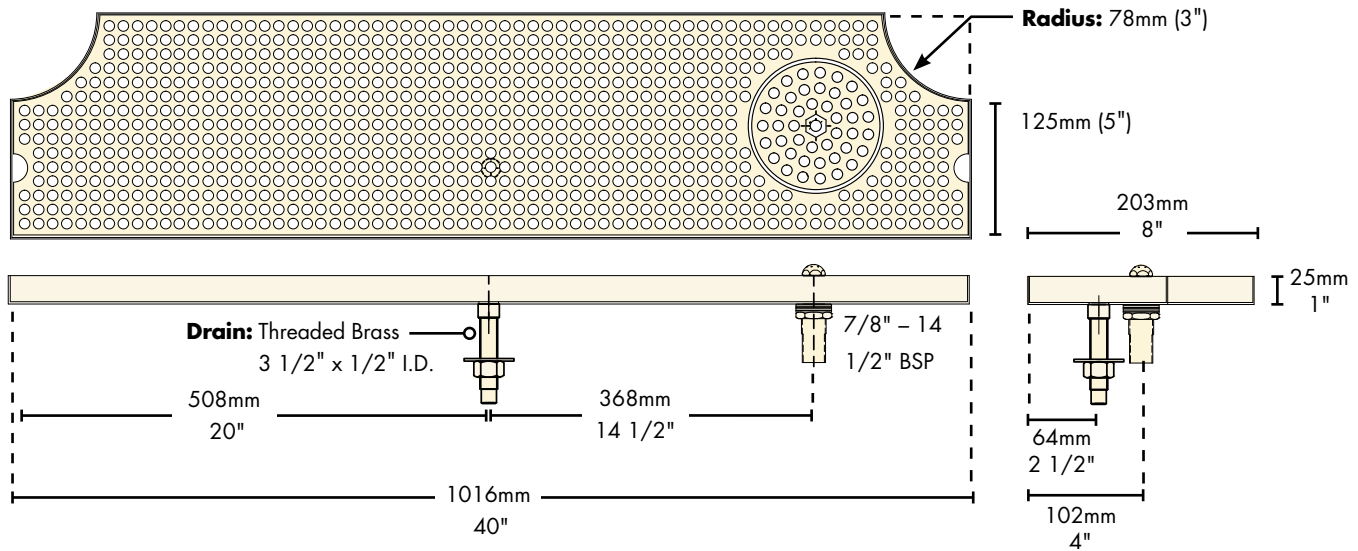
Install in-line one way check valve from the street water supply (prevents pressure drop which can cause leaking).

Install in-line shut-off for the rinser system from the street water supply (this must be turned off nightly).

If teed into soda system make sure system can handle the increased water demand. Have plumber install a 45° 1/2" O.D. barb for the drains if line is not hard plumbed into the system.

Install a shut-off for the rinser water supply if line is not hard plumbed into the system.

Dimensions



Copyright ©2012 Micro Matic USA, Inc. All Rights Reserved.

01201-D0312



www.micromatic.com

Toll Free: 1-(866) 327-4159

West	Central	Southeast	Northeast
19791 Bahama Street Northridge, CA 91324 Tel. (818) 701-9765 Fax. (818) 701-9844	10726 North Second Street Machesney Park, IL 61115 Tel. (815) 968-7557 Fax. (815) 968-0363	2364 Simon Court Brooksville, FL 34604 Tel. (352) 799-6331 Fax. (352) 796-2429	4601 Saucon Creek Road Center Valley, PA 18034 Tel. (610) 625-4464 Fax. (610) 625-4466