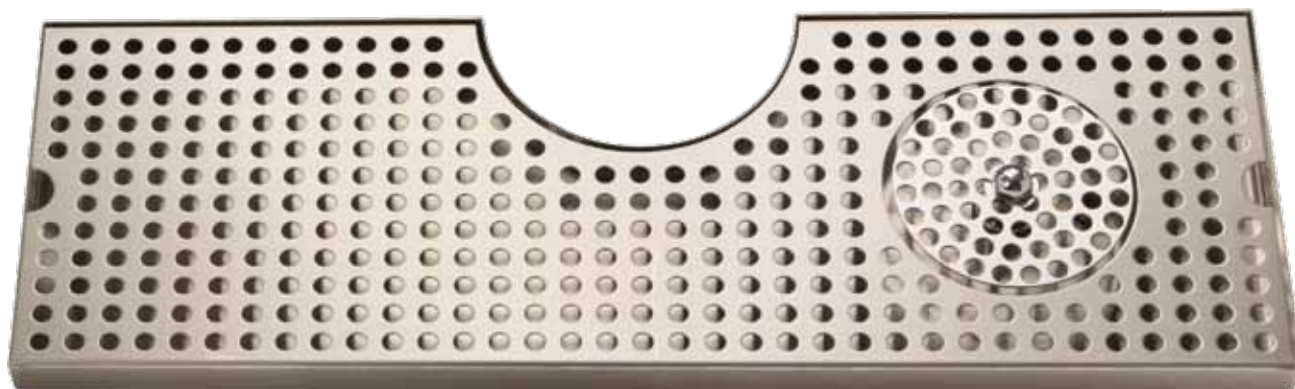


- Designed specifically for Metropolis T draft towers.
- Add European style while creating dispense excitement.
- Condition the glass before pouring – invert glass, push down on sprayer for cold water rinsing.
- Robust 18 gauge stainless steel construction.



Stainless Steel
[DP-MET-T-24GR](#)

Features

- S** Stainless Steel for improved hygiene and durability.

Part No.	Description	Faucets	Shipping Weight	Box Dimensions
<input type="checkbox"/> DP-MET-T-24GR	Stainless Steel	4 – 8	TBD	TBD
			TBD	TBD

Rinser Water Inlet Installation

Always check local plumbing codes first.

Install in-line water regulator set at 15 PSI from the street water supply (no greater, perfect operating pressure).

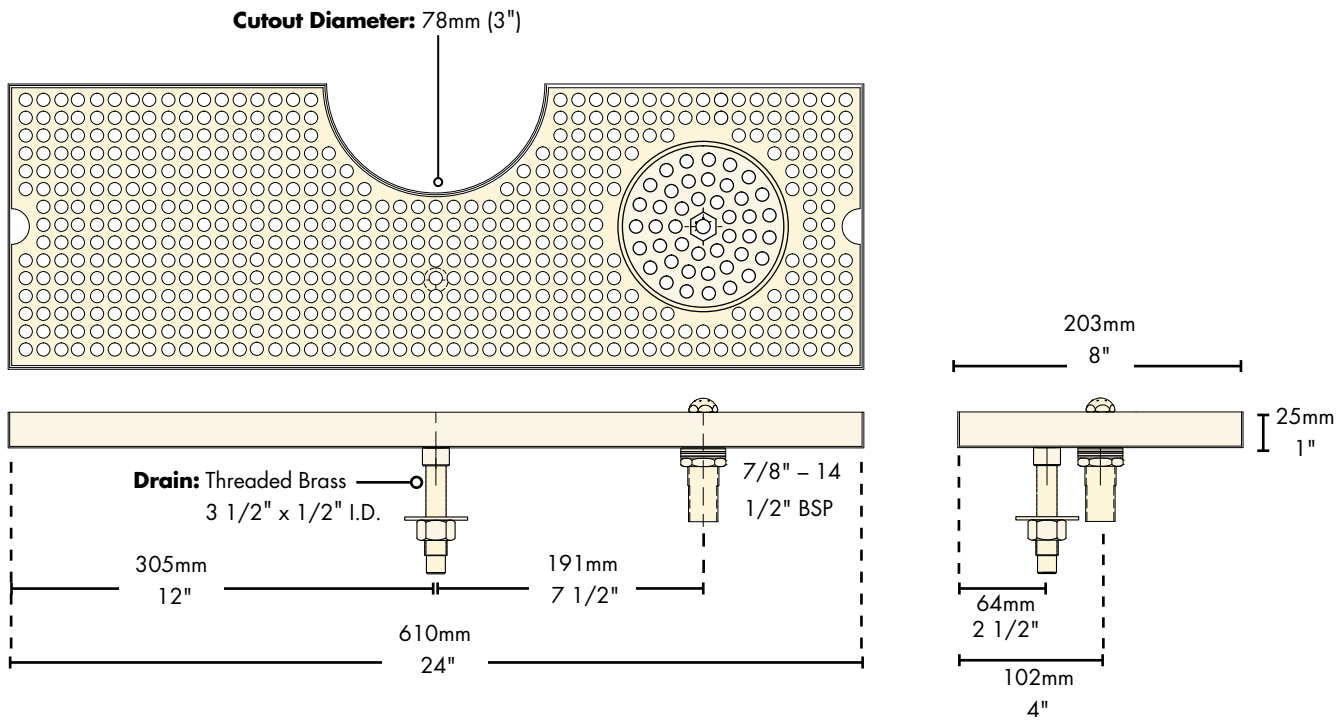
Install in-line one way check valve from the street water supply (prevents pressure drop which can cause leaking).

Install in-line shut-off for the rinser system from the street water supply (this must be turned off nightly).

If teed into soda system make sure system can handle the increased water demand. Have plumber install a 45° 1/2" O.D. barb for the drains if line is not hard plumbed into the system.

Install a shut-off for the rinser water supply if line is not hard plumbed into the system.

Dimensions



Copyright ©2012 Micro Matic USA, Inc. All Rights Reserved.

01199D00312



MICRO MATIC

www.micromatic.com

Toll Free: 1-(866) 327-4159

West	Central	Southeast	Northeast
------	---------	-----------	-----------

19791 Bahama Street
Northridge, CA 91324
Tel. (818) 701-9765
Fax. (818) 701-9844

10726 North Second Street
Machesney Park, IL 61115
Tel. (815) 968-7557
Fax. (815) 968-0363

2364 Simon Court
Brooksville, FL 34604
Tel. (352) 799-6331
Fax. (352) 796-2429

4601 Saucon Creek Road
Center Valley, PA 18034
Tel. (610) 625-4464
Fax. (610) 625-4466