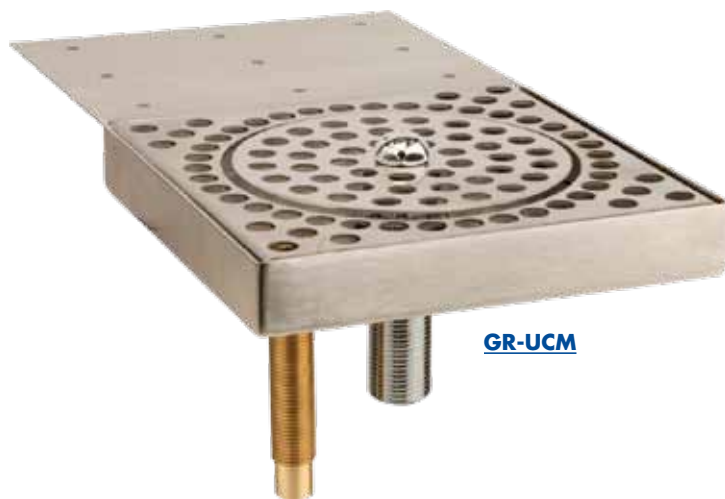




- Add European style while creating dispense excitement.
- Condition the glass before pouring – invert glass, push down on sprayer for cold water rinsing.
- Retrofit any draft beer dispense station, mounts easily under the bar.
- Robust 18 gauge stainless steel for durable long-lasting performance.



Feature

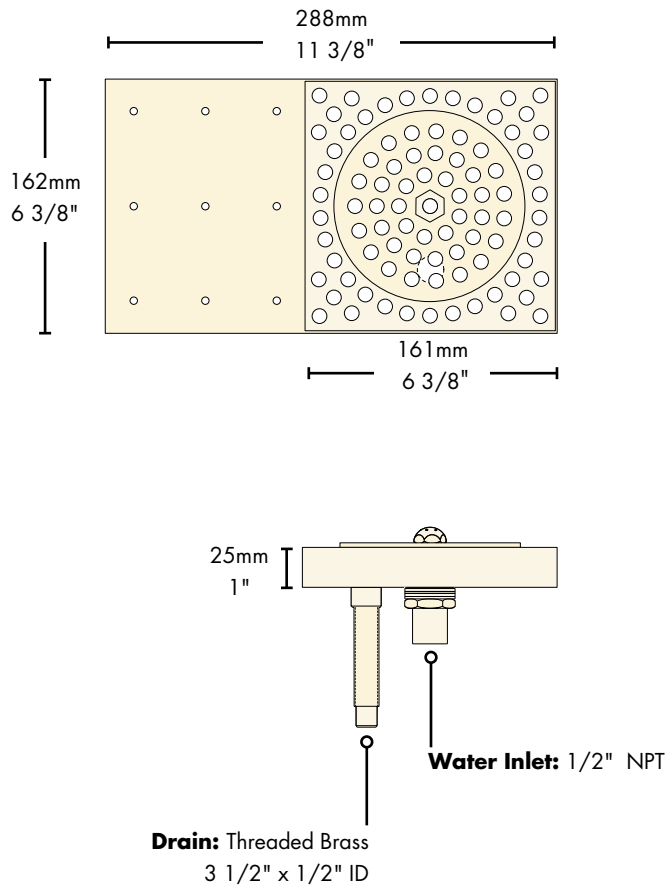
- S** Stainless Steel for improved hygiene and durability.

Part No.	Description	Shipping Weight	Box Dimensions
<input type="checkbox"/> GR-UCM	Brushed Stainless Steel	3 kg	508mm L x 229mm W x 267mm H
		5 lbs	20" L x 9" W x 10 1/2" H

Rinser Water Inlet Installation

- Always check local plumbing codes first.
- Install in-line water regulator set at 15 PSI from the street water supply (no greater, perfect operating pressure).
- Install in-line one way check valve from the street water supply (prevents pressure drop which can cause leaking).
- Install in-line shut-off for the rinsing system from the street water supply (this must be turned off nightly).
- If teed into soda system make sure system can handle the increased water demand. Have plumber install a 45° 1/2" O.D. barb for the drains if line is not hard plumbed into the system.
- Install a shut-off for the rinsing water supply if line is not hard plumbed into the system.

Dimensions



Copyright ©2012 Micro Matic USA, Inc. All Rights Reserved. 000752-D0213

West	Central	Southeast	Northeast
19791 Bahama Street Northridge, CA 91324 Tel. (818) 701-9765 Fax. (818) 701-9844	10726 North Second Street Machesney Park, IL 61115 Tel. (815) 968-7557 Fax. (815) 968-0363	2364 Simon Court Brooksville, FL 34604 Tel. (352) 799-6331 Fax. (352) 796-2429	4601 Saucon Creek Road Center Valley, PA 18034 Tel. (610) 625-4464 Fax. (610) 625-4466