





- Maximize bar top space with convenient wall mounting.
- All-in-one design: draft tower and drip tray.
- Exterior finish will provide years of durable service.
- All stainless steel contact with the beer for the ultimate in draft purity.




Brushed Stainless Steel  
**KRONOS-12SSKR**

Faucet knobs not included.

 Certified by the National Sanitation Foundation.

 Stainless Steel beer contact for the pure taste of fresh draft beer.

 The integrated Kool-Rite module provides optimum cooling at the point of dispense. The module construction makes the installation process as simple as PLUG "N" POUR.

# Specifications

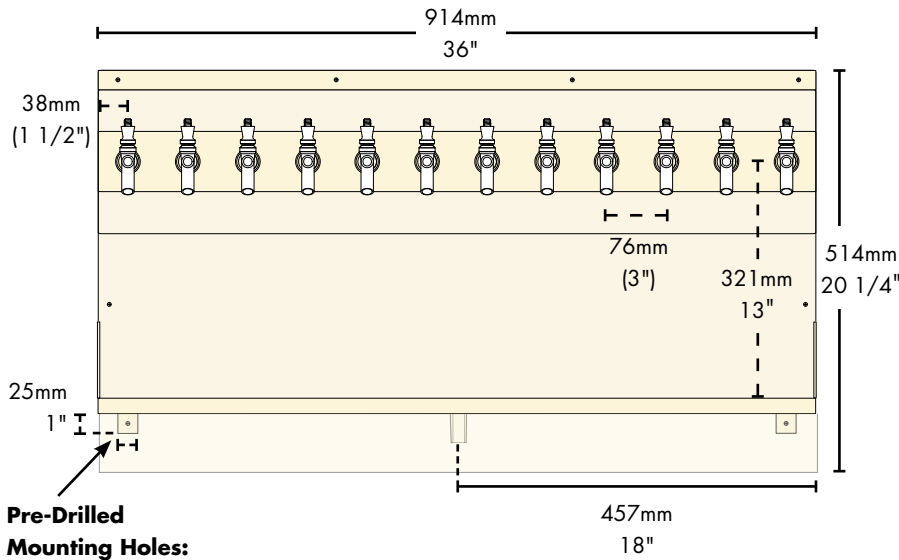
Micro Matic reserves the right to change specifications without notice.

**AUTOQUOTES**

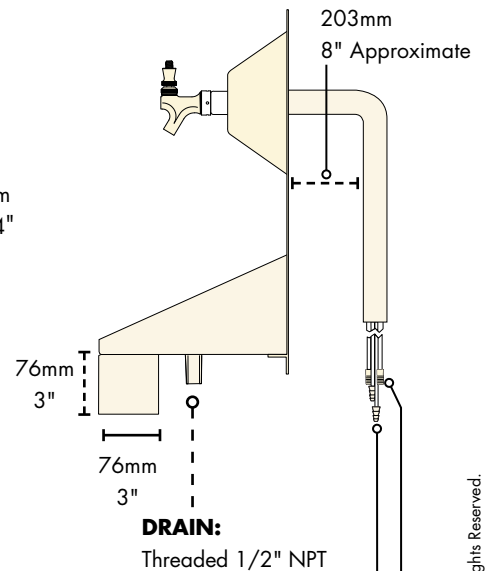
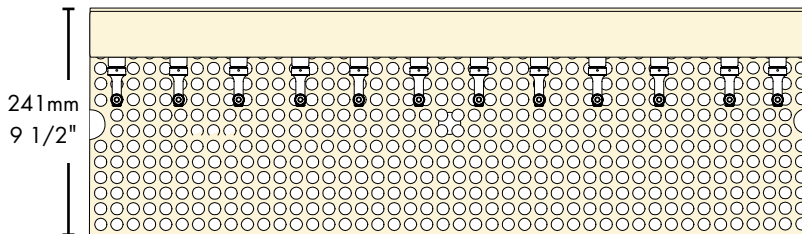
Part No.	Faucets	Finish	Dispense System	Shipping Weight	Box Dimensions
<input type="checkbox"/> <b>KRONOS-12SSKR*</b>	12	Brushed Stainless Steel	Kool-Rite (Glycol)	31 kg 67 lbs	1169mm L x 940mm H x 661mm H 46" L x 37" W x 26" H

\*  Certified

# Dimensions



**Pre-Drilled  
Mounting Holes:**  
4.76mm (3/16")



**GLYCOL:**

9.52mm (3/8") O.D. Copper  
with 9.52mm (3/8") Barb Fittings

**BEER:**

6.4mm (1/4") O.D. Stainless Steel  
with 7.94mm - 9.52mm (5/16" - 3/8") Barb Fittings

Copyright ©2011 Micro Matic USA, Inc. All Rights Reserved.

00834D0811



[www.micromatic.com](http://www.micromatic.com)

Toll Free: 1-(866) 327-4159

West	Central	Southeast	Northeast
------	---------	-----------	-----------

19791 Bahama Street Northridge, CA 91324 Tel. (818) 701-9765 Fax. (818) 701-9844	10726 North Second Street Machesney Park, IL 61115 Tel. (815) 968-7557 Fax. (815) 968-0363	2364 Simon Court Brooksville, FL 34604 Tel. (352) 799-6331 Fax. (352) 796-2429	4601 Saucon Creek Road Center Valley, PA 18034 Tel. (610) 625-4464 Fax. (610) 625-4466
---	---	---	---