

- Designed by beer-industry experts for performance and value.
- Commercial grade construction – built to last.
- Side mounted evaporator for maximum interior space utilization.
- Glass doors units for expanded merchandising.



Black
MBB78



Black with Glass Doors
MBB78G



Stainless Steel
MBB78S



Stainless Steel with Glass Doors
MBB78GS

Feature



Listed by Edison
Testing Laboratories.
Conforms to UL & NSF Standards.

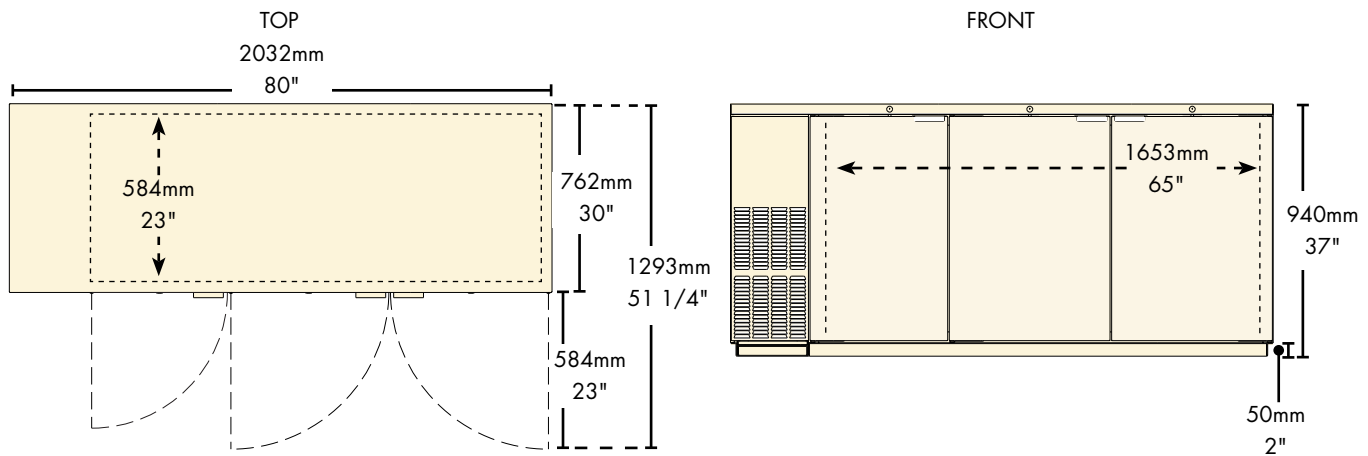
Part No.	Exterior Finish	Doors	Shipping Weight	Box Dimensions
☐ MBB78	Black With Solid Doors	3	181 kg	2057mm L x 762mm W x 1143mm H
			400 lbs	81"L x 30"W x 45"H
☐ MBB78G	Black With Glass Doors	3	181 kg	2057mm L x 762mm W x 1143mm H
			400 lbs	81"L x 30"W x 45"H
☐ MBB78S	Stainless Steel With Solid Doors	3	181 kg	2057mm L x 762mm W x 1143mm H
			400 lbs	81"L x 30"W x 45"H
☐ MBB78GS	Stainless Steel With Glass Doors	3	181 kg	2057mm L x 762mm W x 1143mm H
			400 lbs	81"L x 30"W x 45"H

Operating Performance

Capacity of 1/2 Kegs	4	Running Amps	6.7
Cubic Feet (liters)	30.8 (872)	Voltage	115/60/1
Shelves, Flat - Included	2	Plug Type	NEMA-5-15P
Shelves, Dividers - Included	4 (92 cans per shelf)	Cord Length	8'
Cans 12 oz (355ml)	1092	Refrigerant	R-134a
Approval	ETL Listed	Charge oz (Grs)	12.30 (350)
Condenser HP	1/3		

Exterior	All Models: 18 gauge stainless steel top, 22 gauge solid doors, 24 gauge steel front, sides and back. Black Models: Front, sides, back and doors black vinyl over steel. Stainless Steel Models: Front, sides, back & doors are stainless steel.
Interior	20 gauge stainless steel floor, reinforced frame, 24 gauge galvanized walls
Ventilation	Front and back ventilated
Plumbing	Automatic condensate evaporator, no drain connection required. Evaporator condensate has been plumbed to a condensate pan located in the compressor housing.
Insulation	Foamed-in-place using high density, CFC-free polyurethane; 1-1/2" top, walls and floor.
Accessories	Castors or 6" Fixed Legs

Dimensions



Copyright ©2012 Micro Matic USA, Inc. All Rights Reserved. 00461-D0312



www.micromatic.com

Toll Free: 1-(866) 327-4159

West	Central	Southeast	Northeast
19791 Bahama Street Northridge, CA 91324 Tel. (818) 701-9765 Fax. (818) 701-9844	10726 North Second Street Machesney Park, IL 61115 Tel. (815) 968-7557 Fax. (815) 968-0363	2364 Simon Court Brooksville, FL 34604 Tel. (352) 799-6331 Fax. (352) 796-2429	4601 Saucon Creek Road Center Valley, PA 18034 Tel. (610) 625-4464 Fax. (610) 625-4466