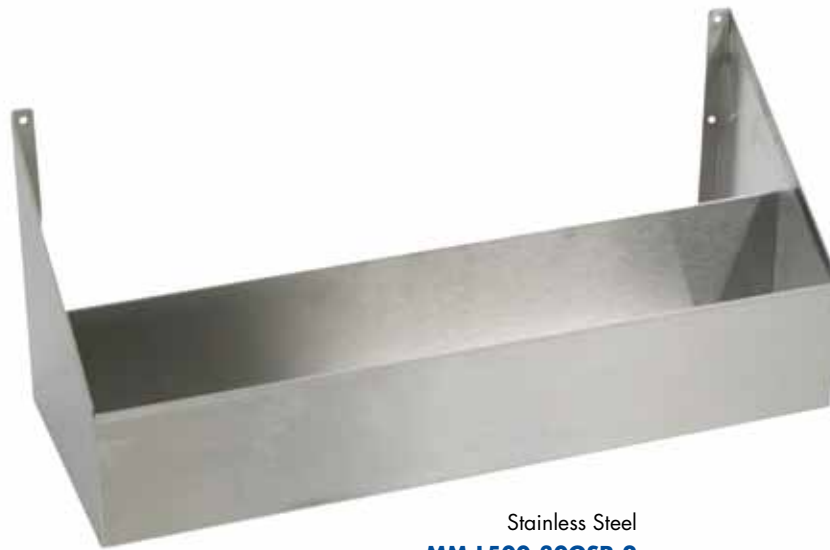


- Double gusseted for extra bottle capacity.
- All 304 Stainless Steel construction.
- Fastening hardware included.
- Custom lengths are available.



Stainless Steel
MM-L500-30GSR-2

Features



Certified
by the National
Sanitation Foundation.



Stainless Steel for
improved hygiene
and durability.

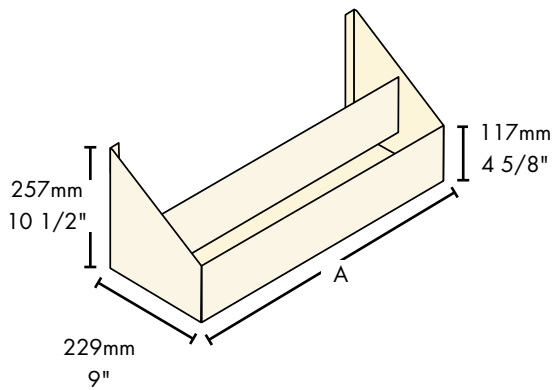
Specifications

Micro Matic reserves the right to change specifications without notice. **AUTOQUOTES**

Part No.	Description	Shipping Weight	Box Dimensions
<input type="checkbox"/> MM-L500-24GSR-2*	Polished Stainless Steel	4 kg 8 lbs.	TBD TBD
<input type="checkbox"/> MM-L500-30GSR-2*	Polished Stainless Steel	5 kg 10 lbs.	TBD TBD
<input type="checkbox"/> MM-L500-36GSR-2*	Polished Stainless Steel	6 kg 12 lbs.	TBD TBD

*  Certified

Dimensions



Part No.	A
MM-L500-24GSRR-2	24" L (609 mm)
MM-L500-30GSRR-2	24" L (762 mm)
MM-L500-36GSRR-2	30" L (914 mm)

Copyright ©2012 Micro Matic USA, Inc. All Rights Reserved.

00607-D0212



www.micromatic.com

Toll Free: 1-(866) 327-4159

West	Central	Southeast	Northeast
19791 Bahama Street Northridge, CA 91324 Tel. (818) 701-9765 Fax. (818) 701-9844	10726 North Second Street Machesney Park, IL 61115 Tel. (815) 968-7557 Fax. (815) 968-0363	2364 Simon Court Brooksville, FL 34604 Tel. (352) 799-6331 Fax. (352) 796-2429	4601 Saucon Creek Road Center Valley, PA 18034 Tel. (610) 625-4464 Fax. (610) 625-4466