

- Insulated ice bin is constructed of 304 Stainless Steel with welded seams.
- Polished 304 Stainless Steel sliding cover, top assembly, front apron and ends.
- Factory-installed 8-product cold plate, sink includes $\frac{1}{2}$ " threaded drain.
- Steel tube legs with welded cross-brace construction, finished with corrosion-resistant hammertone paint, complete with adjustable feet.



Stainless Steel
MM-PT36+8

Features

S Stainless Steel for improved hygiene and durability.

NSF Constructed to meet NSF specifications.

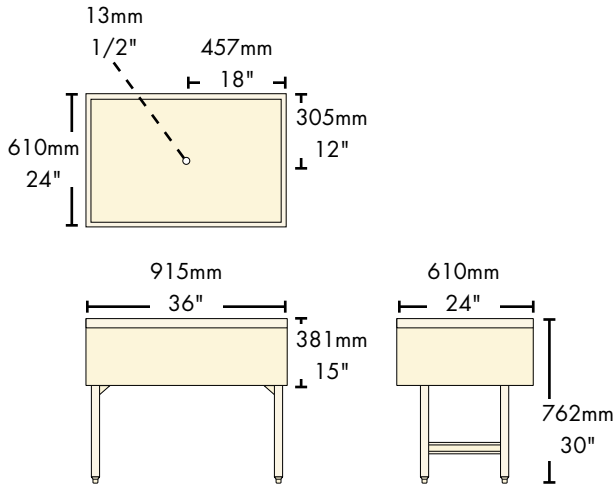
Specifications

Micro Matic reserves the right to change specifications without notice. **AUTOQUOTES**

Part No.	Description	Shipping Weight	Box Dimensions
<input type="checkbox"/> MM-PT36+8*	Polished Stainless Steel	27 kg	TBD
	36" L x 24" D x 30" H with 8 product cold plate	60 lbs.	TBD

*  Certified

Dimensions



Copyright ©2012 Micro Matic USA, Inc. All Rights Reserved.

00598-D0312



www.micromatic.com

Toll Free: 1-(866) 327-4159

West	Central	Southeast	Northeast
19791 Bahama Street Northridge, CA 91324 Tel. (818) 701-9765 Fax. (818) 701-9844	10726 North Second Street Machesney Park, IL 61115 Tel. (815) 968-7557 Fax. (815) 968-0363	2364 Simon Court Brooksville, FL 34604 Tel. (352) 799-6331 Fax. (352) 796-2429	4601 Saucon Creek Road Center Valley, PA 18034 Tel. (610) 625-4464 Fax. (610) 625-4466