



- 20 gauge polished, deep-drawn 304 stainless steel tank.
- Polished 304 Stainless Steel top assembly, front apron and ends with welded seams.
- Steel tube legs with welded cross-brace construction, finished with corrosion-resistant hammertone paint, complete with adjustable feet.
- Galvanized steel understructure.



Stainless Steel
MM-SD18RSC

Features

S Stainless Steel for improved hygiene and durability.

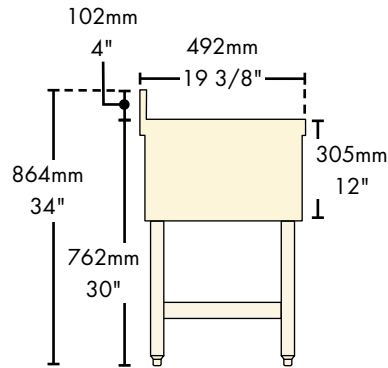
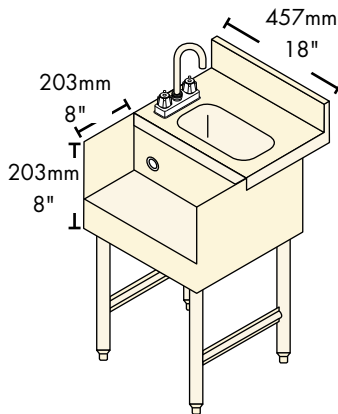
NSF Constructed to meet NSF specifications.

Specifications

Part No.	Description	Shipping Weight	Box Dimensions
<input type="checkbox"/> MM-SD18RSC*	Polished Stainless Steel	18 kg	TBD
	18" L x 19" D x 30" H	40 lbs.	TBD

*  Certified

Dimensions



Includes:

- Electrical Receptacle
- Gooseneck Faucet (4" Centers)
- 3" Strainer Basket Drain Assembly
- Bowl 6" x 12" x 6" Deep

Copyright ©2012 Micro Matic USA, Inc. All Rights Reserved. 00595D0212



www.micromatic.com

Toll Free: 1-(866) 327-4159

West	Central	Southeast	Northeast
19791 Bahama Street Northridge, CA 91324 Tel. (818) 701-9765 Fax. (818) 701-9844	10726 North Second Street Machesney Park, IL 61115 Tel. (815) 968-7557 Fax. (815) 968-0363	2364 Simon Court Brooksville, FL 34604 Tel. (352) 799-6331 Fax. (352) 796-2429	4601 Saucon Creek Road Center Valley, PA 18034 Tel. (610) 625-4464 Fax. (610) 625-4466