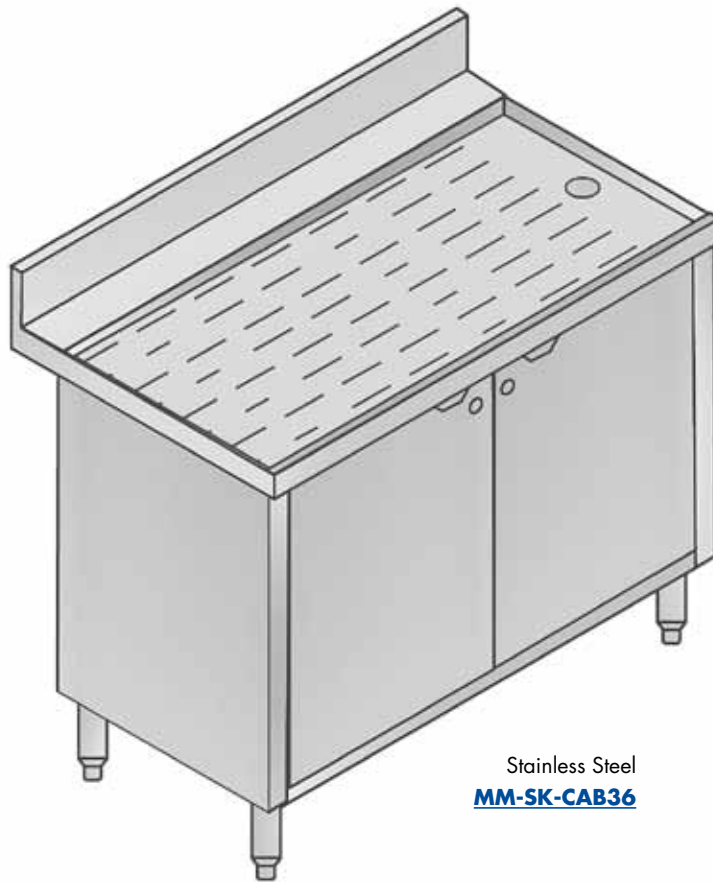


- 304 Stainless Steel welded and polished top, ends, bottom and shelves.
- Die cast heavy duty 6" equipment legs with adjustable feet.
- Factory installed stainless steel drain with 1-1/2" thread.
- Optional removable doors with locks.



Stainless Steel
MM-SK-CAB36

Features

S Stainless Steel for improved hygiene and durability.

NSF Constructed to meet NSF specifications.

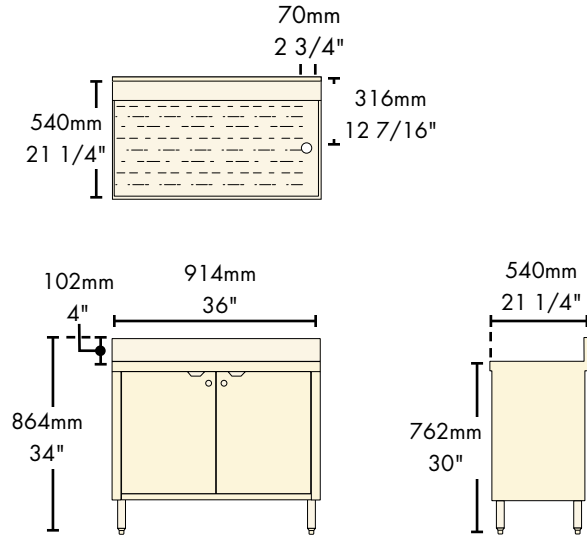
Specifications

Micro Matic reserves the right to change specifications without notice. **AUTOQUOTES**

Part No.	Description	Shipping Weight	Box Dimensions
<input type="checkbox"/> MM-SK-CAB36*	Polished Stainless Steel	37 kg	TBD
	36" L x 21" D x 30" H	80 lbs.	TBD

*  Certified

Dimensions



Copyright ©2012 Micro Matic USA, Inc. All Rights Reserved.

00606-D0212



www.micromatic.com

Toll Free: 1-(866) 327-4159

West	Central	Southeast	Northeast
19791 Bahama Street Northridge, CA 91324 Tel. (818) 701-9765 Fax. (818) 701-9844	10726 North Second Street Machesney Park, IL 61115 Tel. (815) 968-7557 Fax. (815) 968-0363	2364 Simon Court Brooksville, FL 34604 Tel. (352) 799-6331 Fax. (352) 796-2429	4601 Saucon Creek Road Center Valley, PA 18034 Tel. (610) 625-4464 Fax. (610) 625-4466