



- Engineered by beer-industry experts for performance and value.
- Digital thermostat for accurate glycol bath temperature.
- Insulated cabinet maintains glycol temperature while minimizing condensation.
- Exterior sight glass to verify glycol bath level.



MMPP4302-WC



MMPP4302



Feature

 ETL Listed.

Specifications

Micro Matic reserves the right to change specifications without notice. **AUTOQUOTES**

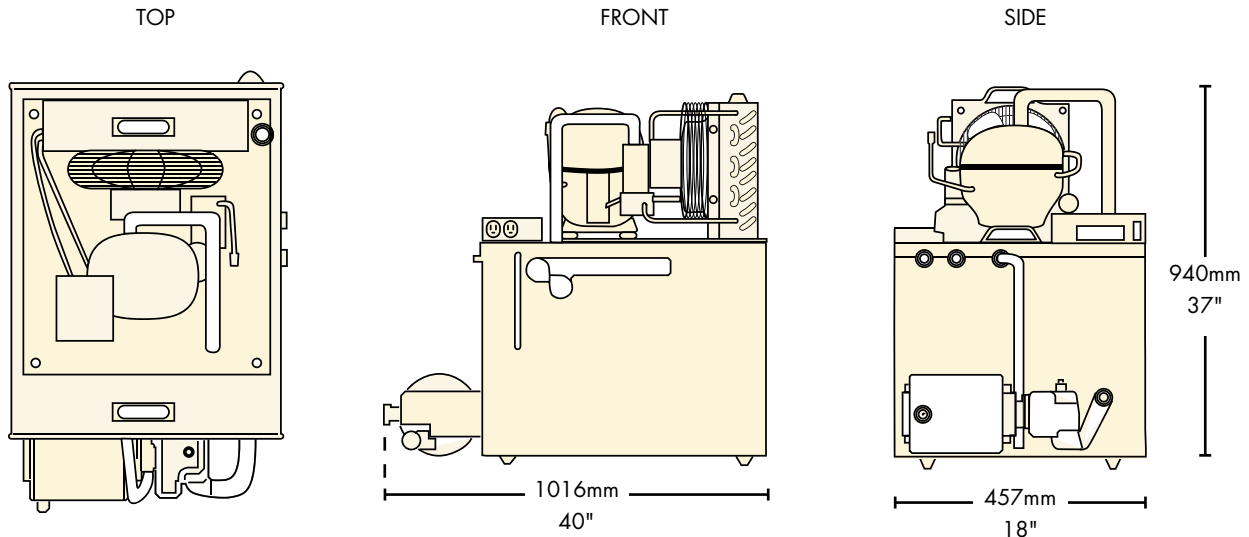
| Part No. | Description | Shipping Weight | Box Dimensions |
|---|--------------|-------------------|---|
| <input type="checkbox"/> MMPP4302 | Air Cooled | 71 kg 157 lbs. | 1016mm L x 610mm W x 1016mm H 40"L x 24"W x 40"H |
| <input type="checkbox"/> MMPP4302-WC | Water Cooled | 71 kg 157 lbs. | 1016mm L x 610mm W x 1016mm H 40"L x 24"W x 40"H |

Operating Performance

| | |
|---------------------------|---------------------------|
| Compressor | 1/2 HP |
| BTU per hour | 3,400 |
| Plug Type (NEMA #) | 5-20P |
| Voltage | 115 |
| Running | 15.3A |
| Refrigerant | R-134a |
| Charge | .45 kg (16 oz) |
| Bath Capacity | 43.5 litre (11.5 Gallons) |
| Pump Type | Gear |
| Inlet Barb: | 9.52mm (3/8") |
| Outlet Barb: | 9.52mm (3/8") |

| Water Cooled Model | |
|--|---|
| Water Inlet & Outlet Fitting | Female 3/8" NPT |
| Minimum Water Pipe Size | 3/8" |
| Inlet Water Pressure | Less than 80 PSIG |
| Water Usage | .3 GPM Water is only used when the temperature of the condenser rises high enough to open the cooling inlet valve. This is approximately 40% of the operating time depending on ambient temperature and usage. |
| Condenser Inlet Water Temperature | 75° F |
| Maximum Outlet Water Temperature | 95° F (to minimize water scaling within the condenser). |

Dimensions



Copyright ©2011 Micro Matic USA, Inc. All Rights Reserved.

00082.D0210



www.micromatic.com

Toll Free: 1-(866) 327-4159

| West | Central | Southeast | Northeast |
|---|---|---|---|
| 19791 Bahama Street Northridge, CA 91324 Tel. (818) 701-9765 Fax. (818) 701-9844 | 10726 North Second Street Machesney Park, IL 61115 Tel. (815) 968-7557 Fax. (815) 968-0363 | 2364 Simon Court Brooksville, FL 34604 Tel. (352) 799-6331 Fax. (352) 796-2429 | 4601 Saucon Creek Road Center Valley, PA 18034 Tel. (610) 625-4464 Fax. (610) 625-4466 |