



VECTAIRE™ Double Deck, Bakery Depth Electric Convection Ovens

Item No. _____

Project _____

Quantity _____

2EK15A Series



Model 2EK15A

SHORT/BID SPECIFICATION

Convection oven shall be Montague *Vectaire* full-size, double deck electric Model:

- 2EK15A** (six 2.5-kW heating elements grouped in two sets) — **bakery depth 15-kW** units with 6" (152mm) stainless steel legs

...with a porcelainized steel oven interiors with one-speed [bakery] or two-speed [standard] fan, nine rack positions, five bright nickel racks with rack stops and no-tip guides standard; ball bearing mounted 50-50 split doors with double pane viewing windows, plus all the features listed and options/accessories checked:

OVEN INTERIOR CONSTRUCTION [EACH DECK]:

- Porcelainized steel cooking compartment
- Nine-position bright nickel rack guides
- Five bright nickel pan racks, with rack-stop and no-tip guides standard
- Two covered interior lights
- 4" (102mm) of insulation compressed to 2" (51mm) with metal sheathing

HEATING ELEMENTS & BLOWER SYSTEM [EACH DECK]:

- Six 2.5-kW heating elements grouped in two sets
- Blower with 3/4-horsepower two-speed motor

MODEL-PAN/RACK GUIDE (For Each Deck):

| ✓ | Model No. | Oven Depth | Racks/ Positions | Rack Spacing | |
|---|-----------|------------|---------------------|---------------|---------------|
| | | | | 5-racks | 9-racks |
| | 2EK15A | Bakery* | 5/9 | 3-3/8" (86mm) | 1-1/2" (38mm) |

*18" x 26" (457 x 660mm) sheet pans length or sideways

EXTERIOR CONSTRUCTION FEATURES:

- Satin finish stainless steel front, sides and top
- Ball bearing mounted 50-50 double doors
- Tubular grab-bar handle with insulated comfort grip
- Double pane thermal viewing windows
- Durable, adjustable door gasket
- 6" (152mm) height adjustable stainless steel legs

CONTROL FEATURES (EACH DECK):

- Power/fan control
- Automatic fan cutoff when door is opened (except in cool-down)
- Power indicator light
- Momentary-ON interior light switch
- Snap-action electric thermostat with 200-500°F (93-260°C) range
- Burner indicator light
- 60-minute electric countdown timer with alarm
- Moisture vent

AGENCY APPROVALS

- NSF Listed
- UL Listed (ANSI/UL-197)



VC0-11 [Rev. 1/13]

VECTAIRE™ Double Deck, Full-Size, Bakery Depth Electric Convection Ovens

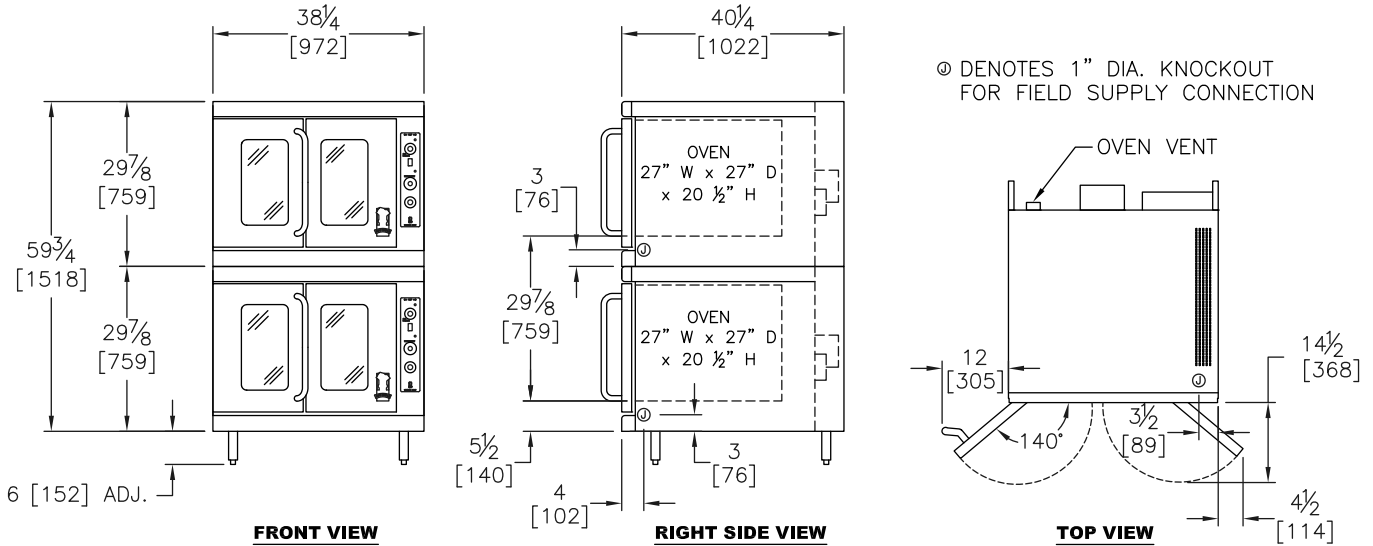
2EK15A Series

Item No. _____

Project _____

Quantity _____

Dimensions in brackets are millimeters



OPTIONS GUIDE:

Installation Alternatives:

- Casters [Set of four]:
- Casters [Set of four 5" (127mm) plate casters]
- 3-1/2" (89mm)
- 1" (25mm) Toe base for curb mounting
- Independent doors

Finish:

- Full stainless steel oven interiors [-ASC suffix]
- Stainless steel exterior bottom
- Stainless steel louvered back panel

Electric, Controls & Motor Alternatives:

- Solid state thermostat

Racks & Security:

- Stainless steel drip trays: ____ ea.
- Extra Racks: ____ ea. std.;
- ____ ea. heavy-duty
- 11-position rack guides [set of four]
- Solid Doors [in place of windows]
- Security Options [Consult Factory]

INSTALLATION REQUIREMENTS & SHIPPING INFORMATION

- Oven must be installed in accordance with local codes or in their absence with the National Electric Code: ANSI/NFPA 70. Compliance with codes is the responsibility of the Owner and Installer.
- Each oven deck requires a separate electric power connection. 1" (25mm) knockout provided.
- An adequate ventilation system is required. Refer to National Fire Protection Association Standard No. 96, "Vapor Removal from Cooking Equipment."
- This appliance is intended for commercial use by professionally trained personnel. NOT intended for Residential Use.

| Minimum Clearances | Combustible Construction | Noncombustible Construction |
|---|--------------------------|-----------------------------|
| From Back Wall | 0" | 0" |
| Left & Right Side | 0" | 0" |
| Unit must be mounted on legs or casters. | | |

Electric Requirements [For Each Deck]*

| Voltage | Phase | Hz | Total kW | Nominal AMP/Line 2EK15A | | | Minimum Circuit Capacity 2EK15A |
|---------|-------|----|----------|-------------------------|----|----|---------------------------------|
| | | | 2EK15A | L1 | L2 | L3 | |
| 208 | 1 | 60 | 15.15 | 78 | | | 98 |
| 240 | 1 | 60 | 15.15 | 69 | | | 98 |
| 208 | 3 | 60 | 15.15 | 43 | 43 | 41 | 54 |
| 240 | 3 | 60 | 15.15 | 40 | 40 | 36 | 54 |
| 480 | 3 | 60 | 15.15 | 22 | 22 | 19 | 27 |

*Other Voltage/Hz models available. Contact factory.

Shipping Information:

| Models | Weight | Shipping Class | Cube (Crated) ft ³ /m ³ |
|--------------------------------------|------------------|----------------|---|
| 2EK15A | 930 lbs (422 kg) | 70 | 2 x 37/1 |
| Entry clearance 30" (762mm) uncrated | | | |



THE MONTAGUE COMPANY

1830 Stearman Avenue, Hayward, CA 94545
 800 345-1830 • Fax: 510 785-3342
 www.montaguecompany.com

Due to continuous product improvements, specifications are subject to change without notice.

