



**LEGEND™**

**Heavy-Duty 36" (914mm) Gas Range**

Item No. \_\_\_\_\_

Project \_\_\_\_\_

Quantity \_\_\_\_\_

**(-9A) Top Series**



Model 136-9A

**SHORT/BID SPECIFICATION**

Range shall be a Montague **Legend** Model [Specify one]:

- 136-9A**, with front-vented 40,000 BTU/hr conventional oven with counterweighted door, porcelainized steel interior, three-position rack guides and one wire pan rack standard
- V136-9A**, with indirect-fired 45,000 BTU/hr convection oven with counterweighted door, porcelainized steel interior, five-position rack guides and three wire pan racks standard
- 36-9A**, with open front cabinet base with two shelves;
- M36-9A**, with 28" (711mm) high modular stand with stainless steel tubular legs;

...a 36" (914mm) wide heavy-duty gas-fired unit with two 35,000 BTU/hr, 18" (457mm) wide (French style) hot tops with ring and cover positioned at front of cast iron plate, provided with an individual burner control and automatic standing pilot; with stainless steel front and exterior bottom, black painted sides and back, 4" (102mm) high flue riser and 3" (76mm) deep front rail standard; plus all the features listed and options/accessories checked:

**RANGE TOP FEATURES:**

**Two 18" wide x 31" deep (457 x 787mm) French-style Hot Tops with:**

- Heavy-duty cast iron precision-ground plates
- Front-positioned removable ring & cover
- Front-fired, banjo-type 35,000 BTU/hr burners
- Heat transfer studs cast in plate bottoms
- 2" (51mm) side and front flanges isolate heat under plates
- Insulating partition between top sections
- Sloped, brick-lined flues for better heat transfer
- Drip pan positioned under burners

MODEL GUIDE		
Model No.	Base Style/Type	-9A Range Top
136-9A	With Standard Oven	
V136-9A	With Convection Oven	
36-9A	With Cabinet Base	
M36-9A	With Modular Stand	

**STANDARD (136-9A MODEL) OVEN FEATURES:**

- 26-5/8" wide x 28" deep x 15" high (676 x 711 x 381mm) cooking compartment
- Accepts 18" x 26" (457 x 660mm) pans sideways or lengthwise
- Front-venting oven design for more even cooking
- Heavy-duty counterweighted oven door — no springs
- Three-position adjustable nickel-plated rack supports, with one rack standard
- Interior panels and door porcelain lined for long life & easy cleaning
- Low-to-500°F (260°C) thermostat mounted in insulated cool zone
- 40,000 BTU/hr cast iron burner with automatic ignition safety pilot

**CONVECTION (V136-9A MODEL) OVEN FEATURES:**

- 26-5/8" wide x 22-1/4" deep x 15" high (676 x 565 x 381mm) cooking compartment
- Muffled, indirect-fired design with blower, for fast, even cooking
- Heavy-duty counterweighted oven door — no springs
- Five-position adjustable nickel-plated rack supports, with three racks standard
- Interior panels and door porcelain lined for long life & easy cleaning
- Low-to-500°F (260°C) thermostat mounted in insulated cool zone
- 45,000 BTU/hr cast iron burner with automatic ignition safety pilot
- 6' (1829mm) cord with 3-prong plug (grounding NEMA 5-15P)

**STANDARD CONSTRUCTION FEATURES:**

- Satin finish stainless steel front and exterior bottom with 76mm deep front rail
- Other surfaces painted black with electrolytic zinc undercoating
- Stainless steel 4" (102mm) rear flue riser standard
- 6" (152mm) adjustable stainless steel legs standard (Except M36-9A Model)
- 28" (711mm) stainless steel tubular legs standard with M36-9A Model
- Cabinet base with sides, back panel and two shelves on 36-9A Model
- 1-1/4" NPT front gas manifold with 1/2 union on each end

**AGENCY APPROVALS:**

- NSF Listed
- ETL Design Certified to ANSI Z83.11 • CSA 1.8
- CE Approved • EN 203-1



HDS-26 [Rev. 1/13]

Item No. \_\_\_\_\_

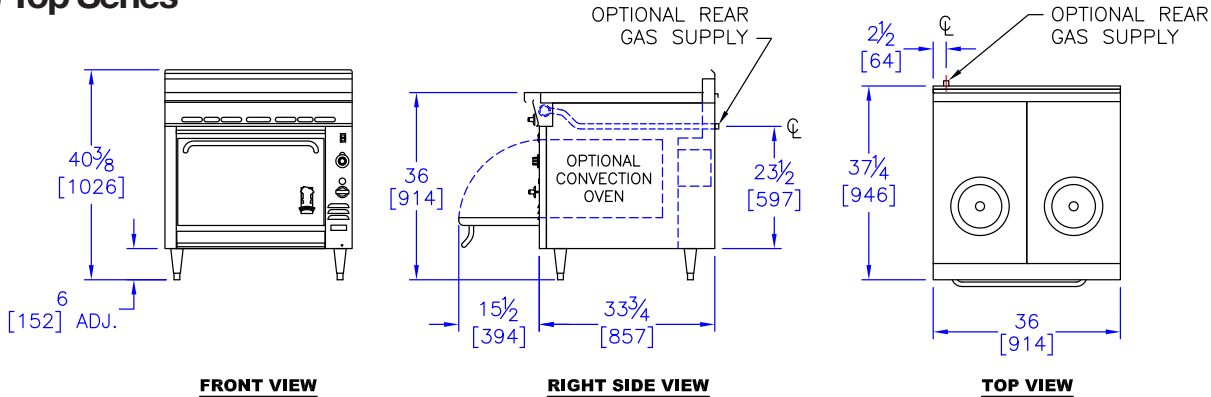
Project \_\_\_\_\_

Quantity \_\_\_\_\_

# LEGEND™ Heavy-Duty 36" (914mm) Gas Range

## (-9A) Top Series

Dimensions in brackets are millimeters



### OPTIONS GUIDE:

#### Top Range:

- 42" (1067mm) range depth [Add Suffix: -40]

#### Electrical (V136):

- 120 V, 1-phase, 60 Hz, 3.4 A (standard, with 6' (1.8m) NEMA 5-15P power cord)
- 208-240 V, 1-phase, 60 Hz, 1.7 A

#### Oven:

- Cast iron oven bottom
- Extra oven racks: \_\_\_\_ ea.
- 650°F (343°C) finishing oven with cast iron oven bottom - includes cast iron oven bottom option [see Heavy Duty option page HDS-46]

#### Back Panels/Shelves:

- 18" (457mm) high back
- Single high shelf
- Double high shelf

- 6" (152mm) wide stainless steel plate shelf
- 8" (203mm) wide stainless steel plate shelf

#### Finish:

- Stainless steel left side panel
- Stainless steel right side panel
- Stainless steel back panel
- Stainless steel shelves and sides [36-9A Cabinet Model]

#### Special Finish: [Consult Factory]

#### Manifolds: [Left rear with pressure regulator]:

- 1" NPT up to 400,000 BTU/hr
- Manifold Cap:  left side  right side

#### Stainless Manifold Cover:

- left side  right side

#### Controls: [see Heavy Duty option page HDS-46]

- Electronic rangetop pilot ignition; electronic oven control (V136 & 136 ovens only)

- Flame failure rangetop safety valves
- Electronic rangetop pilot ignition & flame failure rangetop safety valves; electronic oven control (V136 & 136 ovens only)

#### General:

- Casters — set of four 5" (127mm) casters
- Flanged feet with holes

#### Flex Connector Kit [1" NPT]:

- 3' (914mm)  4' (1219mm)

#### Security Options/Prison Package [Consult Factory]

#### International Approvals:

- CE - Conformance Européenne - EN203-1 Includes flame failure valve option
- Canadian Approval

### INSTALLATION REQUIREMENTS & SHIPPING INFORMATION

- Ovens & ranges must be installed in accordance with local codes or in their absence with the National Fuel Gas Code: ANSI Z223.1; Natural Fuel Gas Code: CAN/CGA-B149.1 or Propane Installation Code: CAN/CGA-B149.2, as applicable. Compliance with codes is the responsibility of the Owner and Installer.
- An adequate ventilation system is required. Refer to National Fire Protection Association Standard No. 96, "Vapor Removal from Cooking Equipment."
- This appliance is intended for commercial use by professionally trained personnel. NOT intended for Residential Use.
- Specify installation elevation: \_\_\_\_\_ if above 2,000 ft (610m).
- GAS INLET SIZE (All Models): 1-1/4 NPT front manifold with 1/2 union on each end provided for battery connection. A properly sized gas pressure regulator must be furnished by the Installer.
- The incoming gas line pressure into the regulator should be 8"-14" w.c. for natural gas, and 12"-14" w.c. for propane gas.

Minimum Clearances	Combustible Construction	Noncombustible Construction
From Back Wall*	2" (51mm)	0"
Left & Right Side	6" (152mm)	0"
With 6" (152mm) legs	Suitable for installation on combustible floors	
*V136 Models requires 2" (51mm) for motor clearance at rear.		
Curb installation requires a minimum toe space depth of 2" (51mm). Consult factory for details on installing convection oven range bases on curbs.		

Models:	Specify Type of Gas: Gas Delivery Pressure: Burners	<input type="checkbox"/> Natural	<input type="checkbox"/> Propane	Electrical	Shipping Weight	Shipping Class	Cube (Crated) ft <sup>3</sup> /m <sup>3</sup>
		6.0" WC BTU/hr (kW)	10.0" WC BTU/hr (kW)	120V Amperage			
136-9A	3	110,000 (32.2)	110,000 (32.2)	---	616 lbs (279 kg)	85	27/.75
V136-9A	3	115,000 (33.7)	115,000 (33.7)	3.4	640 lbs (290 kg)	85	27/.75
36-9A	2	70,000 (20.5)	70,000 (20.5)	---	430 lbs (195 kg)	85	27/.75
M36-9A	2	70,000 (20.5)	70,000 (20.5)	---	360 lbs (163 kg)	85	13/.4

Entry Clearance: 30" (762mm) uncrated, with legs removed [All Models]

Due to continuous product improvements, specifications are subject to change without notice.



**THE MONTAGUE COMPANY**  
 1830 Stearman Avenue, Hayward, CA 94545  
 800 345-1830 • Fax: 510 785-3342  
 www.montaguecompany.com



HDS-26 [Rev. 1/13]