



VECTAIRE™ Full-Size Bakery Depth Electric Convection Ovens

Item No. _____

Project _____

Quantity _____

EK15A Series



Model EK15A Shown
with optional casters

SHORT/BID SPECIFICATION

Convection oven shall be a Montague *Vectaire* full-size electric Model:

- EK15A** (six 2.5-kW heating elements grouped in two sets) a single bakery depth 15-kW unit with 24" (610mm) black painted, gusset-style legs

...with a porcelainized steel oven interior with one-speed [bakery] or two-speed [standard] fan, nine rack positions, five bright nickel racks with rack stops and no-tip guides standard; ball bearing mounted 50-50 split doors with double pane viewing windows, plus all the features listed and options/accessories checked:

OVEN INTERIOR CONSTRUCTION:

- Porcelainized steel cooking compartment
- Nine-position bright nickel rack guides
- Five bright nickel pan racks, with rack-stop and no-tip guides standard
- Two covered interior lights
- 4" (102mm) of insulation compressed to 2" (51mm) with metal sheathing

HEATING ELEMENTS & BLOWER SYSTEM:

- Six 2.5-kW heating elements grouped in two sets
- Blower with 3/4-horsepower two-speed motor

MODEL-PAN/RACK GUIDE:

✓	Model No.	Oven Depth	Racks/Positions	Rack Spacing	
				5-racks	9-racks
	EK15A	Bakery*	5/9	3-3/8" (86mm)	1-1/2" (38mm)

*18" x 26" (457 x 660mm) sheet pans length or sideways

EXTERIOR CONSTRUCTION FEATURES:

- Satin finish stainless steel front, sides and top
- Black painted steel back and legs
- Ball bearing mounted 50-50 double door
- Double pane thermal viewing windows
- Tubular grab-bar handle with insulated comfort grip
- Durable, adjustable door gasket
- 24" (610mm) legs gusset-style legs with adjustable bullet feet

CONTROL FEATURES:

- Power/fan control
- Automatic fan cutoff when door is opened (except in cool-down)
- Power indicator light
- Momentary-ON interior light switch
- Snap-action electric thermostat with 200-500°F (93-260°C) range
- Burner indicator light
- 60-minute electric countdown timer with alarm
- Moisture vent

AGENCY APPROVALS

- NSF Listed
- UL Listed (ANSI/UL-197)



VC0-10 [Rev. 1/13]

VECTAIRE™ Full-Size Bakery Depth Electric Convection Ovens

Item No. _____

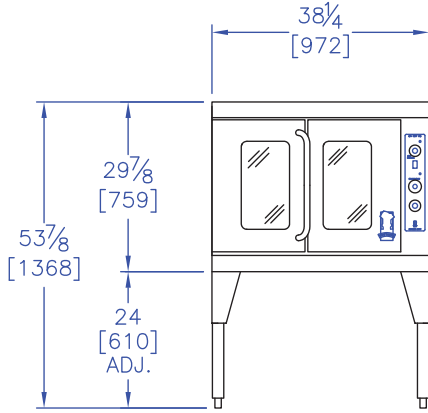
Project _____

Quantity _____

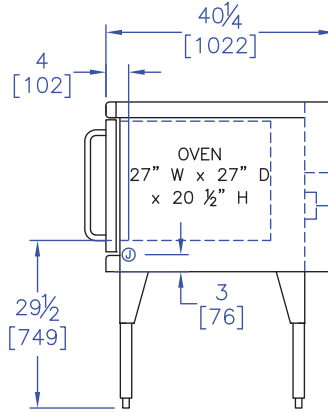
EK15A Series

Dimensions in brackets are millimeters

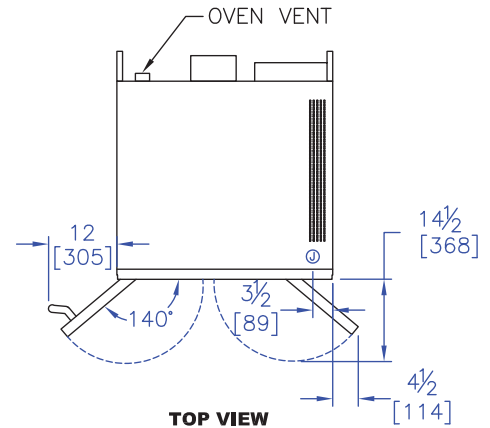
⊙ DENOTES 1" DIA. KNOCKOUT FOR FIELD SUPPLY CONNECTION



FRONT VIEW



RIGHT SIDE VIEW



TOP VIEW

OPTIONS GUIDE:

Installation Alternatives:

- Stacking Kit (for bottom unit)
- Stem casters 5" (127mm) for use with Gusset-style legs
- Modular Stand [open base] with 4" (102mm) frame, stainless steel front, lower shelf and 19-1/2" (495mm) stainless steel legs
 - Stem casters 3-1/2" (89mm)
 - 9 position removable pan slides for stand
- Heat shield kit- [See minimum clearances] installation

Finish:

- Full stainless steel oven interior [-ASC suffix]
- Stainless steel louvered back panel
- 24" (610mm) Stainless steel gusset-style legs
- Stainless steel exterior bottom

Electric, Controls & Motor Alternatives:

- Solid state thermostat

Racks & Security:

- Stainless steel drip tray
- Extra Racks: ___ ea. std.; ___ ea. heavy-duty
- 11-position rack guides [set of two]
- Solid Doors [in place of windows]
- Security Options [Consult Factory]

INSTALLATION REQUIREMENTS & SHIPPING INFORMATION

1. Oven must be installed in accordance with local codes or in their absence with the National Electric Code: ANSI/NFPA 70. Compliance with codes is the responsibility of the Owner and Installer.
2. An adequate ventilation system is required. Refer to National Fire Protection Association Standard No. 96, "Vapor Removal from Cooking Equipment."
3. This appliance is intended for commercial use by professionally trained personnel. NOT intended for Residential Use.

Minimum Clearances	Combustible Construction	Noncombustible Construction
From Back Wall	0"	0"
Left & Right Side	0"	0"
Unit must be mounted on legs.		

Electric Requirements*

Voltage	Phase	Hz	Total kW	Nominal AMP/Line EK15A			Minimum Circuit Capacity EK15A
			EK15A	L1	L2	L3	
208	1	60	15.15	78			98
240	1	60	15.15	69			98
208	3	60	15.15	43	43	41	54
240	3	60	15.15	40	40	36	54
480	3	60	15.15	22	22	19	27

*Other Voltage/Hz models available. Contact factory.

Shipping Information:

Models	Weight	Shipping Class	Cube (Crated) ft ³ /m ³
EK15A [all]	485 lbs (220 kg)	70	37/1
Modular Stand w/shelf	add 78 lbs (35 kg)	70	21/.6
Entry clearance 30" (762mm) uncrated			

Due to continuous product improvements, specifications are subject to change without notice.



THE MONTAGUE COMPANY

1830 Stearman Avenue, Hayward, CA 94545
 800 345-1830 • Fax: 510 785-3342
 www.montaguecompany.com

