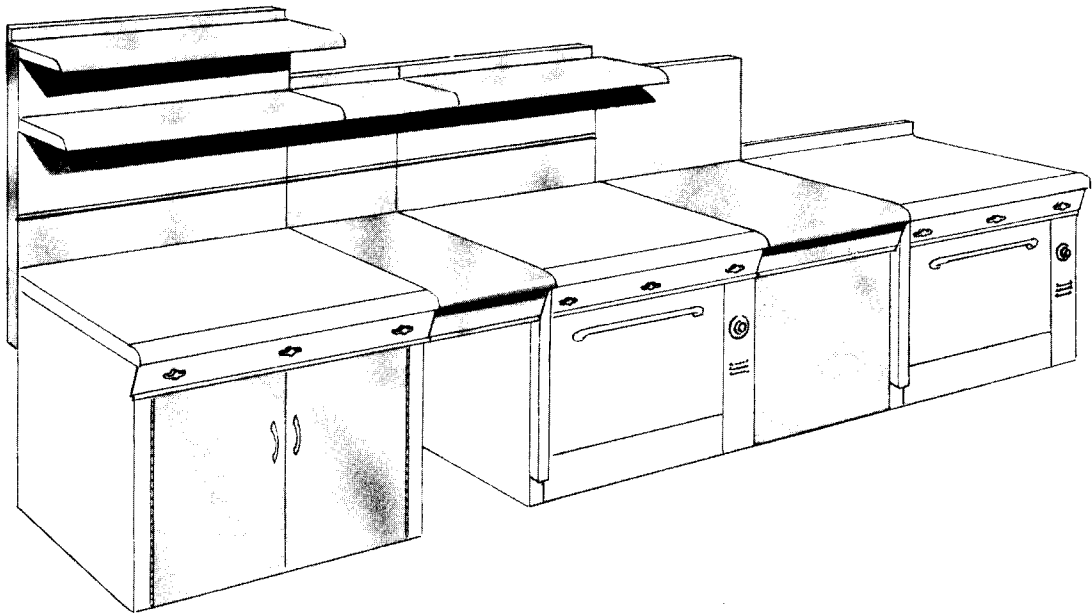


# Montague Range Accessories



## Specifications: Montague Range Accessories

General Information: Added to Montague basic equipment, these accessories enhance the overall smooth appearance of your cooking battery and save many hours of cleaning. Perfectly matched, all units can be pre-assembled and installed from the front after ranges are in place. Single and double Hi-Shelves and 18" Hi-Backs install without the use of nuts, bolts, screws or tools.

Hi-Shelf "Lips": A special lip running across the bottom of Hi-Shelves collects grease and moisture, depositing it on the range where it can be easily removed... not down the back of the range.

Hidden Flues: Specially-designed flues within Montague Hi-Shelves distribute even warmth throughout every

square inch of shelf area. Ideal temperatures are maintained for heating plates and keeping food warm.

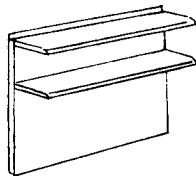
Hi-Shelf Construction: Sturdy, double-wall design of Montague Hi-Shelves and Hi-Backs eliminates grease-trapping cracks, speeds cleanup.

Special Fry Tops: Montague offers extra-length Fry Tops in 48", 54", 60" and 72" widths and cooking depths of 28" and 34". Standard 3/4" thick; or 1" thick (optional). These cover multiple-range combinations and Montague Add-A-Unit sections.

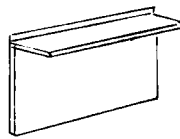
Dimensions: See other side.

Note: Design improvements may affect change to specifications without notice.

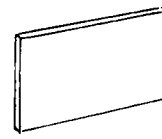
The Montague Company, 792 Montague Ave., San Leandro, California 94577 • Telephone 415-351-9162 • Telex 34-0528



DOUBLE HI-SHELF



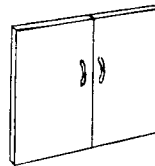
SINGLE HI-SHELF



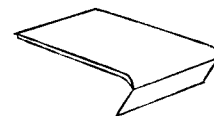
18" HI-BACK



12" AND 18" APRON FRONTS



DOORS FOR LESS OVEN

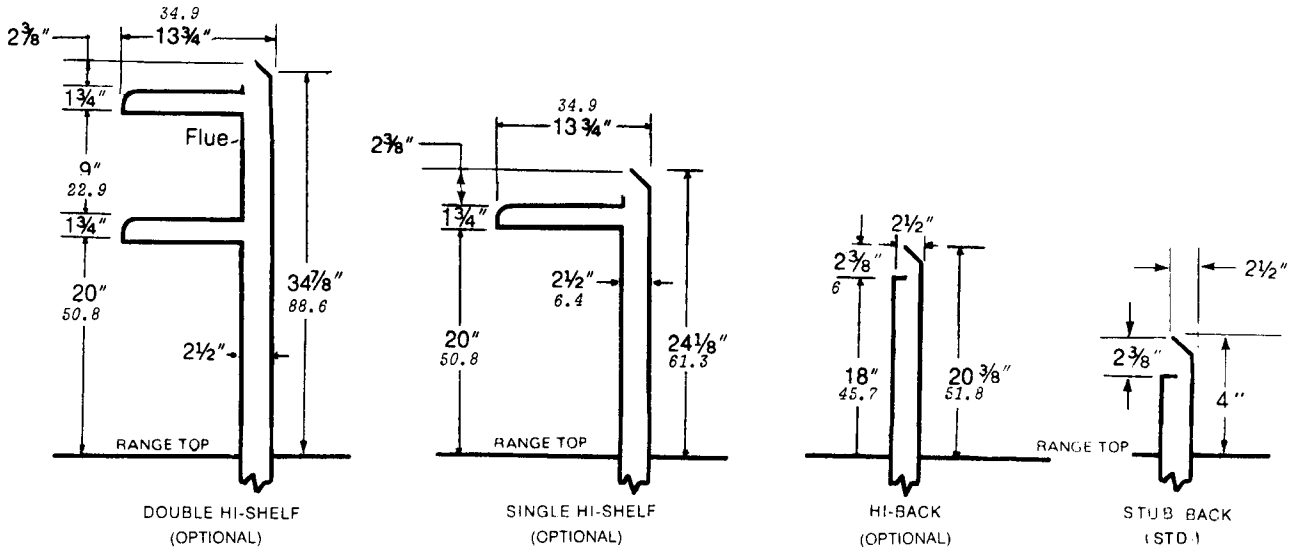


12" AND 18" SPREADER PLATES

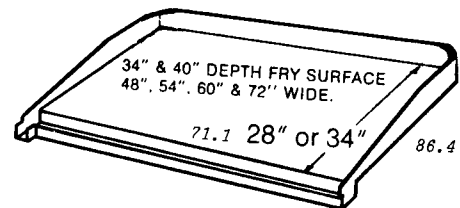
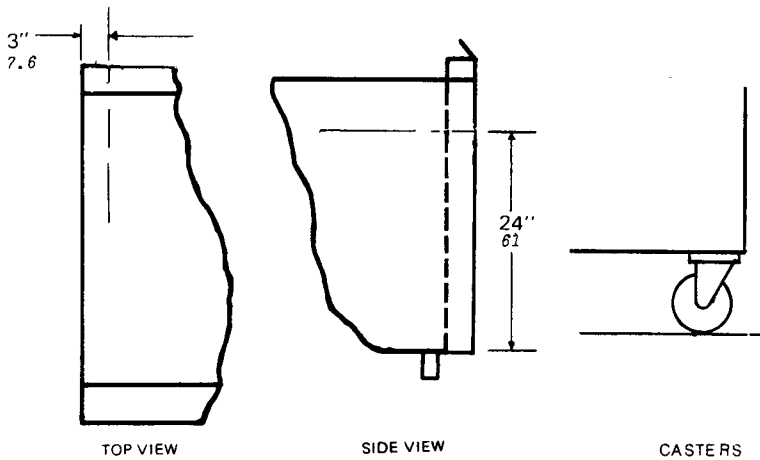
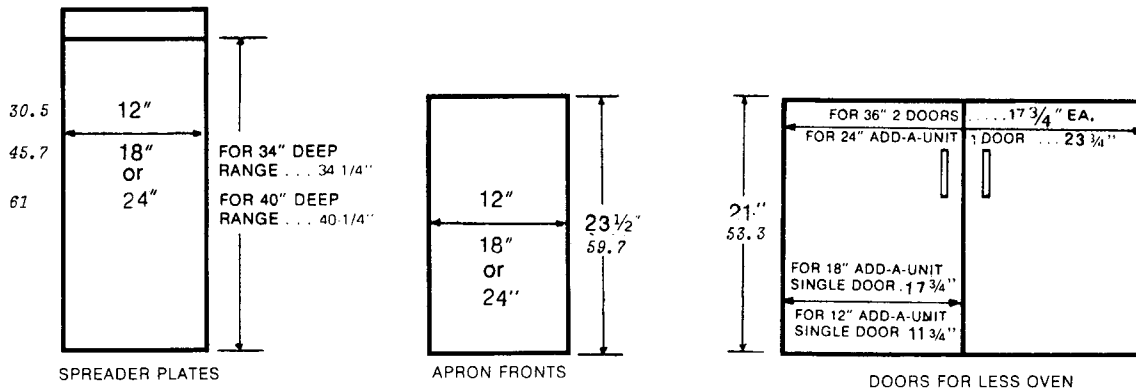


# Montague Range Accessories

## Specifications: Montague Range Accessories



ABOVE AVAILABLE IN 12", 18", 24" AND 36" WIDTHS, AND ONE-PIECE SECTIONS UP TO 108" TO MOUNT OVER A RANGE BATTERY.



11.4 EXTRA WIDE ONE-PIECE FRY TOPS FOR BATTERY ARRANGEMENTS.

*Black Numbers Centimeters*

OPTIONAL 3/4" OR 1" REAR GAS CONNECTION

Commercial Cooking Equipment  
 Since 1857

