



Simply Engineered Better

# 201HT

Undercounter High Temperature Dishwashing Machine with Built-in Booster Heater



## SPECIFIER STATEMENT

Specified unit will be Moyer Diebel Model 201HT undercounter high temperature dishwashing machine with built-in booster.

Features include 15-3/4" door opening, standard detergent and rinse-aid dispensing pumps. Built-in 40°F rise booster, and wash tank heater maintains water required temperature.

1 year parts and labor warranty.



MD031 Printed in U.S.A.

Project \_\_\_\_\_

Item No. \_\_\_\_\_

Quantity \_\_\_\_\_

201HT UNDERCOUNTER

## STANDARD FEATURES

- Soft start, protects dishes and glasses from chipping or breakage
- Fully automatic wash/rinse cycle processes a rack of wares in 141 seconds ... 27 racks an hour!\*
- Thermostatically controlled wash tank heater maintains water at the required temperature
- Pumped drain permits use of drain connection up to 6' of which 3' can be vertical
- Stainless steel top and side panels standard
- Top-mounted detergent and rinse aid prime switches
- Counter balanced door minimizes wear and tear on door supports
- Clog-resistant filtering system
- Fill and drain operation
- Built-in detergent and rinse-aid pumps
- Upper & lower interchangeable spray arms
- Low water consumption
- Energy efficient, only 30 amp breaker required for 40°F rise
- Available in 70° rise booster
- Rinse Sentry ensures 180°F final rinse
- 15-3/4" clearance for wares
- Complete with two 20" x 20" racks, one peg and one flat
- One year parts and labor warranty

\* Excludes 20 second NSF load/unload time

## OPTIONS & ACCESSORIES

70°F rise booster	
CST – Combination sink/table Machine on right	P/N 403561
CST – Combination sink/table Machine on left	P/N 403562
Flat bottom dishrack	P/N 101273
Peg dishrack	P/N 101285
6" Stand	P/N 0712393
17RS – 17" Stand	P/N 0708757
<input type="checkbox"/> 1" roller casters	P/N
<input type="checkbox"/> Quick disconnect package	P/N

### Moyer Diebel – USA

3765 Champion Blvd., Winston-Salem, NC 27105 Tel: 336/661-1992 Fax: 336/661-1979 800/228-8350  
www.moyerdiebel.com



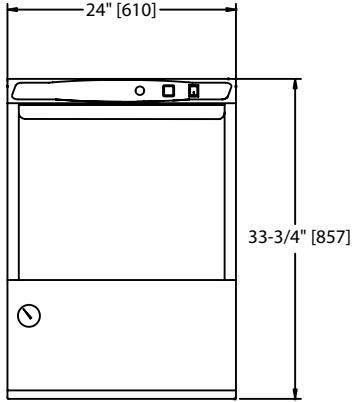


Simply Engineered Better

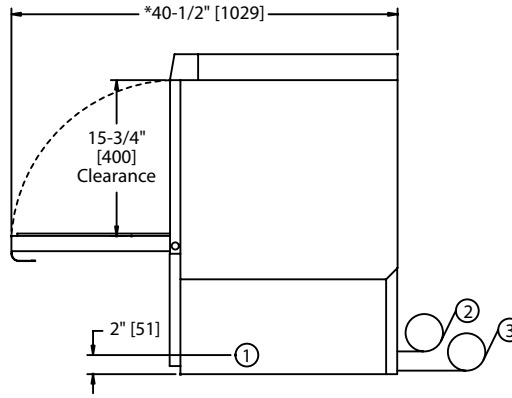
# 201HT

Undercounter  
High Temperature Dishwashing Machine  
with Built-in Booster Heater

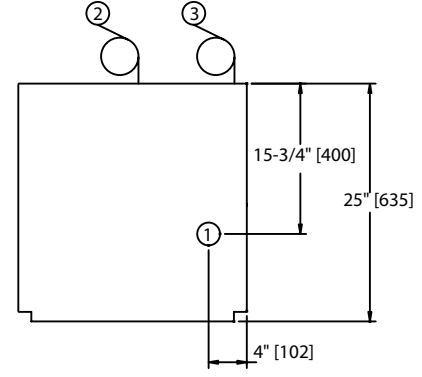
Dimensions shown in inches and [millimeters]



Front View



Side View



Plan View

\*Note: Allow additional 3" clearance from wall.

Utilities	
<b>1 Electrical Connection</b>	208-240/60/1; 3 wire plus ground, (See Box). 208-240/60/3; 4 wire plus ground, (See Box).
<b>2 Hot Water</b>	140°F/60°C Min., hot water for 40°F/22°C rise booster. 110°F/43°C Min., hot water for 70°F/39°C rise booster. 5 ft. long 1/2" I.D. flexible fill hose with 3/4" hose connector. Flow pressure: 25-95 psi (173-656 kPa)
<b>3 Drain Connection</b>	5/8" [15.9] I.D. flexible reinforced hose, 6 ft. [1829] long. Max. drain flow 15 US gpm. [12.5 imp gal] Max. drain height 3 ft. [914]

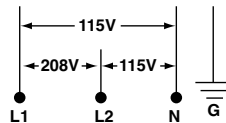
**201HT with 40°F Rise Booster**

Electrical Specs.	Rated Amps	Minimum Supply Ckt. Conductor Ampacity	Maximum Overcurrent Protective Device
208/60/1	32	40	40
240/60/1	36	40	40
208/60/3	22	30	30
240/60/3	24	30	30

**201HT with 70°F Rise Booster**

Electrical Specs.	Rated Amps	Minimum Supply Ckt. Conductor Ampacity	Maximum Overcurrent Protective Device
208/60/1	45	60	60
240/60/1	50	60	60
208/60/3	29	35	35
240/60/3	33	40	40

	Uncrated	Crated
<b>Height</b>	33-3/4"	39-1/2"
<b>Width</b>	24"	25"
<b>Depth</b>	25"	25-1/2"
<b>Ship Wt. lbs/kg</b>	178	198
* Adjustable foot height - 11/4" [45]		



\*Note: Electrical supply service must be a 3-wire plus ground for connection as shown.

Note: Field convertible to accept 3 phase power.

## SPECIFICATIONS

**Capacity**

\*Racks per hr. 27

**Motor Horsepower**

Wash 1

**Water Consumption**

Per hr. (max. use) 38.4 US gal;  
Per rack 1.8 US gal;

**Temperatures °F**

Wash (minimum) 150  
Rinse (minimum) 180

**Heating**

Tank heat, electric (kW) 2.0  
Electric booster (kW required for 40°F rise) 6  
(kW required for 70°F rise) 9

**Time Cycle in Seconds**

Wash 90  
Rinse 26  
Drain/fill 25  
Total 141

\* Excludes 20 second NSF load/unload time

**Warning:** Plumbing and electrical connections should be made by qualified personnel who will observe all the applicable plumbing, sanitary and safety codes. Due to an ongoing value analysis program at Moyer Diebel, specifications in this catalog are subject to change without notice.