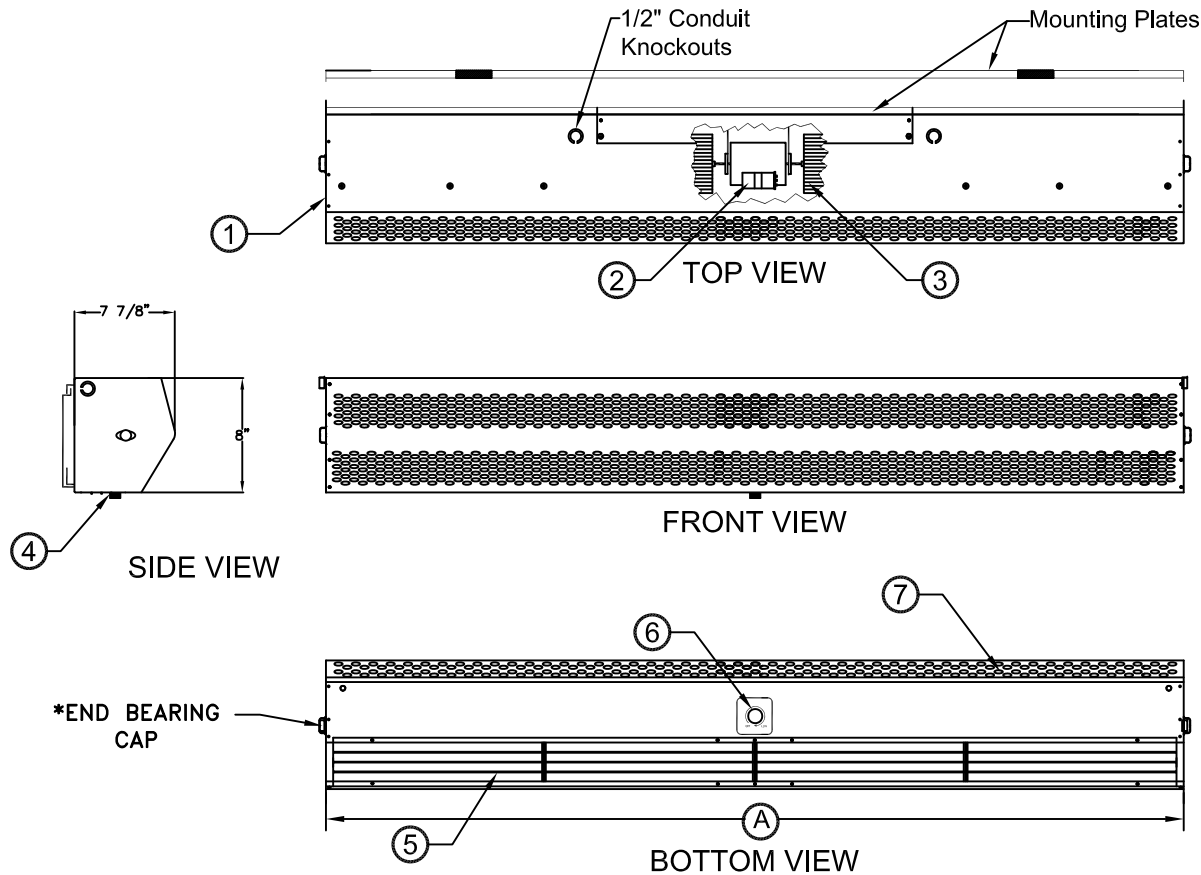


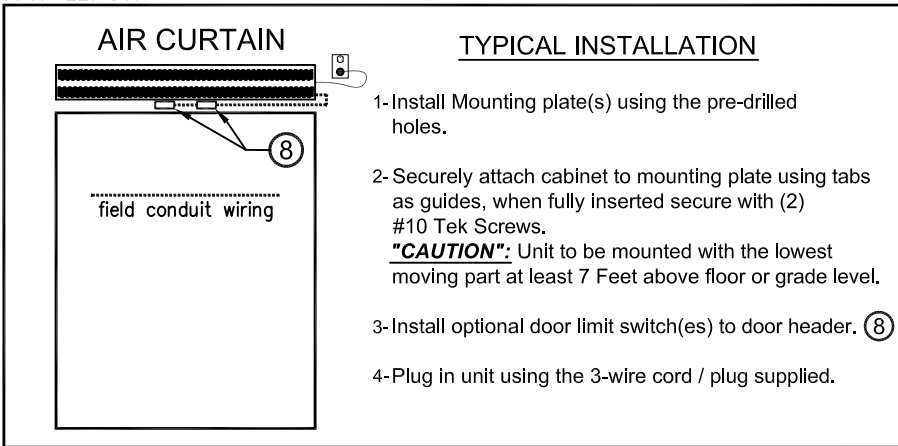
NOTES:

- ① This product is designed to meet the National Electric Code (NEC), ETL Listed for the US and Canada, NSF/ANSI Standard 37, and bear the CE mark.
- ② Continuous duty, direct drive, single speed, double shaft motors with automatic thermal overload protection. Overload protects motor from burnout, minimizing maintenance costs. Motor connected with an 8' cord, three conductor cord and plug.
- ③ Blower wheels are rust proof and dynamically balanced to provide quiet operation, while maintaining high air velocity.
- ④ Low profile appearance. Overall height is 8" and overall depth is 10 3/4".
- ⑤ Air directional vanes, with 40° sweep front to back, compensates for drafts.
- ⑥ Countertop or cession applications are denoted with an-F at the end of the model numbers and supplied with washable aluminum filters. LPN25, LPN28 & LPN30 include the washable aluminium filters as standard.
- ⑦ All units have a self contained one piece cabinet, fire retardant and corrosion proof paint lock metal, double protected with Obsidian Black rust preventative electrostatic powder coatin. Units greater than 72" are double units joined with a 2" mounting bracket located in the center, field installed.
- ⑧ Normally closed door limit switch(es) is optional and field installed. Switch to be mounted so the air curtain turns on as the door begins to open.



*BEARING CAP ADDS 1/2" TO UNIT LENGTH

MODEL NUMBER	UNIT LENGTH (A)
LPN2 25-1U	25"
LPN2 28-1U	28"
LPN2 30-1U	30"
LPN2 36-1U	36"
LPN2 42-1U	42"
LPN2 48-1U	48"
LPN2 60-1U	60"
LPN2 72-1U	72"
LPN2 84-2U	86"
LPN2 96-2U	98"
LPN2 108-2U	110"
LPN2 120-2U	122"
LPN2 144-2U	146"



PROJECT	Model No.:
LOCATION	Drawing No.:
ARCHITECT	Date
ENGINEER	Sheet of
	Drawn By:
	Checked By:

MARS[®]
AIR SYSTEMS

14716 S. BROADWAY • GARDENA, CA 90248 • USA
TEL: (310) 532-1555 • (800) 421-1266 • FAX: (310) 324-3030
Web Site: www.marsair.com • E-mail: info@marsair.com

JOB:

ARCHITECT/ENGINEER:

DRWG.: _____

CONTRACTOR:

SHEET ____ **of** ____ **DATE:** _____

MARK	MODEL NUMBER	NUMBER REQ'D	OVERALL LENGTH (INCHES)	MOTOR HP @ 1550 RPM**	WEIGHT (LBS)	MOTOR FAN DATA					REMARKS
						FLA* SINGLE PHASE		Max FPM** at Nozzle	Max CFM** at Nozzle	dBA Measured 10 ft. from Nozzle	
						115V	208/230V				
	LPN2 25-1U		25	1 @ 1/6	24	2.4	1.2/1.2	1800	625	49	
	LPN2 28-1U		28	1 @ 1/6	25	2.4	1.2/1.2	1800	700	49	
	LPN2 30-1U		30	1 @ 1/6	28	2.4	1.2/1.2	1800	750	49	
	LPN2 36-1U		36	1 @ 1/6	35	2.4	1.2/1.2	1800	900	49	
	LPN2 42-1U		42	1 @ 1/6	38	2.4	1.2/1.2	1800	1050	50	
	LPN2 48-1U		48	1 @ 1/6	42	2.4	1.2/1.2	1800	1200	52	
	LPN2 60-1U		60	1 @ 1/6	51	2.6	1.4/1.4	1800	1500	53	
	LPN2 72-1U		72	1 @ 1/6	61	2.6	1.4/1.4	1800	1800	53	
	LPN2 84-2U		86	2 @ 1/6	79	4.8	2.4/2.4	1800	2100	53	
	LPN2 96-2U		98	2 @ 1/6	87	4.8	2.4/2.4	1800	2400	53	
	LPN2 108-2U		110	2 @ 1/6	96	5.0	2.6/2.6	1800	2700	54	
	LPN2 120-2U		122	2 @ 1/6	105	5.2	2.8/2.8	1800	3000	54	
	LPN2 144-2U		146	2 @ 1/6	125	5.2	2.8/2.8	1800	3600	54	

EQUIPMENT SPECIFICATIONS – Standard Features

GENERAL

Air curtain shall be a Mars® Air Doors brand air curtain: LoPro NSF Commercial unheated.

APPROVALS

Air curtain shall meet the requirements of the National Electric Code. (N.E.C.), ETL Listed for US & Canada, NSF/ANSI Standard 37, and bear the CE mark.

CABINET

Cabinet shall be a self contained one piece housing with sufficient strength for fastening to wall on both ends without intermediate support. Cabinet constructed of fire retardant, corrosion proof paint lock metal and double protected with Obsidian Black baked rust preventative electrostatic polyurethane powder coating. Discharge air outlet nozzle is internal wedge shaped containing adjustable air direction aluminum vanes with 40° sweep front to back. Motor & Fans are easily accessible for maintenance. Countertop or concession applications are denoted with an -F in the model number and supplied with washable aluminum filters. LPN25, LPN28 & LPN30 include the washable aluminium filter as standard.

MOTORS AND BLOWER WHEELS

Motor(s) shall be totally enclosed air over (TEAO) type suitable for continuous heavy duty, all angle operation. Construction shall include sealed lifetime pre-lubricated ball bearings, resilient mounted and protected by an automatic reset thermal overload switch. Motor(s) to have double extended shaft and direct drive, cross flow blower wheels.

ELECTRICAL WIRING

Unit supplied with 1/2" Conduit Knockouts.

GUARANTEE

Shall be 5 years on all parts.

ACCESSORIES

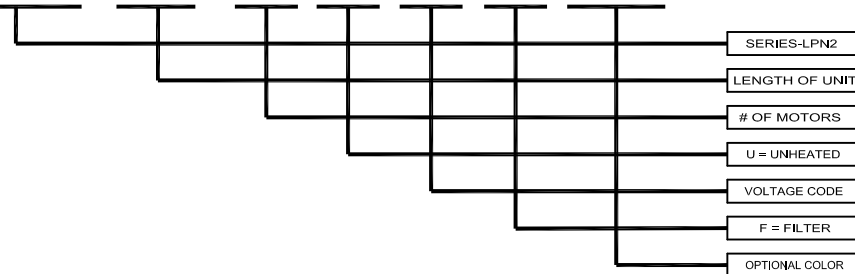
Refer to optional features and accessories page.

*- For Ampacity Multiply FLA X 1.25

** - 17% Reduction in Performance on units with 50Hz.

EXAMPLE

LPN2144-2 U A - F - OB



SIZE	VOLTAGE	CODE
25"-144"	115/1/60	A
25"-144"	208-230/1/60	D
25"-144"	220/1/50	U

COLOR	CODE
OBSIDIAN BLACK	OB
TITANIUM SILVER	TS
PEARL WHITE	PW
SPARTAN BRONZE	SB
BATTLESHIP GRAY	BG

MADE WITH PRIDE IN THE U.S.A.