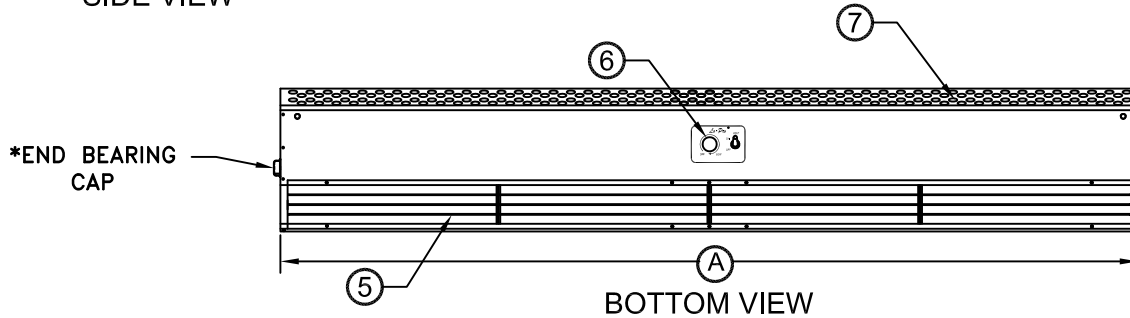
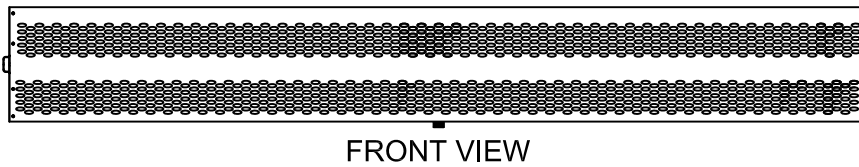
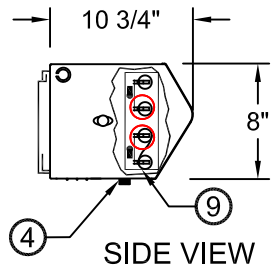
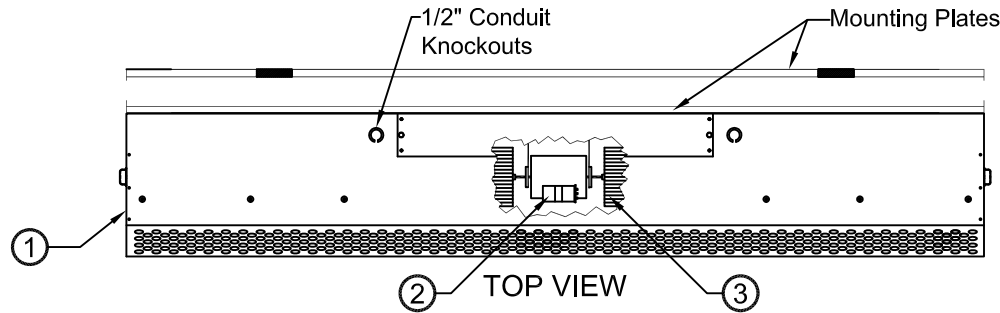


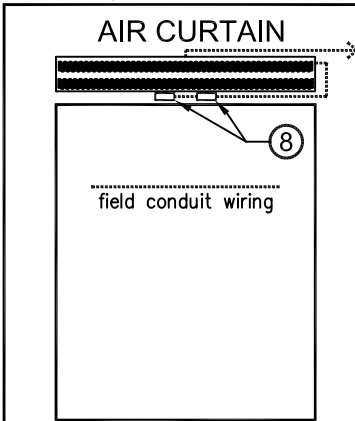
NOTES:

- ① This product is designed to meet the National Electric Code (NEC), ETL Listed for the US & Canada, and bear the CE mark.
- ② Continuous duty, direct drive, variable speed, double shaft motors with automatic thermal overload protection. Overload protects motor from burnout, minimizing maintenance costs.
- ③ Blower wheels are rust proof and dynamically balanced to provide quiet operation, while maintaining high air velocity.
- ④ Low profile appearance. Overall height is 8" and overall depth is 10 3/4".
- ⑤ Air directional vanes, with 40° sweep front to back, compensates for drafts.
- ⑥ Mounted adjustable speed controller knob allows air velocity to meet a wide range of field conditions. Units greater than 72" are double units joined with a 2" mounting bracket located in the center, field installed. The speed controller and heater on/off toggle controls for the heater will be located on the right hand unit and controls both units.
- ⑦ All units have a self contained one piece cabinet, fire retardant and corrosion proof paint lock metal, double protected with Obsidian Black rust preventative electrostatic powdercoating.
- ⑧ Normally closed door limit switch(es) is optional and field installed. Switch to be mounted so the air curtain turns on as the door begins to open.
- ⑨ Units greater than 72" require dual power supplies, one for each air curtain.



*BEARING CAP ADDS 1/2" TO UNIT LENGTH

MODEL NUMBER	UNIT LENGTH (A)
LPV2 25-1E	25"
LPV2 28-1E	28"
LPV2 30-1E	30"
LPV2 36-1E	36"
LPV2 42-1E	42"
LPV2 48-1E	48"
LPV2 60-1E	60"
LPV2 72-1E	72"
LPV2 84-2E	86"
LPV2 96-2E	98"
LPV2 108-2E	110"
LPV2 120-2E	122"
LPV2 144-2E	146"



- TYPICAL INSTALLATION**
- 1- Install Mounting plate(s) using the pre-drilled holes.
 - 2- Securely attach cabinet to mounting plate using tabs as guides, when fully inserted secure with (2) #10 Tek Screws.
"CAUTION": Unit to be mounted with the lowest moving part at least 7 Feet above floor or grade level.
 - 3- Install optional door limit switch(es) to door header. ⑧
 - 4- Connect internal wires from unit to supply power.

PROJECT	Model No.:
LOCATION	Drawing No.:
ARCHITECT	Date
ENGINEER	Sheet of
	Drawn By:
	Checked By:



14716 S. BROADWAY • GARDENA, CA 90248 • USA
 TEL: (310) 532-1555 • (800) 421-1266 • FAX: (310) 324-3030
 Web Site: www.marsair.com • E-mail: info@marsair.com

JOB:

ARCHITECT/ENGINEER:

DRWG.:

CONTRACTOR:

SHEET ____ **of** ____ **DATE:** _____

MARK	MODEL NUMBER	NUMBER REQ'D	OVERALL LENGTH (INCHES)	MOTORS HP @ 1550 RPM**	WEIGHT (LBS)	MOTOR FAN DATA											REMARKS	
						MOTOR		HEATER					TEMP RISE	Max FPM** at Nozzle	Max CFM** at Nozzle	dBA Measured 10 ft. from Nozzle		
						FLA*		INPUT kW	AMPS*			TEMP RISE						
						SINGLE PHASE	115V		208/230V	SINGLE PHASE	THREE PHASE							
208V	230V	208V	230V	460V(†)														
	LPV2 25-1E		25	1 @ 1/6	25	2.4	1.2/1.2	6.1	29	25	--/--	--/--	--/--	30	1800	625	48	
	LPV2 28-1E		28	1 @ 1/6	27	2.4	1.2/1.2	6.1	29	25	--/--	--/--	--/--	28	1800	700	48	
	LPV2 30-1E		30	1 @ 1/6	32	2.4	1.2/1.2	6.1	29	25	17	15	8	25	1800	750	48	
	LPV2 36-1E		36	1 @ 1/6	40	2.4	1.2/1.2	6.1/10	29/48	25/42	17/28	15/24	8/12	21/35	1800	900	48	
	LPV2 42-1E		42	1 @ 1/6	43	2.4	1.2/1.2	8.0/10	38/48	33/42	23/28	20/24	10/12	24/30	1800	1050	49	
	LPV2 48-1E		48	1 @ 1/6	48	2.4	1.2/1.2	8.0/13	38/62.5†	33/54†	23/36	20/31	10/16	21/40	1800	1200	51	
	LPV2 60-1E		60	1 @ 1/6	58	2.6	1.4/1.4	9.5/13	46/62.5†	40/54†	26/36	24/31	12/16	20/32	1800	1500	51	
	LPV2 72-1E		72	1 @ 1/6	69	2.6	1.4/1.4	9.5/13	46/62.5†	40/54†	26/36	24/31	12/16	16/26	1800	1800	52	
	LPV2 84-2E		86	2 @ 1/6	85	4.8	2.4/2.4	16.0/20	77†/96†	67†/83†	46/56 †	40/48	20/24	24/30	1800	2100	52	
	LPV2 96-2E		98	2 @ 1/6	98	4.8	2.4/2.4	16.0/26	77†/---	67†/---	46/72 †	40/63 †	20/31	21/40	1800	2400	53	
	LPV2 108-2E		110	2 @ 1/6	108	5.0	2.6/2.6	17.5/26	84†/---	73†/---	48/72 †	44/63 †	22/31	20/35	1800	2700	53	
	LPV2 120-2E		122	2 @ 1/6	118	5.2	2.8/2.8	19.0/26	91†/---	79†/---	52/72 †	48/63 †	24/31	20/27	1800	3000	54	
	LPV2 144-2E		146	2 @ 1/6	142	5.2	2.8/2.8	19.0/26	91†/---	79†/---	52/72 †	48/63 †	24/31	17/23	1800	3600	54	

(†) TWO CIRCUITS REQUIRED

(‡) A SEPARATE 115/208 OR 230 POWER SUPPLIED REQUIRED FOR MOTORS

EQUIPMENT SPECIFICATIONS – Standard Features

GENERAL

Air curtain shall be a Mars® Air Doors brand air curtain: Electric Heated LoPro2 Variable Speed Commercial.

APPROVALS

Air curtain shall meet the requirements of the National Electric Code. (N.E.C.), ETL Listed for US & Canada, and bear the CE mark.

CABINET

Cabinet shall be a self contained one piece housing with sufficient strength for fastening to wall on both ends without intermediate support. Cabinet constructed of fire retardant, corrosion proof paint lock metal and double protected with Obsidian Black baked rust preventative electrostatic polyurethane powder coating. Discharge air outlet nozzle is internal wedge shaped containing adjustable air direction aluminum vanes with 40° sweep front to back. Motor & Fans are easily accessible for maintenance.

MOTORS AND BLOWER WHEELS

Motor(s) shall be totally enclosed air over (TEAO) type suitable for continuous heavy duty, all angle operation. Construction shall include sealed lifetime pre-lubricated ball bearings, resilient mounted and protected by an automatic reset thermal overload switch. Motor(s) to have double extended shaft and direct drive, cross flow blower wheels.

ELECTRIC HEATER COIL

The heating coils shall be an open coil type nickel chromium for rapid temperature rise to be located in the air curtain intake directly in the air stream. None reset-able thermal overload protection shall be provided, which shall directly disconnect the electric power from the heaters in the event of an overload. Secondary protectors in the heating contactor shall not be substituted.

ELECTRICAL WIRING

Unit supplied with 1/2" Conduit Knockouts.

GUARANTEE

Shall be 18 months on all parts.

MADE WITH PRIDE IN THE USA

***- For Ampacity Multiply FLA X 1.25**

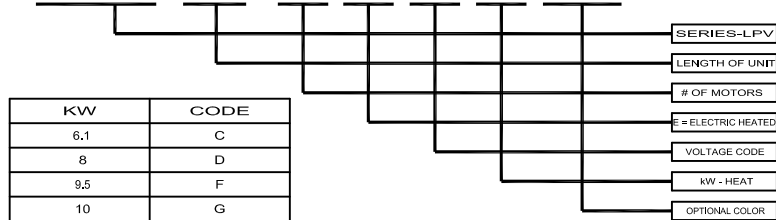
**** - 17% Reduction in Performance on units with 50Hz.**

ACCESSORIES

Refer to optional features and accessories page.

EXAMPLE

① **LPV2144 - 2 E C C - OB**



KW	CODE
6.1	C
8	D
9.5	F
10	G
13	I
16	J
17.5	U
19	L
20	M
26	O

SIZE	VOLTAGE	CODE
25"-144"	208/1/60	B
25"-144"	230/1/60	C
25"-144"	208/3/60	E
25"-144"	230/3/60	F
25"-144"	460/3/60-115/1/60	O
25"-144"	460/3/60-208/1/60	P

COLOR	CODE
OBSIDIAN BLACK	OB
TITANIUM SILVER	TS
PEARL WHITE	PW
SPARTAN BRONZE	SB
BATTLESHIP GRAY	BG