

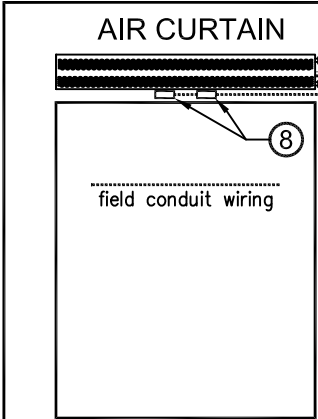
NOTES:

- ① This product is designed to meet the National Electric Code (NEC), ETL Listed for the US & Canada, and bear the CE mark.
- ② Continuous duty, direct drive, variable speed, double shaft motors with automatic thermal overload protection. Overload protects motor from burnout, minimizing maintenance costs. Motor connected with an 8' cord, three conductor cord and plug.
- ③ Blower wheels are rust proof and dynamically balanced to provide quiet operation, while maintaining high air velocity.
- ④ Low profile appearance. Overall height is 8" and overall depth is 10 3/4".
- ⑤ Air directional vanes, with 40° sweep front to back, compensates for drafts.
- ⑥ Mounted adjustable speed controller knob allows air velocity to meet a wide range of field conditions. Units greater than 72" are double units joined with a 2" mounting bracket located in the center, field installed. The speed controller will be located on the right hand unit and controls both units.
- ⑦ All units have a self contained one piece cabinet, fire retardant and corrosion proof paint lock metal, double protected with Obsidian Black rust preventative electrostatic powdercoating.
- ⑧ Normally closed door limit switch(es) is optional and field installed. Switch to be mounted so the air curtain turns on as the door begins to open.
- ⑨ Coil is only supplied as a same end coil. Mounted right hand is standard. Optional location is left hand. Units greater than 72" have coil connections on both ends.



*BEARING CAP ADDS 1/2" TO UNIT LENGTH

MODEL NUMBER	UNIT LENGTH (A)
LPV2 30-1V	30"
LPV2 36-1V	36"
LPV2 42-1V	42"
LPV2 48-1V	48"
LPV2 60-1V	60"
LPV2 72-1V	72"
LPV2 84-2V	86"
LPV2 96-2V	98"
LPV2 108-2V	110"
LPV2 120-2V	122"
LPV2 144-2V	146"



TYPICAL INSTALLATION

- 1-Install Mounting plate(s) using the pre-drilled holes.
- 2- Securely attach cabinet to mounting plate using tabs as guides, when fully inserted secure with (2) #10 Tek Screws.
"CAUTION": Unit to be mounted with the lowest moving part at least 7 Feet above floor or grade level.
- 3-Install optional door limit switch(es) to door header. ⑧
- 4-Plug in unit using the 3-wire cord / plug supplied.

PROJECT	Model No.:
LOCATION	Drawing No.:
ARCHITECT	Date
ENGINEER	Sheet of
	Drawn By:
	Checked By:



14716 S. BROADWAY • GARDENA, CA 90248 • USA
 TEL:(310) 532-1555 • (800) 421-1266 • FAX:(310) 324-3030
 Web Site: www.marsair.com • E-mail:info@marsair.com

JOB:

ARCHITECT/ENGINEER:

DRWG.: _____

CONTRACTOR:

SHEET _____ **of** _____ **DATE:** _____

MARK	MODEL NUMBER	NUMBER REQ'D	OVERALL LENGTH (INCHES)	MOTOR HP @ 1550 RPM**	UNIT & SINGLE ROW COIL WEIGHT (Lbs)	MOTOR FAN DATA				HEATING CAPACITY OF COILS					dBA Measured 10 ft. from Nozzle	REMARKS
						FLA* SINGLE PHASE		Max FPM** at Nozzle	Max CFM** at Nozzle	STEAM ①		HOT WATER ②				
						115V	208/230V			MBH	ΔT°F	MBH	ΔT°F	GPM		
	LPV2 30-1V		30	1 @ 1/6	36	2.4	1.2/1.2	1800	750	40	40	23	30	2.9	48	
	LPV2 36-1V		36	1 @ 1/6	43	2.4	1.2/1.2	1800	900	49	40	29	30	3.5	48	
	LPV2 42-1V		42	1 @ 1/6	48	2.4	1.2/1.2	1800	1050	58	40	35	30	4.1	49	
	LPV2 48-1V		48	1 @ 1/6	53	2.4	1.2/1.2	1800	1200	67	40	40	30	4.7	51	
	LPV2 60-1V		60	1 @ 1/6	63	2.6	1.4/1.4	1800	1500	85	40	51	30	5.0	51	
	LPV2 72-1V		72	1 @ 1/6	74	2.6	1.4/1.4	1800	1800	102	40	60	30	5.0	52	
	LPV2 84-2V		86	2 @ 1/6	113	4.8	2.4/2.4	1800	2100	58	40	35	30	4.1	52	
	LPV2 96-2V		98	2 @ 1/6	124	4.8	2.4/2.4	1800	2400	67	40	40	30	4.7	53	
	LPV2 108-2V		110	2 @ 1/6	135	5.0	2.6/2.6	1800	2700	85	40	51	30	5.0	53	
	LPV2 120-2V		122	2 @ 1/6	146	5.2	2.8/2.8	1800	3000	85	40	51	30	5.0	54	
	LPV2 144-2V		146	2 @ 1/6	169	5.2	2.8/2.8	1800	3600	102	40	60	30	5.0	54	

EQUIPMENT SPECIFICATIONS – Standard Features

GENERAL

Air curtain shall be a Mars® Air Doors brand air curtain: Steam/Hot Water Heated LoPro2 Variable Speed Commercial.

APPROVALS

Air curtain shall meet the requirements of the National Electric Code. (N.E.C.), ETL Listed for US & Canada, and bear the CE mark.

CABINET

Cabinet shall be a self contained one piece housing with sufficient strength for fastening to wall on both ends without intermediate support. Cabinet constructed of fire retardant, corrosion proof paint lock metal and double protected with Obsidian Black baked rust preventative electrostatic polyurethane powder coating. Discharge air outlet nozzle is internal wedge shaped containing adjustable air direction aluminum vanes with 40° sweep front to back. Motor & Fans are easily accessible for maintenance.

MOTORS AND BLOWER WHEELS

Motor(s) shall be totally enclosed air over (TEAO) type suitable for continuous heavy duty, all angle operation. Construction shall include sealed lifetime pre-lubricated ball bearings, resilient mounted and protected by an automatic reset thermal overload switch. Motor(s) to have double extended shaft and direct drive, cross flow blower wheels.

COIL CONSTRUCTION FOR BOTH HOT WATER & STEAM

Coils shall be constructed of .035" heavy tube wall x 5/8" OD seamless copper tubing with die formed aluminum fins. Tubes shall be arranged in a staggered pattern in the direction of air flow. Casing shall be not less than 16 gauge galvanized steel with tube holes formed with extruded collars. Tubes shall be mechanically expanded into fins to assure a uniform pressure bond throughout the entire length of each tube. Manifolds shall be of heavy seamless copper construction. All Joints shall be brazed with high temperature silver brazing alloy. Fittings shall be of wrought copper or similar construction such that entire fluid circuit shall be of compatible nonferrous materials.

ELECTRICAL WIRING

Unit supplied with 1/2" Conduit Knockouts.

GUARANTEE

Shall be 18 months on all parts.

MADE WITH PRIDE IN THE U.S.A.

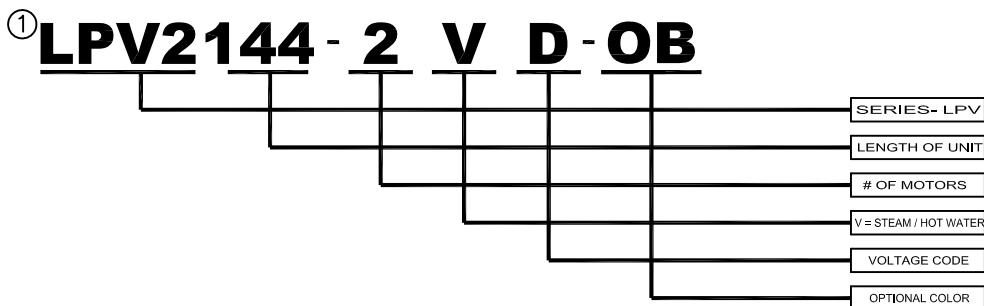
*- For Ampacity Multiply FLA X 1.25

** - 17% Reduction in Performance on units with 50Hz.

ACCESSORIES

Refer to optional features and accessories page.

EXAMPLE



HEATING OPTION	CODE
1 ROW STEAM OR HOT WATER	V

SIZE	VOLTAGE	CODE
30"-144"	115/1/60	A
30"-144"	208-230/1/60	D
30"-144"	220/1/50	U

COLOR	CODE
OBSIDIAN BLACK	OB
TITANIUM SILVER	TS
PEARL WHITE	PW
SPARTAN BRONZE	SB
BATTLESHIP GRAY	BG