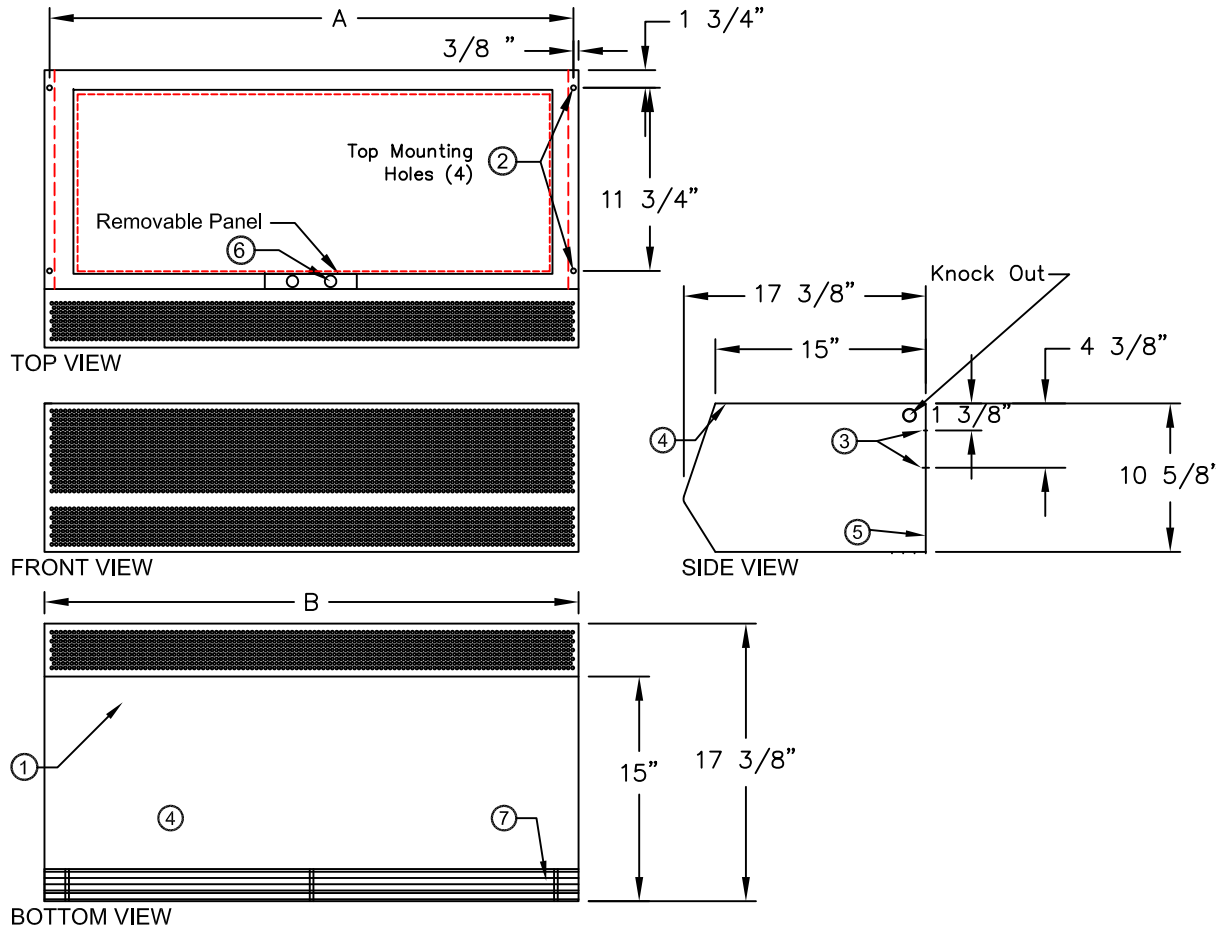


NOTES:

- ① This product is designed to meet the National Electric Code (NEC) and is ETL Listed for the US and Canada and bear the CE mark.
- ② 7/16" top mounting holes (4) provided, (2) on each end.
- ③ 1/2" key hole slots and 7/16" mounting holes (4) provided, (2) on each end for wall mounting.
- ④ All units have a self contained one piece cabinet, fire retardant and corrosion proof paint lock metal double protected with baked on Obsidian Black color, rust preventative electrostatic polyurethane powder coating.
- ⑤ Cabinet has sufficient strength for fastening to wall on both ends without intermediate support.
- ⑥ Control panel is prewired and premounted inside the cabinet. Optional remote mounted available.
- ⑦ Unit is to be installed such that air flow is unobstructed. Air discharge nozzle contains adjustable air directional vanes with 40° sweep front to back.
- ⑧ Wall mounted 24 volt thermostat with remote "heat/off/fan" switch is shipped loose and field installed. Terminal block provided inside control panel.
- ⑨ Circuit protected as per NEC by others.
- ⑩ Optional door limit switch is field installed and is to be wired to the control panel. Switch to be mounted such that the air curtain turns on as door begins to open. A time delay is highly recommended with the optional door limit switch.

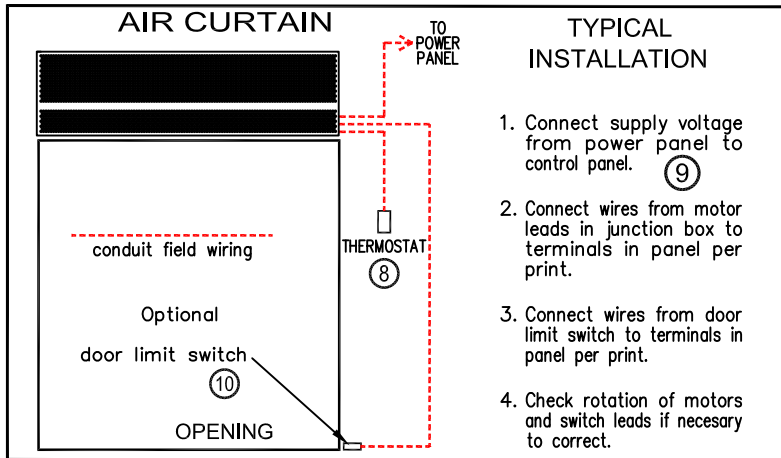


-2 & -3 designates the number of motors.

*NOTE: Intake screen size and number varies with unit length.



MODEL NUMBER	MOUNTING CENTERS A	LENGTH B
STD236-1E	35 1/4"	36"
STD242-1E	41 1/4"	42"
STD248-1E	47 1/4"	48"
STD260-1E	59 1/4"	60"
STD260-2E	59 1/4"	60"
STD264-2E	63 1/4"	64"
STD272-2E	71 1/4"	72"
STD278-2E	77 1/4"	78"
STD284-2E	83 1/4"	84"
STD296-2E	95 1/4"	96"
STD296-3E	95 1/4"	96"
STD2108-3E	107 1/4"	108"
STD2120-3E	119 1/4"	120"
STD2144-3E	143 1/4"	144"
STD2144-4E	143 1/4"	144"



1. Connect supply voltage from power panel to control panel. ⑨
2. Connect wires from motor leads in junction box to terminals in panel per print.
3. Connect wires from door limit switch to terminals in panel per print.
4. Check rotation of motors and switch leads if necessary to correct.

PROJECT	Model No.:
LOCATION	Drawing No.:
ARCHITECT	Date
ENGINEER	Sheet of
	Drawn By:
	Checked By:



14716 S. BROADWAY • GARDENA, CA 90248 • USA
 TEL:(310) 532-1555 • (800) 421-1266 • FAX:(310) 324-3030
 Web Site: www.marsair.com • E-mail:info@marsair.com

STANDARD2 (STD2) 1/2 HP ELECTRIC HEATED MODELS

JOB: _____

ARCHITECT/ENGINEER: _____

DRWG.: _____

CONTRACTOR: _____

SHEET ____ **of** ____ **DATE:** _____

MARK	HEATED MODEL NUMBER ①	NO. REQ'D	LENGTH	WEIGHT (LBS)	MOTOR FAN DATA								REMARKS		
					MOTOR HP	MOTOR RPM**	VOLTS & PHASE ②	HEATER INPUT, kW ②	TOTAL AMPS ②	TEMP RISE °F ②	MAX FPM** @ NOZZLE	MAX CFM** @ NOZZLE		dBA Measured 10 ft. from Nozzle	
	STD236-1E		3'	90	1/2	1750						3400	2550	66	
	STD242-1E		3' 6"	95	1/2	1750						2925	2550	66	
	STD248-1E		4'	100	1/2	1750						2550	2550	66	
	STD260-1E		5'	115	1/2	1750						2040	2550	66	
	STD260-2E		5'	130	Two 1/2	1750						3825	5100	68	
	STD264-2E		5' 4"	150	Two 1/2	1750						3825	5100	68	
	STD272-2E		6'	180	Two 1/2	1750						3475	5100	68	
	STD278-2E		6' 6"	185	Two 1/2	1750						3200	5100	68	
	STD284-2E		7'	190	Two 1/2	1750						2925	5100	68	
	STD296-2E		8'	225	Two 1/2	1750						2550	5100	68	
	STD296-3E		8'	240	Three 1/2	1750						3825	7650	71	
	STD2108-3E		9'	270	Three 1/2	1750						3400	7650	71	
	STD2120-3E		10'	280	Three 1/2	1750						3060	7650	71	
	STD2144-3E		12'	330	Three 1/2	1750						2550	7650	71	
	STD2144-4E		12'	360	Four 1/2	1750						3825	10200	73	

NOTES: ① Refer to model chart. ② Refer to heater availability chart for parameter values.

EQUIPMENT SPECIFICATIONS - Standard Features

GENERAL: Air curtain shall be a Mars® Air Systems brand air curtain: Type STD2 Electric Heated.

APPROVALS: Air curtain shall meet the requirements of the National Electric Code. (N.E.C.), ETL Listed for US & Canada, and bear the CE mark.

CABINET

Cabinet shall be a self contained one piece housing with sufficient strength for fastening to wall on both ends without intermediate support. Cabinet constructed of fire retardant, corrosion proof paint lock metal double protected with baked on Obsidian Black color, rust preventative electrostatic polyurethane powder coating. Discharge air outlet nozzle is internal wedge shaped containing adjustable air directional aluminum vanes with 40° sweep front to back. Motor/Fan assembly to be easily accessible for maintenance.

ELECTRIC HEATER COIL

The heating coils shall be an open coil type for rapid temperature rise to be located in the air curtain's intake directly in the air stream. Thermal overload protection shall be provided by manual reset protectors, which shall directly disconnect the electric power from the heaters in the event of an overload. Secondary protectors in the heating contactor shall not be substituted.

MOTORS AND BLOWER WHEELS

Motor(s) shall be totally enclosed air over (TEAO) type suitable for continuous heavy duty, all angle operation. Construction shall include sealed lifetime pre-lubricated ball bearings, resilient mounted and protected by an automatic reset thermal overload switch. Motor(s) to have quick disconnect plug for fast and easy removal of motor/fan assembly for inspection and cleaning. Motor(s) to have double extended shaft and direct drive, double inlet, dynamically balanced, forward curved squirrel cage blower wheels.

ELECTRIC WIRING

Air curtain shall contain prewired, control panel ready for power connection. Panel is internal mounted on right hand side of unit unless otherwise specified. If panel is mounted external, control panel adds 4 inches to unit's overall length and requires an additional 20 inches of clearance from the end of the cabinet for access to panel. Unit shall include a 24 volt thermostat with "heat/off/fan" switch, shipped loose and field installed. Terminal block provided inside panel.

GUARANTEE

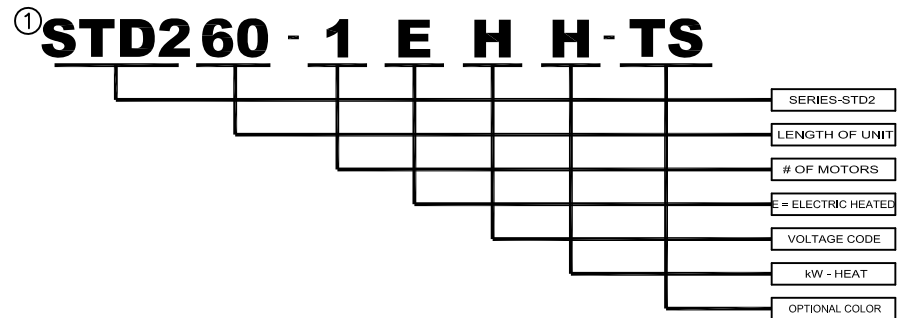
Shall be 18 months on all parts.

ACCESSORIES

Refer to the optional features and accessories page.

**** - 17% Reduction in Performance on units with 50Hz.**

EXAMPLE



SIZE	VOLTAGE	CODE
36"-96"(2 MTR)	208/1/60	B
36"-96"(2 MTR)	230/1/60	C
36"-144"	208/3/60	E
36"-144"	230/3/60	F
36"-144"	460/3/60	H
36"-144"	575/3/60	I

KW	CODE
6	B
12	H
24	N
36	S
48	T

COLOR	CODE
OBSIDIAN BLACK	OB
TITANIUM SILVER	TS
PEARL WHITE	PW
SPARTAN BRONZE	SB
BATTLESHIP GRAY	BG

MADE WITH PRIDE IN THE USA

STANDARD2 (STD2) 1/2 HP ELECTRIC HEATED MODELS



STANDARD2 MODEL HEATER CHART

ELECTRIC HEATER DATA

MODEL	kW	208V, 1Ø Amp (Ampacity)	230V, 1Ø Amp (Ampacity)	kW	208V, 3Ø Amp (Ampacity)	230V, 3Ø Amp (Ampacity)	460V, 3Ø Amp (Ampacity)	575V, 3Ø Amp (Ampacity)	TEMP RISE °F 1Ø/3Ø
STD236-1E	6	31.3 (39.2)	28.6 (35.7)	12	35.8 (44.8)	32.6 (40.8)	15.9 (19.8)	12.7 (15.9)	7.5/15
STD242-1E	6	31.3 (39.2)	28.6 (35.7)	12	35.8 (44.8)	32.6 (40.8)	15.9 (19.8)	12.7 (15.9)	7.5/15
STD248-1E	6	31.3 (39.2)	28.6 (35.7)	12	35.8 (44.8)	32.6 (40.8)	15.9 (19.8)	12.7 (15.9)	7.5/15
STD260-1E	6	31.3 (39.2)	28.6 (35.7)	12	35.8 (44.8)	32.6 (40.8)	15.9 (19.8)	12.7 (15.9)	7.5/15
STD260-2E	12	62.8 (78.5)	57.2 (71.5)	24	71.6 (89.6)	65.2 (81.6)	31.8 (39.6)	25.4 (31.8)	7.5/15
STD264-2E	12	62.8 (78.5)	57.2 (71.5)	24	71.6 (89.6)	65.2 (81.6)	31.8 (39.6)	25.4 (31.8)	7.5/15
STD272-2E	12	62.8 (78.5)	57.2 (71.5)	24	71.6 (89.6)	65.2 (81.6)	31.8 (39.6)	25.4 (31.8)	7.5/15
STD278-2E	12	62.8 (78.5)	57.2 (71.5)	24	71.6 (89.6)	65.2 (81.6)	31.8 (39.6)	25.4 (31.8)	7.5/15
STD284-2E	12	62.8 (78.5)	57.2 (71.5)	24	71.6 (89.6)	65.2 (81.6)	31.8 (39.6)	25.4 (31.8)	7.5/15
STD296-2E	12	62.8 (78.5)	57.2 (71.5)	24	71.6 (89.6)	65.2 (81.6)	31.8 (39.6)	25.4 (31.8)	7.5/15
STD296-3E	--	-- (--)	-- (--)	36	107.5 (134.4)	97.8 (122.4)	47.7 (59.4)	38.1 (47.7)	--/15
STD2108-3E	--	-- (--)	-- (--)	36	107.5 (134.4)	97.8 (122.4)	47.7 (59.4)	38.1 (47.7)	--/15
STD2120-3E	--	-- (--)	-- (--)	36	107.5 (134.4)	97.8 (122.4)	47.7 (59.4)	38.1 (47.7)	--/15
STD2144-3E	--	-- (--)	-- (--)	36	107.5 (134.4)	97.8 (122.4)	47.7 (59.4)	38.1 (47.7)	--/15
STD2144-4E	--	-- (--)	-- (--)	48	143.2 (179.0)	130.4 (163.0)	63.6 (79.5)	50.8 (63.5)	--/15

For Other Wattages Available Consult Factory

STANDARD2 (STD2) 1/2 HP ELECTRIC HEATED MODELS