

Stands and Leg Sets

Drop-In Conversion Stands, Cabinet Stands, Ictainer Leg Sets



Standard Features

- Constructed of sturdy stainless steel.
- Drop-In Stands and Ictainer Leg Sets take only minutes to assemble from their "knocked-down" shipping packages that save money on shipping costs, storage space requirements and delivery costs.
- Ice-Combo Cabinet Stands are shipped preassembled.

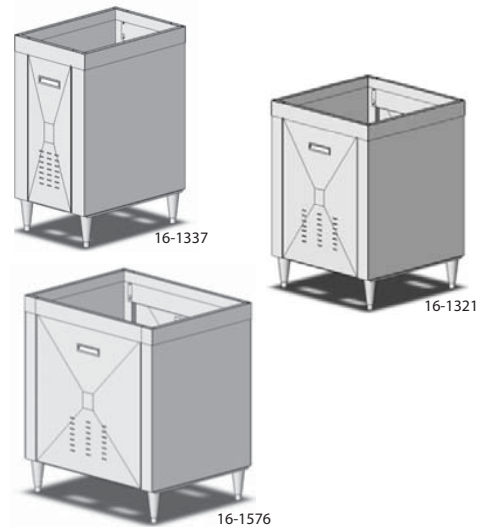


ISO 9001:2000
Quality System
Certified

Specifications

Drop-In Stands

Part Number	Width	Height	Depth	Shipping
16-1337	15" (38.1cm)	36" (91.4cm)	22" (55.9cm)	Flat
16-1321	23" (58.4cm)	36" (91.4cm)	23" (58.4cm)	Flat
16-1576	30" (76.2cm)	36" (91.4cm)	23" (58.4cm)	Flat



Ictainer Leg Sets

Part Number	Width	Height	Depth	Shipping
15-2897-UNIV Cornelius & Lancer	23" (58.4cm)	36" (91.4cm)	23" (58.4cm)	Flat
15-2897-CAP Capital	23" (58.4cm)	36" (91.4cm)	23" (58.4cm)	Flat
15-2897-SER Servend	23" (58.4cm)	36" (91.4cm)	23" (58.4cm)	Flat
15-2898-UNIV Cornelius & Lancer	15" (38.1cm)	36" (91.4cm)	22" (55.9cm)	Flat
15-2898-CAP Capital	15" (38.1cm)	36" (91.4cm)	22" (55.9cm)	Flat
15-2898-SER Servend	15" (38.1cm)	36" (91.4cm)	22" (55.9cm)	Flat



Ice-Combo Cabinet Stands

Part Number	Width	Height	Depth	Shipping
16-1578	22" (55.9cm)	36" (91.4cm)	30" (76.2cm)	Assembled
16-1579	30" (76.2cm)	36" (91.4cm)	30" (76.2cm)	Assembled

