



MDH-302 • MDH-402 Countertop Ice/Beverage Dispensers

MDH-302 • MDH-402 Countertop Ice/Beverage Dispensers



MDH-302

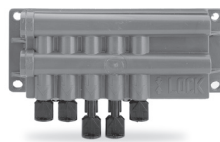


MDH-402

Servend's MDH Series features durable stainless steel ice bin and exterior construction and provides up to twenty valves with 400 lbs. of ice storage for your highest volume accounts.

Standard Features

- Patented Rocking Chute™ simplifies ice dispensing and storage.
- Multi-port flex manifold adds carb/non-carb flexibility. Fast flavor change-overs reduce service complexity.
- Accessible manual fill front bin extension allows for easier filling of ice bin.
- Ambient capable syrup lines are great for juice, tea, or other beverages.
- Three merchandisers available - 12.00" (30.48 cm), 24.00" (60.96 cm) and 34.00" (86.36 cm) tall - to create a beverage focal point.



Servend's Flexible Beverage Manifold



ISO 9001:2000
Quality System
Certified

2100 Future Drive
Sellersburg, IN 47172 USA

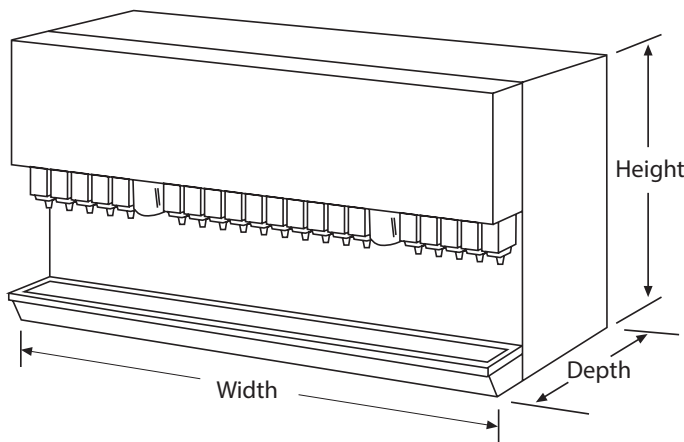
Tel: 812-246-7000
Fax: 812-246-7024

www.manitowocbeverage.com/us



Specifications

	MDH-302	MDH-402
Standard Features	Key Switch, Drain Kits, 12.00" tall lighted merchandiser, timed agitation, Flomatic 424 Beverage Valves	
Approximate Shipping Weights	433 lbs. / 197 kgs.	528 lbs. / 240 kgs.
Approximate Countertop Weight (w/o ice)	382 lbs. / 174 kgs.	466 lbs. / 212 kgs.
Ice Storage Capacity	Up to 300 lbs. / 136 kgs.	Up to 400 lbs. / 182 kgs.
Electrical Requirements	Dispenser 12T: 120/60Hz/4.5FLA 24T: 120/60Hz/4.5FLA 34T: 120/60Hz/5.0FLA	
Drain	Two 0.75" (1.91 cm) PVC (N.P.T.) drain fittings extend from drain pan. Ice bin drains directly into drain pan for front clean out, no hook up necessary.	
Ice Machine Compatibility	Front or side manual fill or top mount with compatible 30.00" (76.20 cm) wide ice machine. Top mounted ice machines may reduce storage capacity. Contact distributor for baffle and ice maker lid requirements for top mounted ice machine applications.	Front or side manual fill or top mount with compatible 30.00" (76.20 cm) or 48.00" (121.92 cm) wide ice machine. Top mounted ice machines may reduce storage capacity. Contact distributor for baffle and ice maker lid requirements for top mounted ice machine applications
Graphic Area Dimensions	<p>Physical trim</p> 12T: 42.63" W x 11.00" H / 108.28 W x 27.94 H (cm) 24T: 42.50" W x 23.81" H / 107.95 W x 60.48 H (cm) 34T: 42.50" W x 33.81" H / 107.95 W x 85.88 H (cm)	<p>Physical trim</p> 12T: 59.75" W x 11.00" H / 151.77 W x 27.94 H (cm) 24T: 59.75" W x 23.81" H / 151.77 W x 60.48 H (cm) 34T: 59.75" W x 33.81" H / 151.77 W x 85.88 H (cm)
	<p>Visual area</p> 12T: 41.75" W x 10.00" H / 106.05 W x 25.40 H (cm) 24T: 41.62" W x 22.88" H / 105.71 W x 58.12 H (cm) 34T: 41.88" W x 33.19" H / 106.38 W x 84.30 H (cm)	<p>Visual area</p> 12T: 59.13" W x 10.38" H / 150.19 W x 26.37 H (cm) 24T: 59.13" W x 23.19" H / 150.19 W x 58.90 H (cm) 34T: 59.13" W x 32.81" H / 150.19 W x 83.34 H (cm)
Manifold	2-1-1-2 Flexible left to right	16 Valve 2-1-1-1-3 Flexible left to right 20 Valve 3-1-2-1-3 Flexible left to right
Options	Other options include; water lever, carbonator, regulator and installation kits, Ice machine adaptor kits, 24.00" (60.96 cm) and 34.00" (86.36 cm) extended merchandiser, Americans with Disabilities Act (ADA) compliant selection touchpads. High Humidity Enhancements available for tropical regions.	



	MDH-302	MDH-402	MDH-302 HHE	MDH-402 HHE
Width	42.75"	60.00"	45.25"	60.00"
	108.6 cm	152.4 cm	114.9 cm	152.4 cm
Depth	30.50"	30.50"	30.63"	30.63"
	77.5 cm	77.5 cm	77.8 cm	77.8 cm
Height*	33.00"	32.25"	33.13"	32.25"
	83.8 cm	81.9 cm	84.1 cm	81.9 cm

*Add 1" (2.54 cm) for full lid.

2747K ©2014 Servend 11/14 Continuing product improvement may necessitate change of specifications without notice.