



M-45 • M-90 Countertop Ice Dispensers



M-90



M-45

Servend's ice dispensers feature a simple design, upfront serviceability and quality construction ensures long equipment life.

Standard Features

- Attractive, eye-catching "ice" graphics.
- 45 to 90 lbs. ice storage.
- Patented Rocking Chute™ simplifies ice dispensing and storage.
- Patented paddle wheel ice dispenser technology maximizes counter space and allows more ice to be dispensed from the bin.

Warranty

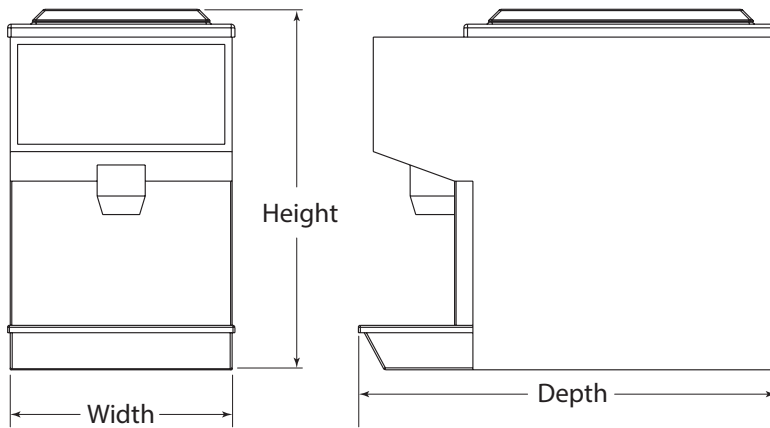
- Dispenser: 2-year limited parts and 1-year limited labor.



Specifications

	M-45	M-90
Standard Features	Stainless steel exterior cabinet with merchandiser and "Ice" sign.	
Shipping Weights	67 lbs. / 30.5 kgs.	116 lbs. / 52.8 kgs.
Ice Storage Capacity	Up to 45 lbs. / 20 kgs.	Up to 90 lbs. / 41 kgs.
Electrical Requirements	120V/60Hz/2.5 FLA, 220V/50Hz/1 also available.	
Drain	Two 3/4" (1.91 cm) PVC drain fittings. One pre-installed 3/4" (1.91 cm) PVC (N.P.T.) drain fitting extends from drain pan; a second extends from bin.	
Ice Cube Compatability	Dispenses any size cube ice up to one inch square. Flake ice is not recommended.	
Service	Motor, drain and electrical connections are front serviceable.	
Options	Lighted merchandiser, 4" (10.17 cm) leg kit, extended splash panel and push button ice dispense. Water dispense valve	

*M-45 and M-90 ice dispensers will not accommodate a top-mounted ice machine.
Beverage valves are not available on M-45 and M-90 ice dispensers.
Manual fill only.*



	M-45	M-90
Width	15.00" 38.10 cm	15.00" 38.10 cm
Depth	28.00" 71.10 cm	28.00" 71.10 cm
Height	24.25" 61.60 cm	32.00" 81.30 cm

3064F ©2015 Servend & 15 Continuing product improvement may necessitate change of specifications without notice.