



Flywheel Slicer AX-VOL 12 & AX-VOL 14



AX-VOL 12 & AX-VOL 14 – Flywheel Slicer

The Axis flywheel slicer is built in aluminum with internal parts of stainless steel. This glossy red paint offers the advantage to be easily cleaned for absolute sanitation. The machine is hand operated and therefore may be used in places without power supply. The incorporated sharpener makes the sharpening simple, keeping the blade consistent while ensuring the perfect cut!

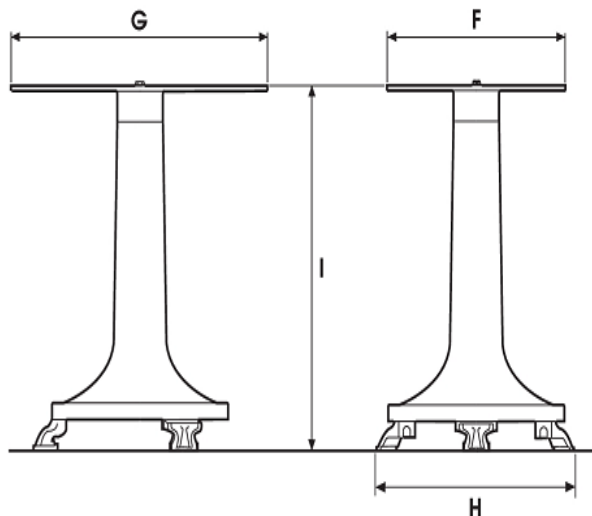
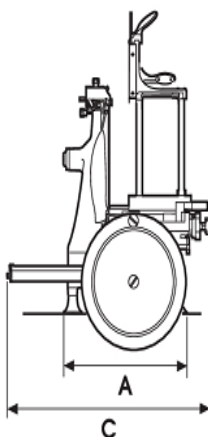
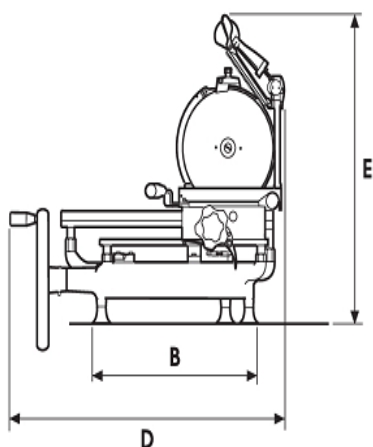
STANDARD FEATURES

- Self-locking arm
- Fixed ring guard
- Cutting thickness 0 -2.6 mm

Model	Blade Size	Ship Weight
AX –VOL 12	12”	122 lbs.
AX –VOL 14	14”	210 lbs.



**OPTIONAL
Pedestal Stand**



Dimensions: (in.)

VOL 12 / VOL 14

- A: 13.4 / 14.5
- B: 15.7 / 24
- C: 23.6 / 27.2
- D: 28.3 / 33.5
- E: 29.1 / 25.6
- F: 22.8
- G: 28
- H: 27.5
- I: 33.5

MVP GROUP CORPORATION
 5659 Royalmount Ave. Montreal, QC Canada H4P 2P9
 Tel: 514-737-9701 888-275-4538 Fax: 514-342-3854
 www.mvpgroupcorp.com / sales@mvpgroupcorp.com

